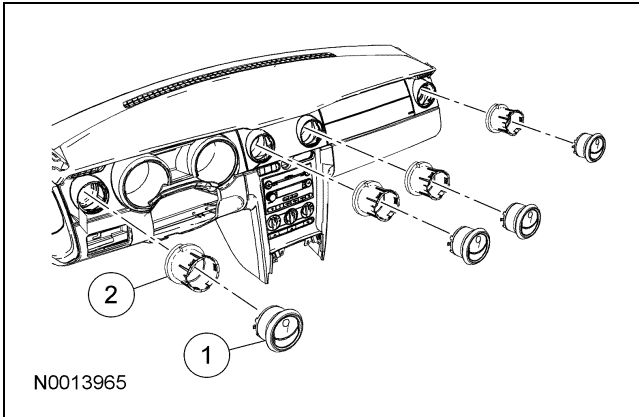


REMOVAL AND INSTALLATION

Instrument Panel Registers



| Item | Part Number | Description |
|------|-------------|---|
| 1 | — | Instrument panel register barrel (4 required, part of 19893) |
| 2 | — | Instrument panel register housing (4 required, part of 19893) |

Removal and Installation

1. Pull and remove the instrument panel register barrel.
 2. Release the tabs and remove the instrument panel register housing.
 3. To install, reverse the removal procedure.
-