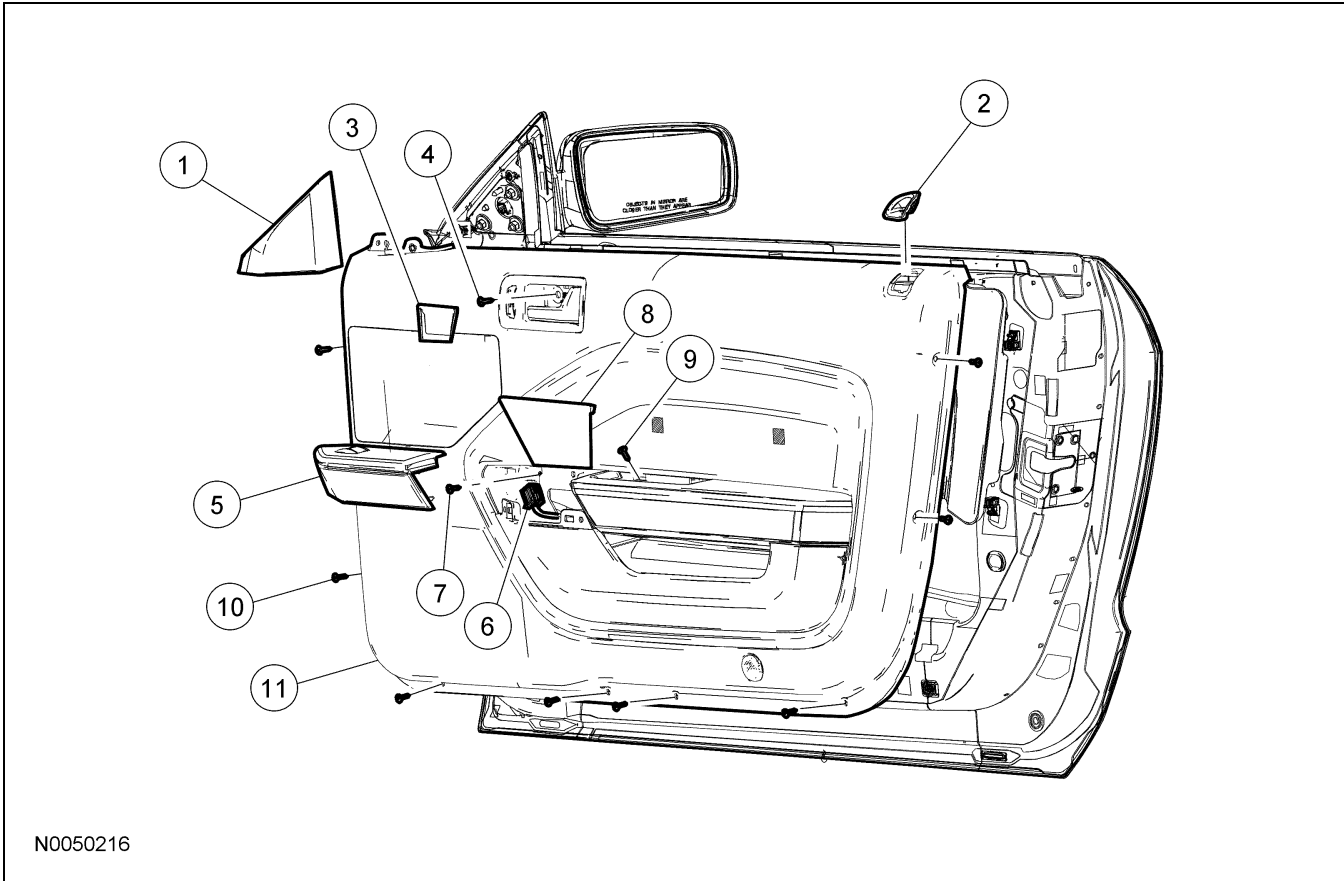


## REMOVAL AND INSTALLATION

### Door Trim Panel



Item	Part Number	Description
1	17D698/17D699	Sail panel (RH/LH)
2	21999	Door lock control knob bezel (RH/LH)
3	22620/22621	Interior door handle cover (RH/LH)
4	N807780	Door trim panel bolt
5	14527/14528	Window control switch housing (RH/LH)
6	—	Window control switch electrical connector
7	W709996	Door trim panel screw
8	6320456/ 6320457	Door trim panel handle cover (RH/LH)
9	N807780	Door trim panel bolt
10	W709996	Door trim panel screws (8 required)
11	23942/23943	Door trim panel (RH/LH)

#### Removal and Installation

- Remove the sail panel.
  - If equipped, disconnect the exterior mirror control switch electrical connector.
- Remove the interior door handle cover and the door trim panel bolt.
- Remove the window control switch housing.
  - Disconnect the electrical connector.
- Remove the door trim panel center screw.
- Remove the door trim panel handle cover and the door trim panel bolt.

---

**REMOVAL AND INSTALLATION (Continued)**

6. Remove the 8 outer door trim panel screws and the door trim panel.
    - Disconnect the interior door handle actuating cable.
    - If equipped, disconnect the subwoofer electrical connector.
  7. To install, reverse the removal procedure.
-