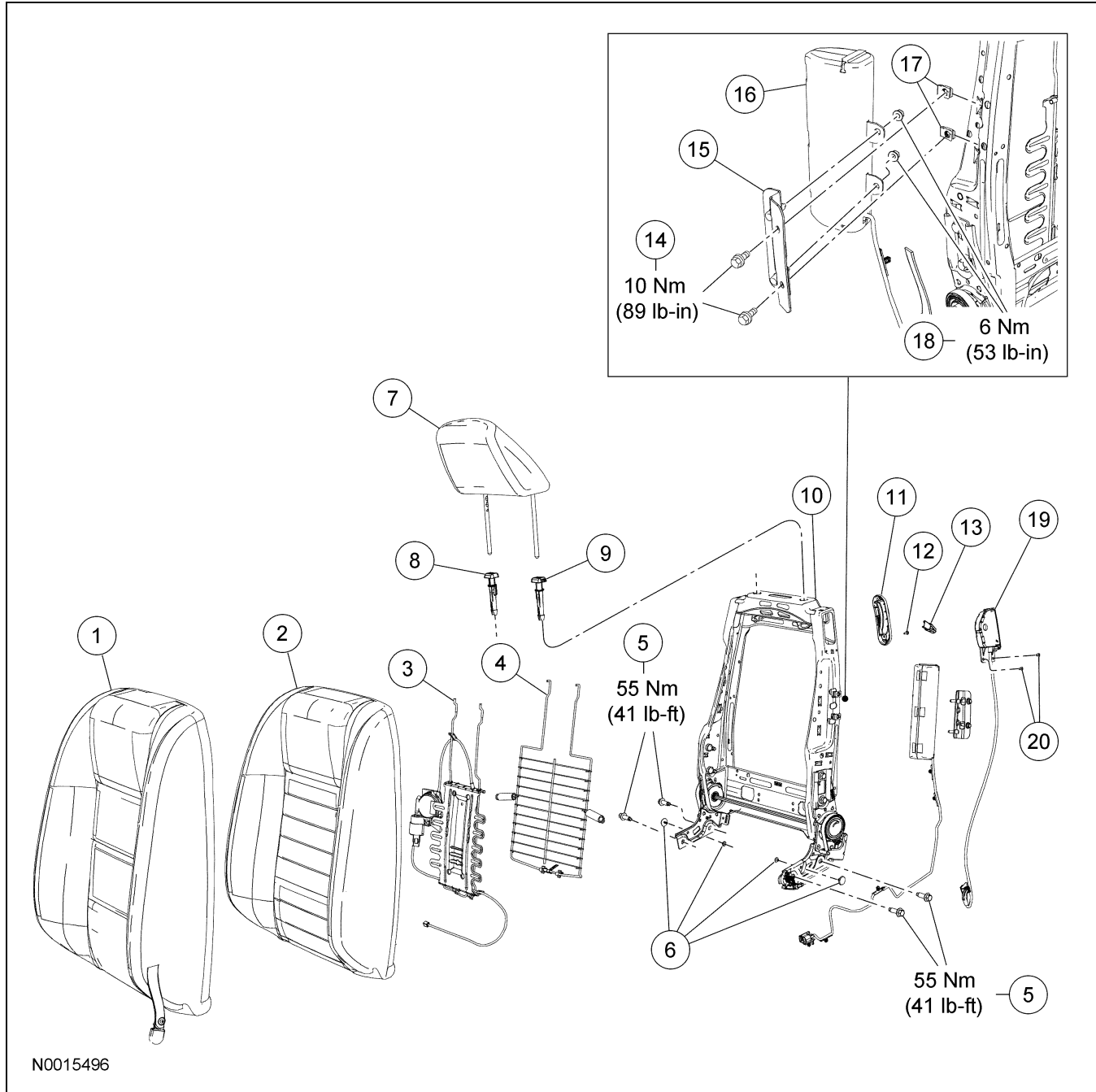


REMOVAL AND INSTALLATION

Seat — Exploded View, Front

Front Seat Backrest

NOTE: Driver backrest shown, passenger backrest similar.



N0015496

Item	Part Number	Description
1	64417	Backrest trim cover
2	64810	Backrest foam pad
3	65500	Lumbar adjust assembly
4	—	Backrest support assembly

(Continued)

Item	Part Number	Description
5	W500633-S	Recliner-to-cushion frame bolts (4 required)
6	—	Plastic rivets
7	611A08	Head restraint assembly
8	—	Inboard head restraint guide

(Continued)

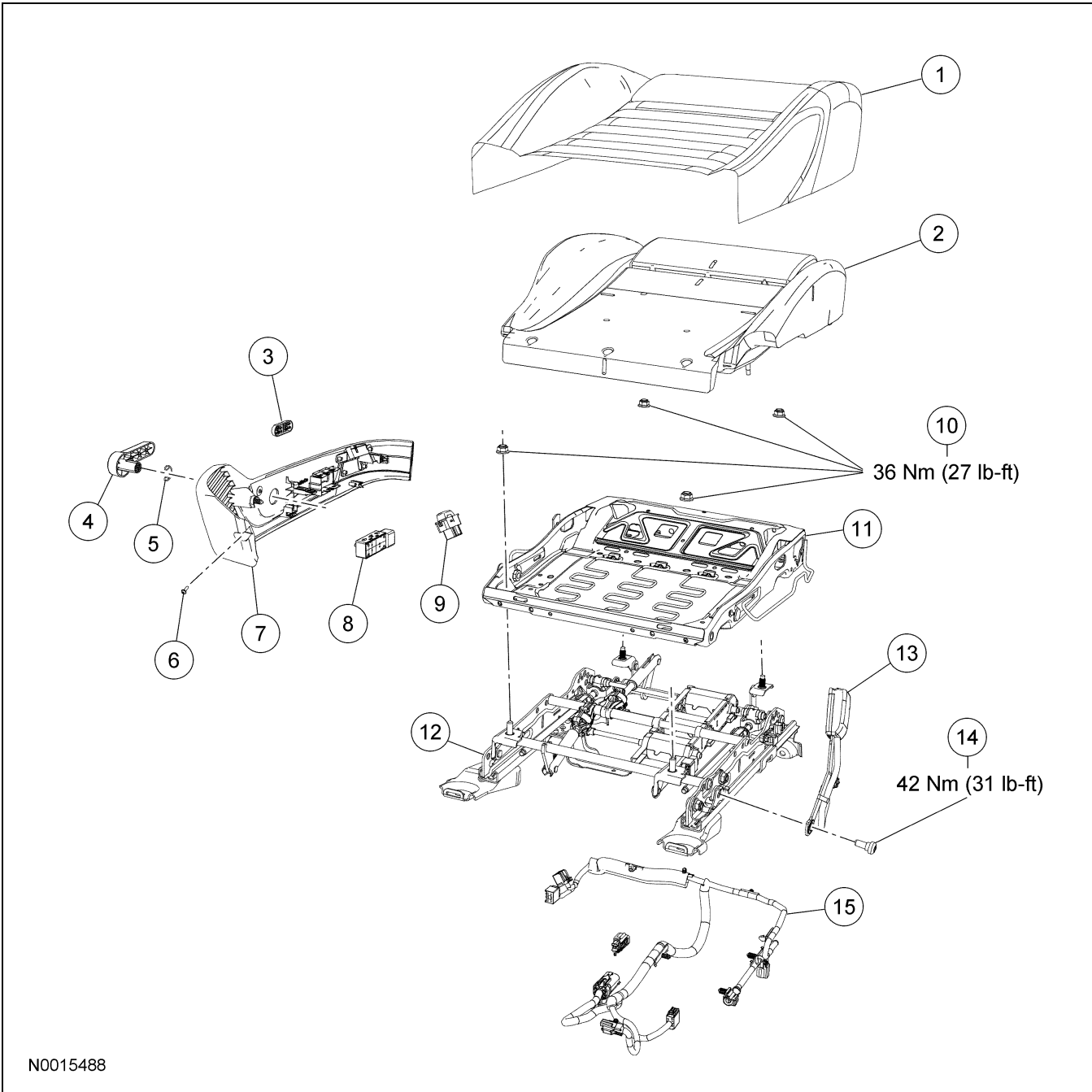
REMOVAL AND INSTALLATION (Continued)

Item	Part Number	Description
9	—	Outboard head restraint guide
10	61018	Backrest frame
11	62672	Backrest recliner release bezel
12	—	Screw
13	62762	Backrest recliner release handle
14	N605892	Side air bag module bolts
15	611D79	Side air bag module bracket

Item	Part Number	Description
16	611D11	Side air bag module
17	W520822	U-nuts
18	—	Side air bag module-to-bracket nuts (part of 611D10)
19	62432	Backrest recliner release
20	—	Rivets

(Continued)

Driver Power Front Seat Cushion



N0015488

REMOVAL AND INSTALLATION (Continued)

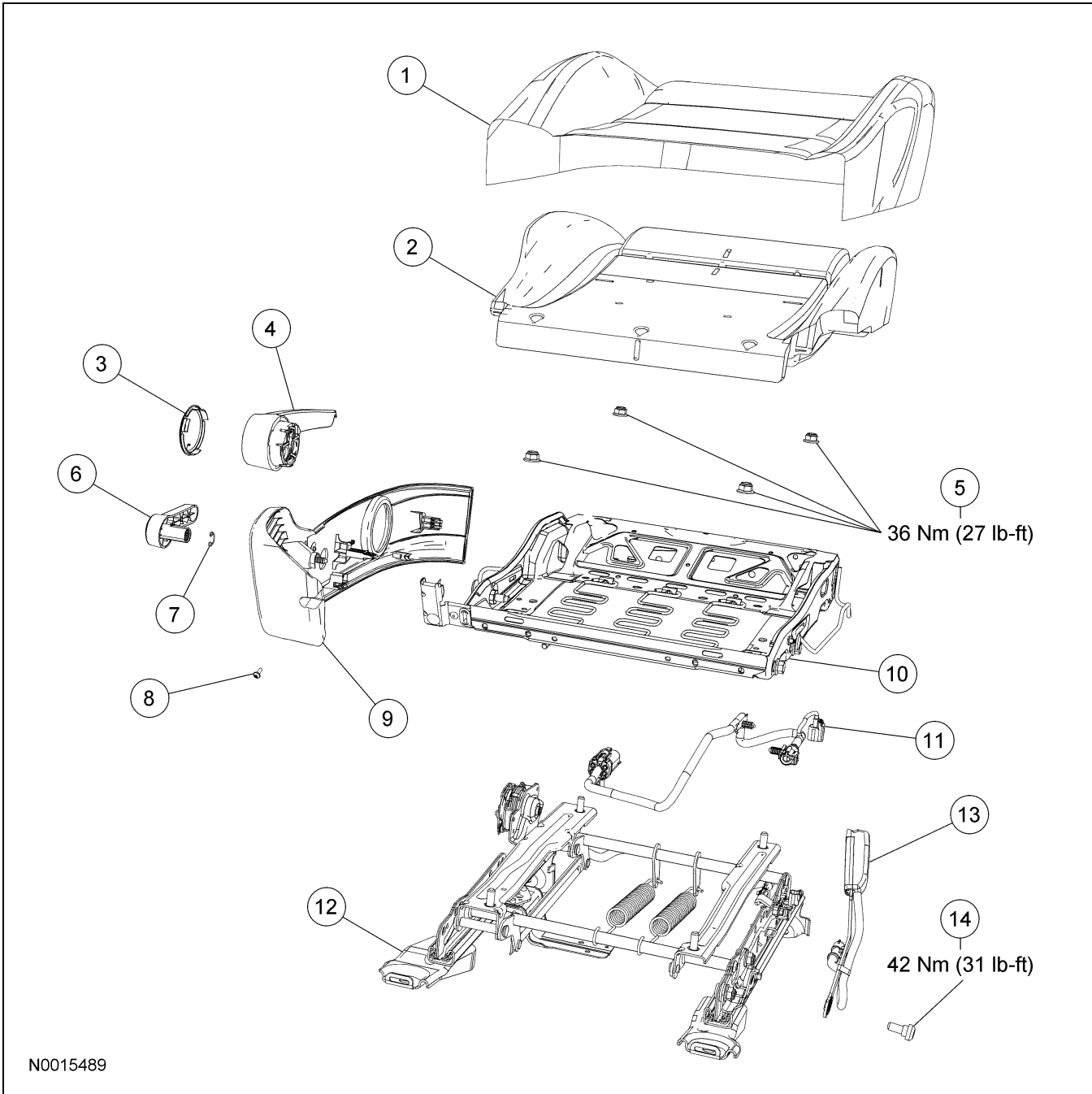
Item	Part Number	Description
1	62901	Cushion trim cover
2	—	Cushion foam pad
3	—	Seat control switch knob (if equipped)
4	62622	Recline handle
5	—	Recline handle clip (part of 62622)
6	—	Screw
7	62187	Cushion side shield
8	14A701	Seat control switch

(Continued)

Item	Part Number	Description
9	619A74	Lumbar control switch (if equipped)
10	W520113-S	Cushion frame-to-seat-track nuts (4 required)
11	63101	Cushion frame
12	61701	Seat track
13	61203	Safety belt buckle
14	—	Safety belt buckle bolt (part of 61203)
15	14A699	Driver seat wire harness

REMOVAL AND INSTALLATION (Continued)

Driver Manual Front Seat Cushion



N0015489

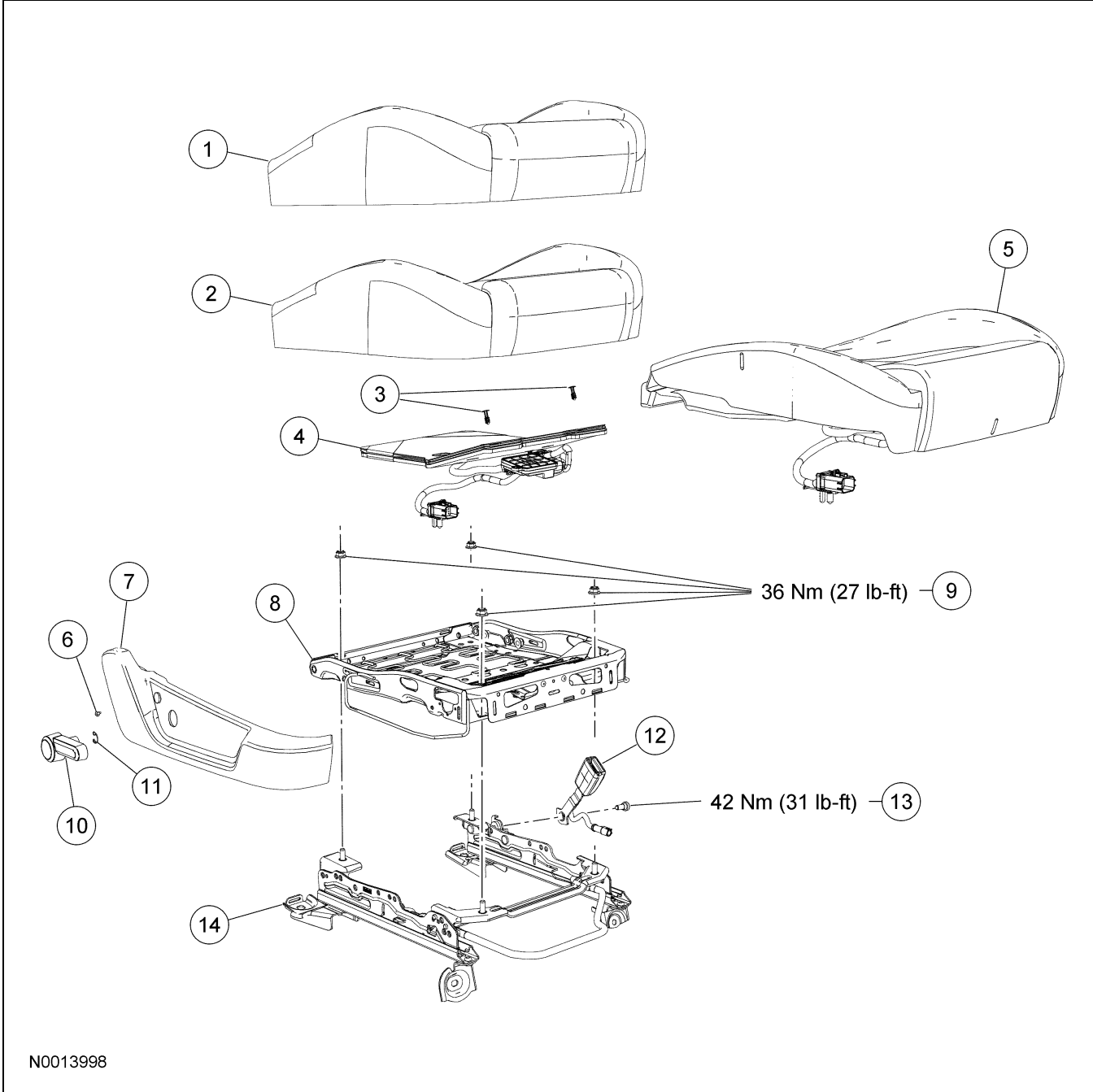
Item	Part Number	Description
1	62901	Cushion trim cover
2	—	Cushion foam pad
3	62768	Manual height adjust handle center cover (if equipped)
4	61753	Manual height adjust handle (if equipped)
5	W520113-S	Cushion frame-to-seat-track nuts (4 required)
6	62622	Recline handle

(Continued)

Item	Part Number	Description
7	—	Recline handle clip (part of 62622)
8	—	Screw
9	62187	Cushion side shield
10	63101	Cushion frame
11	14A699	Driver seat wire harness
12	61701	Seat track
13	61203	Safety belt buckle
14	—	Safety belt buckle bolt (part of 61203)

REMOVAL AND INSTALLATION (Continued)

Passenger Front Seat Cushion



N0013998

Item	Part Number	Description
1	62900	Cushion trim cover
2	—	Cushion foam pad (part of original equipment [OE] occupant classification sensor (OCS))
3	—	Pin-type retainers (part of OE OCS)
4	—	OE OCS
5	632A22	OCS service kit

(Continued)

Item	Part Number	Description
6	—	Screw
7	62186	Side shield
8	63100	Cushion frame
9	W520113-S	Cushion frame-to-seat-track nuts (4 required)
10	62622	Recline handle
11	—	Recline handle clip (part of 62622)

(Continued)

REMOVAL AND INSTALLATION (Continued)

Item	Part Number	Description
12	61203	Safety belt buckle
13	—	Safety belt buckle bolt (part of 61203)
14	618B46	Seat track

1. For additional information, refer to the procedures in this section.