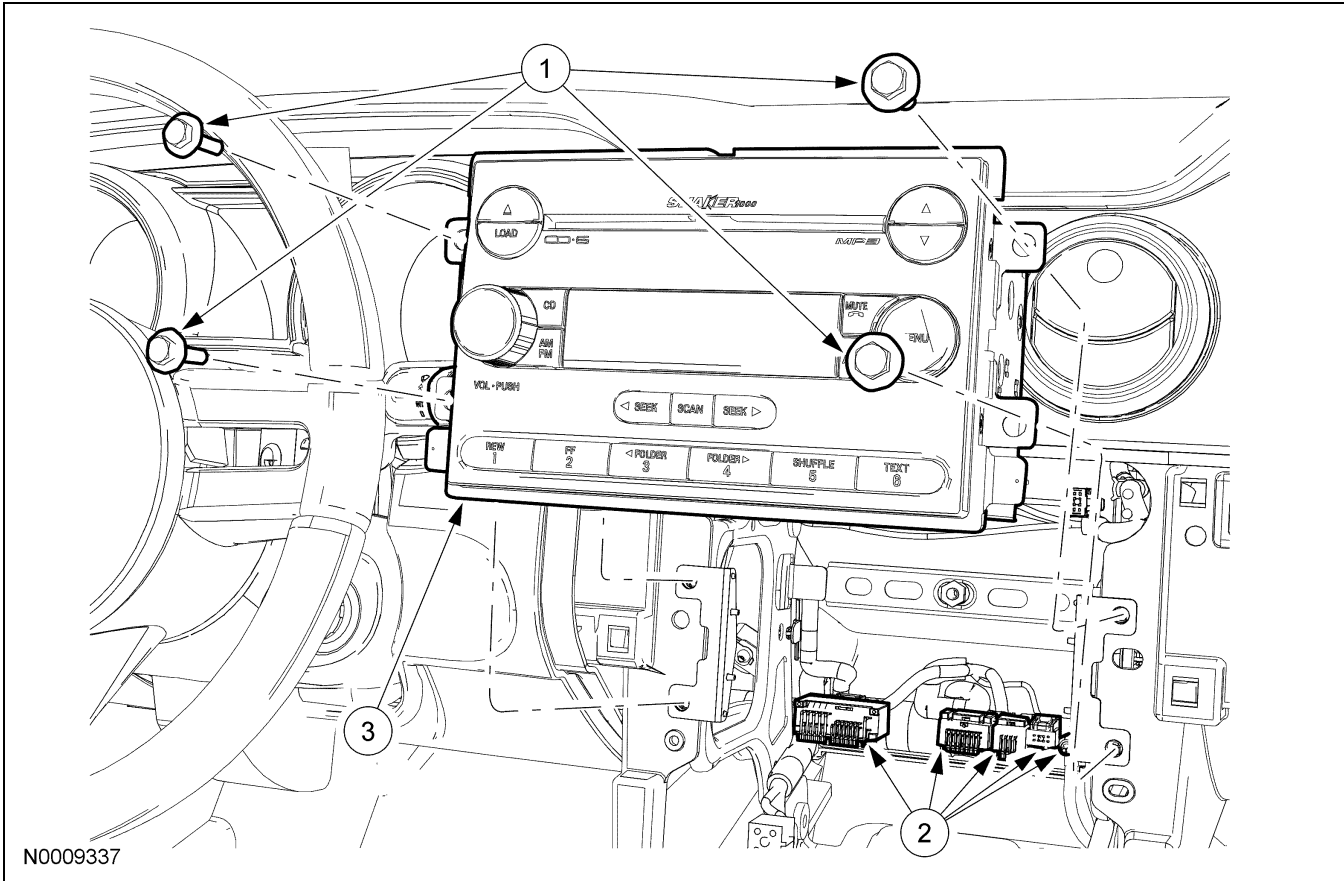


REMOVAL AND INSTALLATION

Audio Unit



Item	Part Number	Description
1	W705314S	Audio unit screws (4 required)
2	14401	Audio unit electrical connectors
3	18C815	Audio unit

2. Remove the 4 screws and the audio unit.
 - Disconnect the electrical connectors and the antenna lead-in cable.
3. To install, reverse the removal procedure.

Removal and Installation

NOTE: Prior to removal of the audio unit, it is necessary to upload the audio unit configuration information to the diagnostic tool. This information needs to be downloaded into the new audio unit once installed. For additional information, refer to Section 418-01.

1. Remove the instrument panel center finish panel. For additional information, refer to Section 501-12.