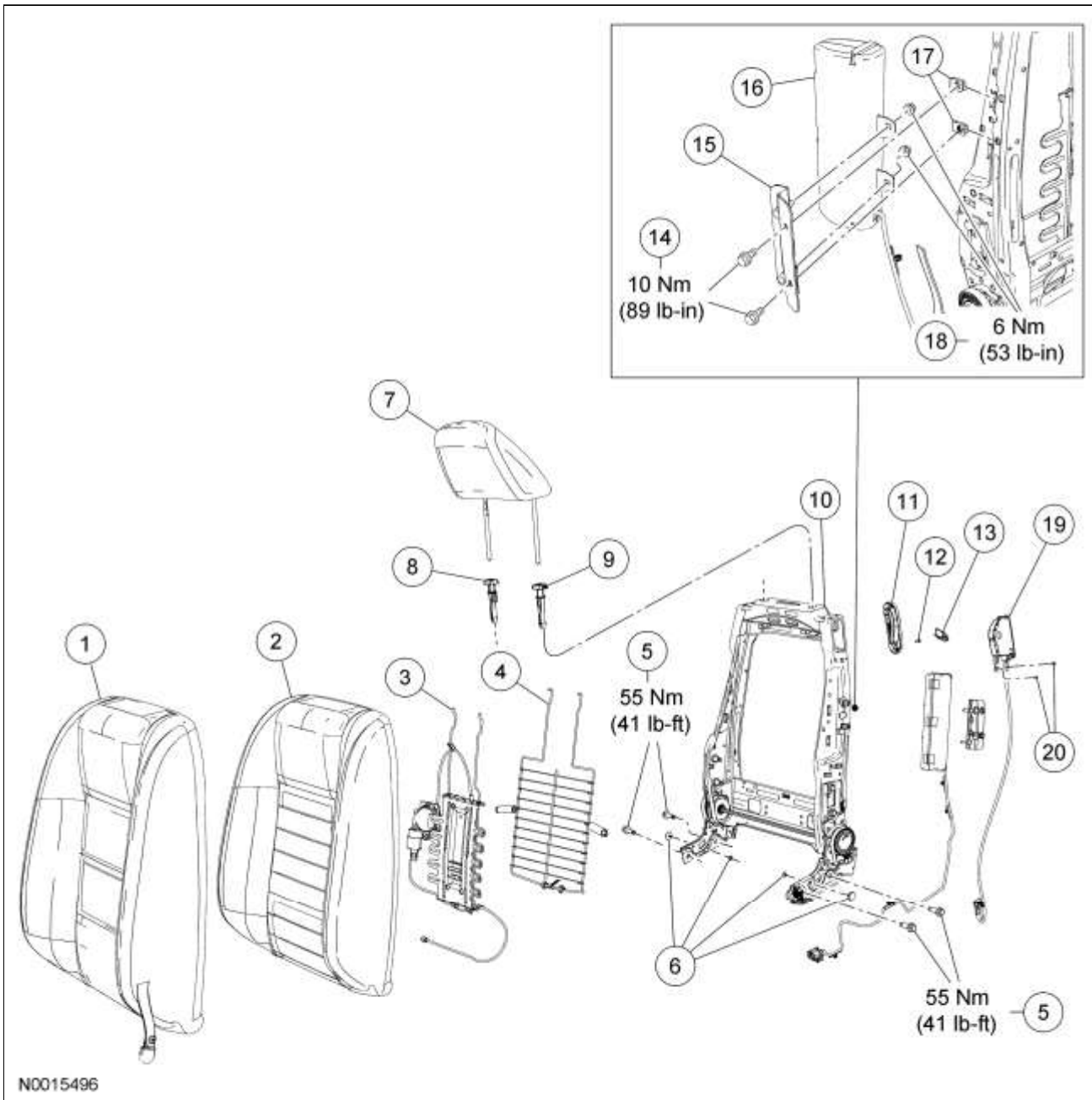


Seat — Exploded View, Front

Front Seat Backrest

NOTE: Driver backrest shown, passenger backrest similar.

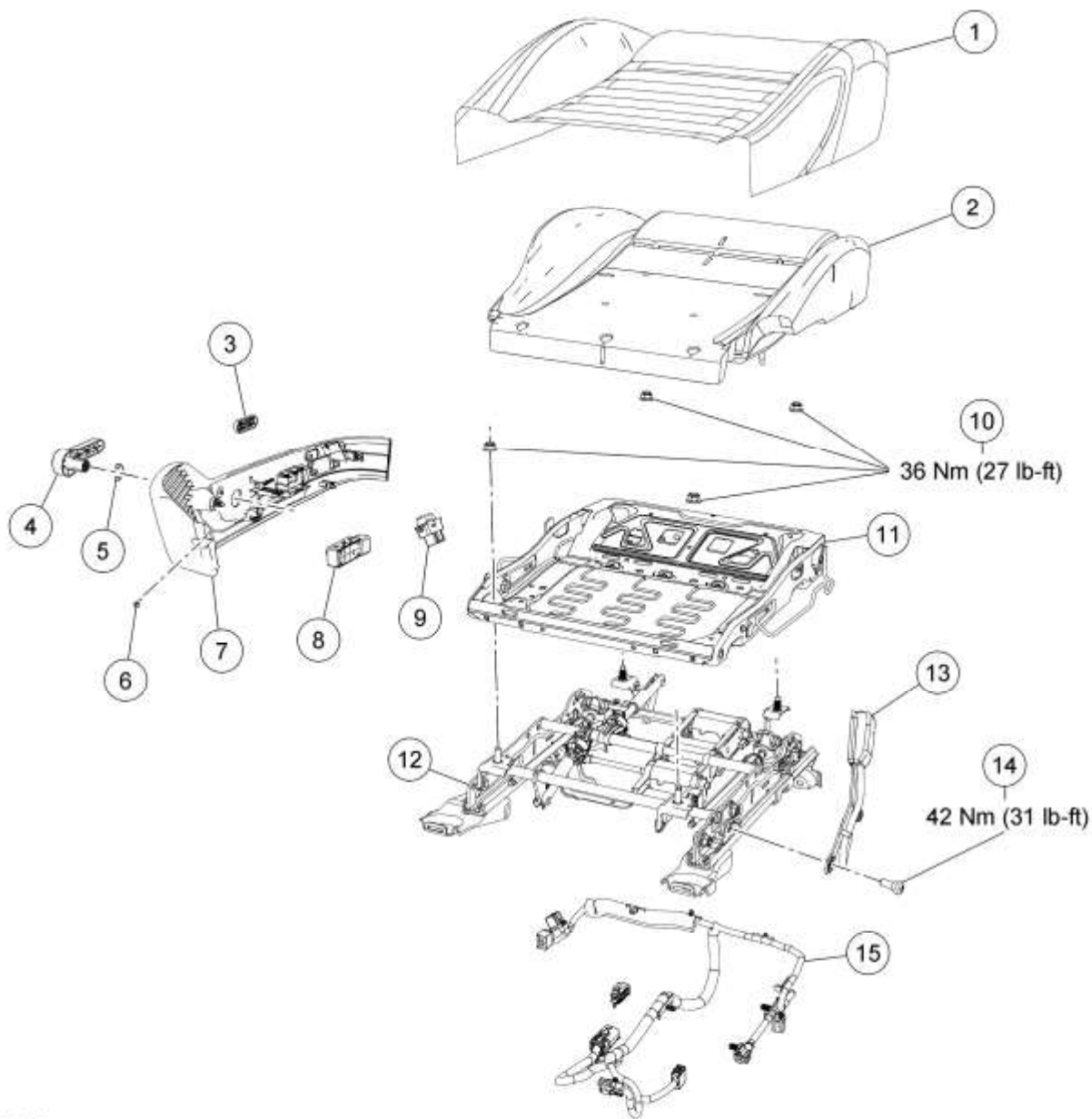


N0015496

Item	Part Number	Description
1	64417	Backrest trim cover
2	64810	Backrest foam pad
3	65500	Lumbar adjust assembly
4	—	Backrest support assembly
5	W500633 -S	Recliner-to-cushion frame bolts (4 required)
6	—	Plastic rivets
7	611A08	Head restraint assembly

8	—	Inboard head restraint guide
9	—	Outboard head restraint guide
10	61018	Backrest frame
11	62672	Backrest recliner release bezel
12	—	Screw
13	62762	Backrest recliner release handle
14	N605892	Side air bag module bolts
15	611D79	Side air bag module bracket
16	611D11	Side air bag module
17	W520822	U-nuts
18	—	Side air bag module-to-bracket nuts (part of 611D10)
19	62432	Backrest recliner release
20	—	Rivets

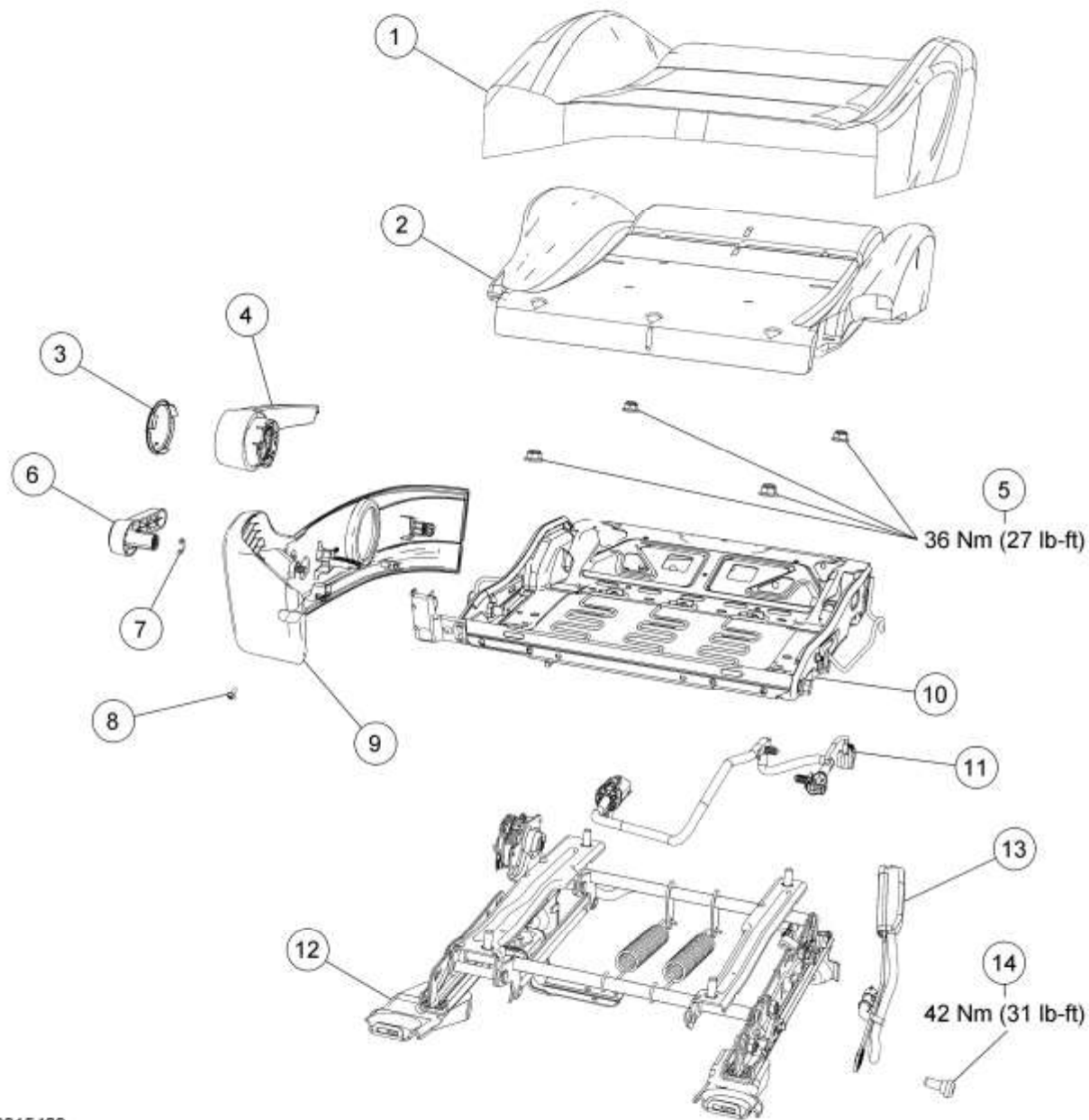
Driver Power Front Seat Cushion



N0015488

Item	Part Number	Description
1	62901	Cushion trim cover
2	—	Cushion foam pad
3	—	Seat control switch knob (if equipped)
4	62622	Recline handle
5	—	Recline handle clip (part of 62622)
6	—	Screw
7	62187	Cushion side shield
8	14A701	Seat control switch
9	619A74	Lumbar control switch (if equipped)
10	W520113 -S	Cushion frame-to-seat-track nuts (4 required)
11	63101	Cushion frame
12	61701	Seat track
13	61203	Safety belt buckle
14	—	Safety belt buckle bolt (part of 61203)

Driver Manual Front Seat Cushion

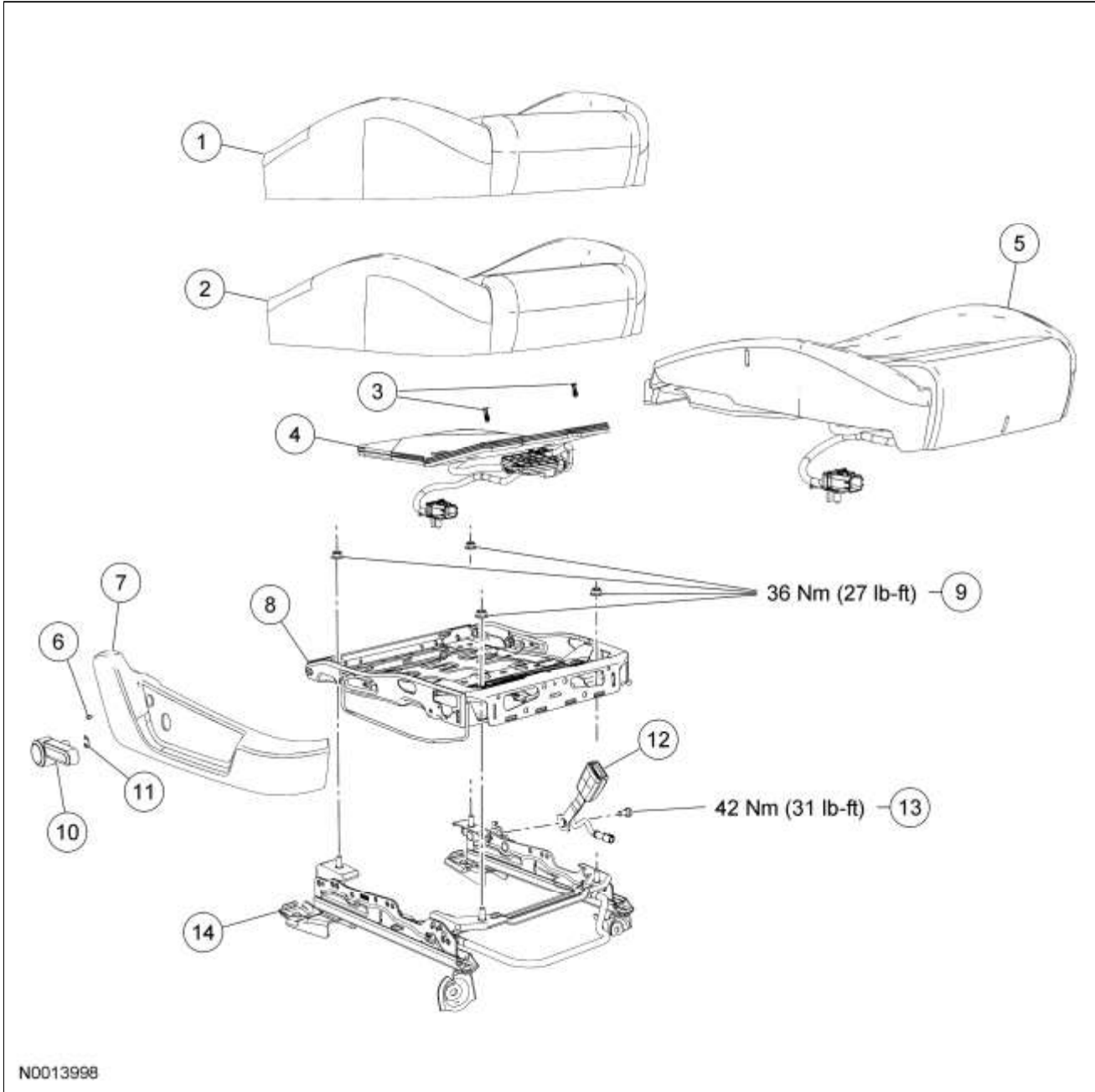


N0015489

Item	Part Number	Description
1	62901	Cushion trim cover
2	—	Cushion foam pad
3	62768	Manual height adjust handle center cover (if equipped)
4	61753	Manual height adjust handle (if equipped)
5	W520113-S	Cushion frame-to-seat-track nuts (4 required)
6	62622	Recline handle
7	—	Recline handle clip (part of 62622)
8	—	Screw
9	62187	Cushion side shield

10	63101	Cushion frame
11	14A699	Driver seat wire harness
12	61701	Seat track
13	61203	Safety belt buckle
14	—	Safety belt buckle bolt (part of 61203)

Passenger Front Seat Cushion



Item	Part Number	Description
1	62900	Cushion trim cover
2	—	Cushion foam pad (part of original equipment [OE] occupant classification sensor (OCS))
3	—	Pin-type retainers (part of OE OCS)
4	—	OE OCS

5	632A22	OCS service kit
6	—	Screw
7	62186	Side shield
8	63100	Cushion frame
9	W520113 -S	Cushion frame-to-seat-track nuts (4 required)
10	62622	Recline handle
11	—	Recline handle clip (part of 62622)
12	61203	Safety belt buckle
13	—	Safety belt buckle bolt (part of 61203)
14	618B46	Seat track

1. For additional information, refer to the procedures in this section.