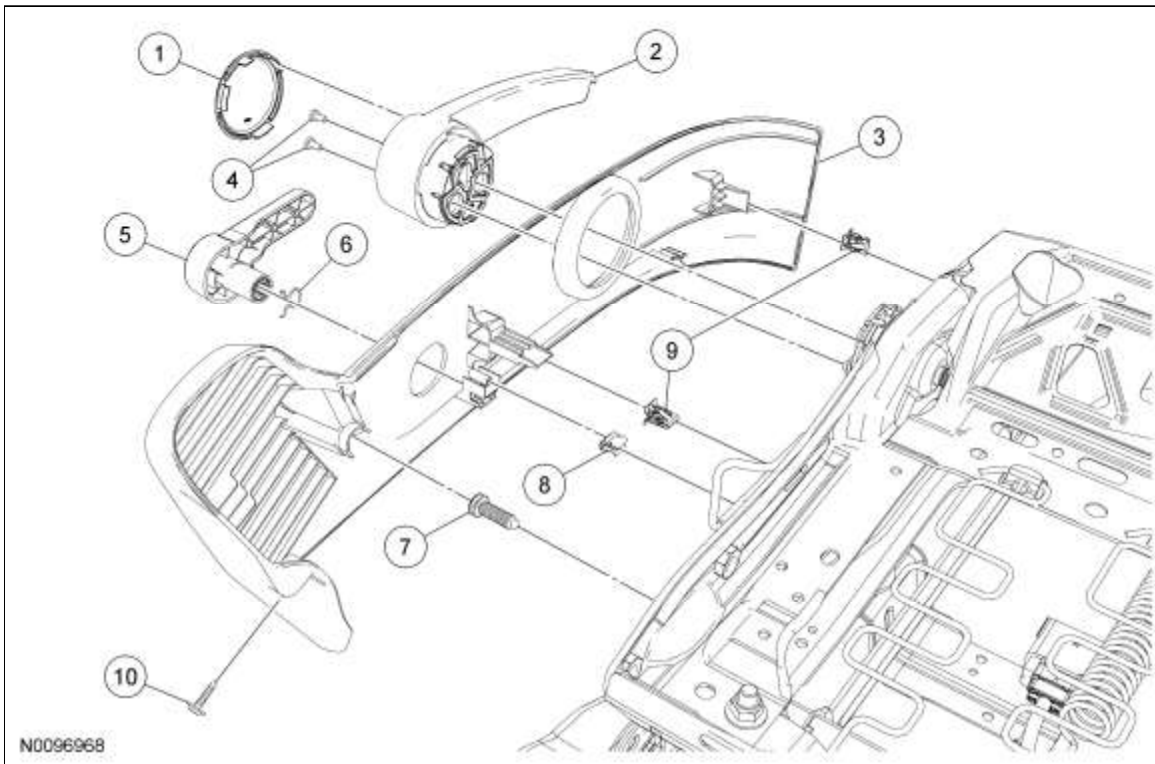


Seat — Exploded View, Front

Cushion Side Shield — Manual

NOTE: LH shown, RH similar.

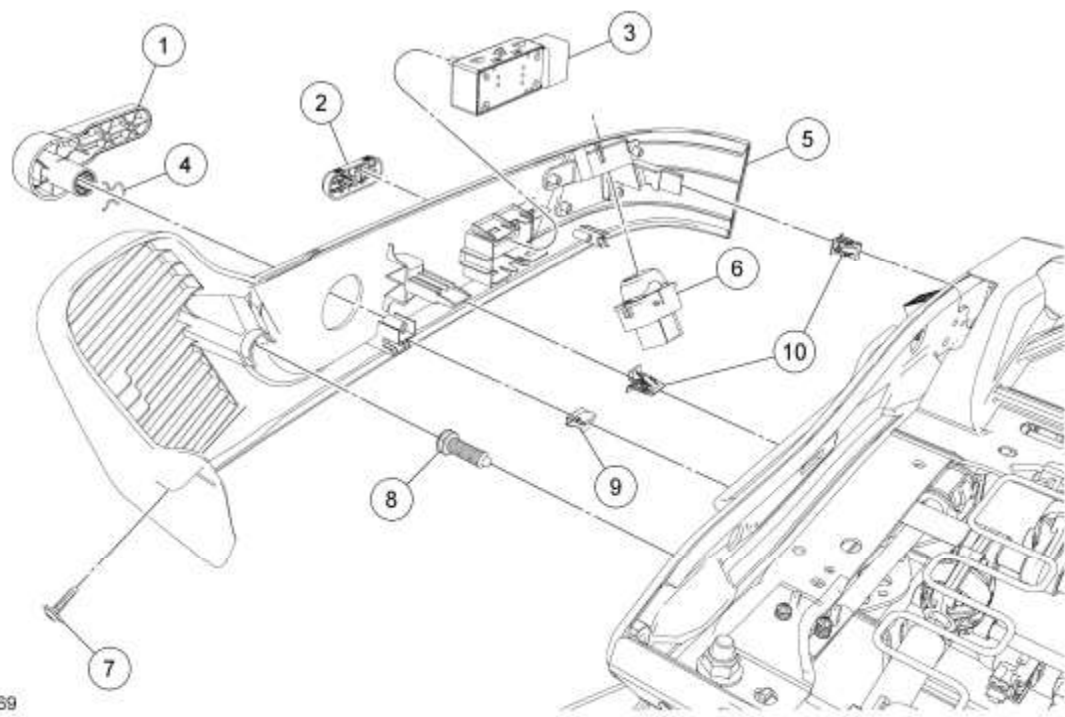


N0096968

Item	Part Number	Description
1	62768	Manual height adjust handle cover
2	61753	Manual height adjust handle
3	62187	Side shield
4	W711217	Manual height adjust handle screws (2 required)
5	62622	Recline handle
6	—	Recline handle retainer (part of 62622)
7	—	Side shield pin-type retainer (part of 62187)
8	—	Side shield retainer, Z-clip (part of 62187)
9	—	Side shield retainers (2 required) (part of 62187)
10	W711216	Side shield screw

Cushion Side Shield — Power

NOTE: LH shown, RH similar.

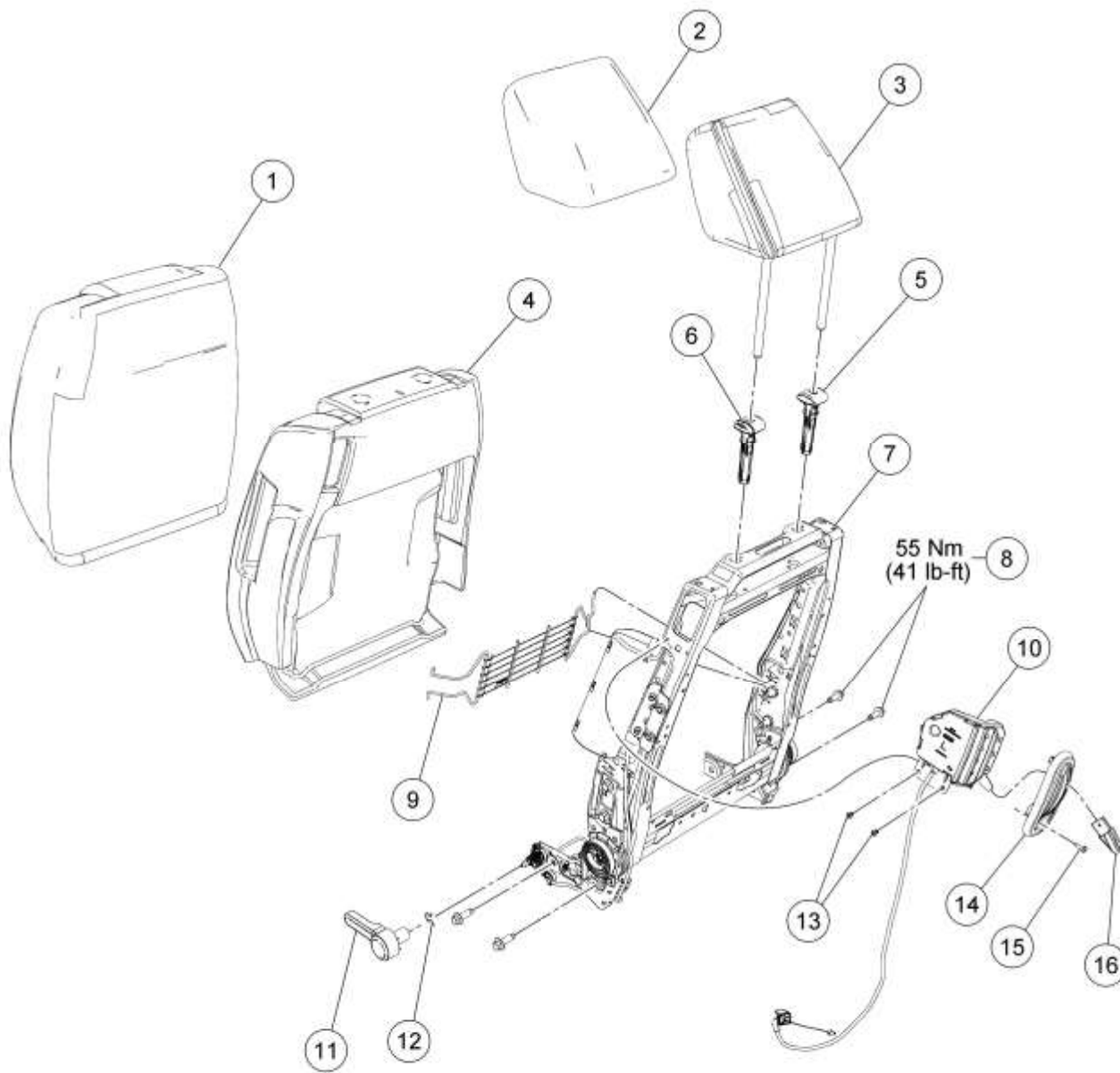


N0096969

Item	Part Number	Description
1	62622	Recline handle
2	14711	Seat control switch knob
3	14A701	Seat control switch
4	—	Recline handle retainer (part of 62622)
5	62187	Side shield
6	14A701	Lumbar control switch
7	W711216	Side shield screw
8	—	Side shield pin-type retainer (part of 62187)
9	—	Side shield retainer, Z-clip (part of 62187)
10	—	Side shield retainers (2 required) (part of 62187)

Seat Backrest — Manual

NOTE: *Low back seat shown, high back seat similar.*



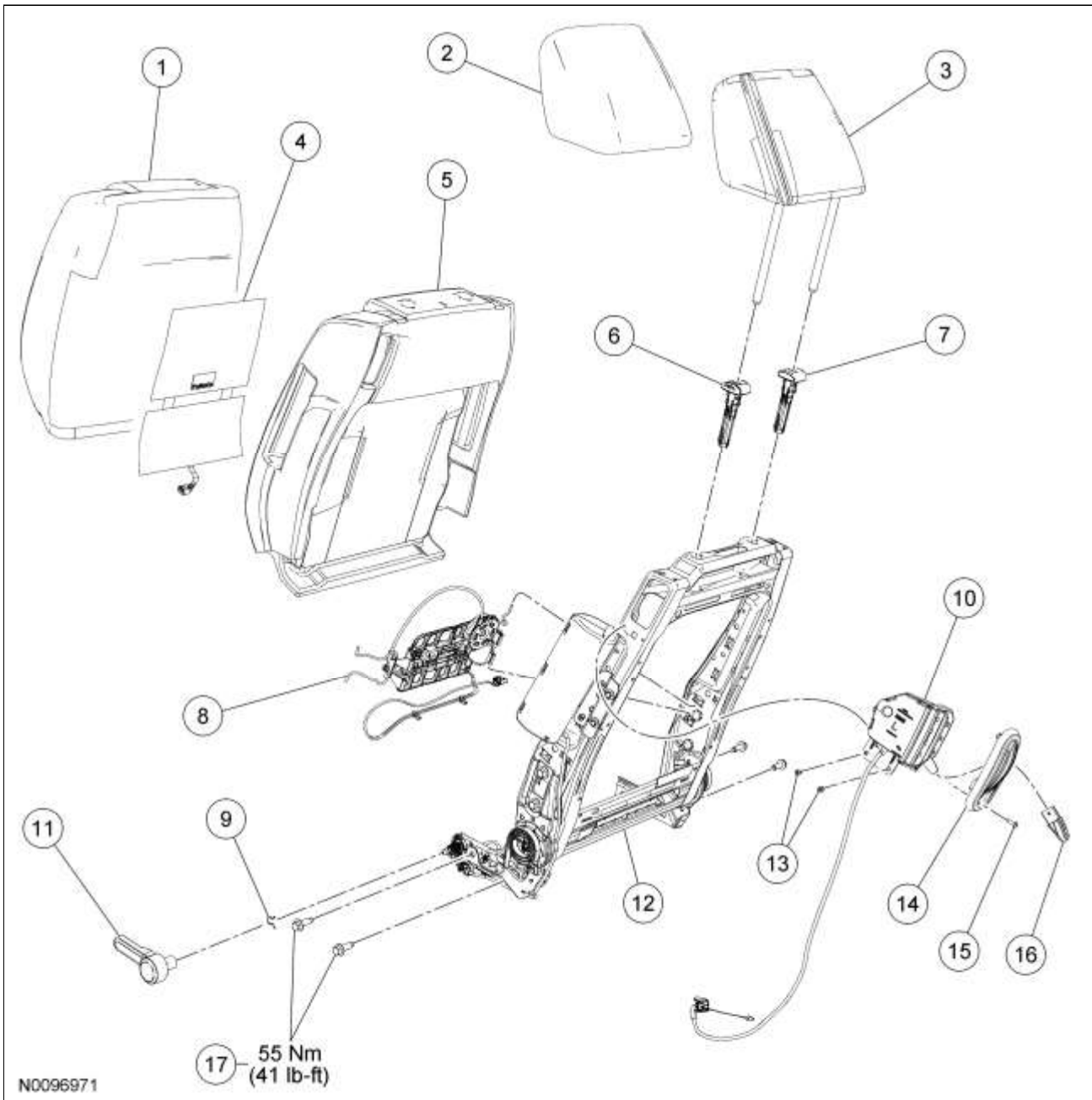
N0096970

Item	Part Number	Description
1	64416 RH/ 64417 LH	Backrest cover
2	—	Head restraint cover (low back seat only)
3	611A08	Head restraint (low back seat only)
4	64810 RH/ 64811 LH	Backrest foam pad
5	610A18	Head restraint guide sleeve, RH (low back seat only)
6	610A16	Head restraint guide sleeve, LH (low back seat only)
7	61019 RH/ 61019 LH	Backrest frame
8	W500633	Backrest mounting bolts
9	63226	Lumbar support
10	62432	Backrest latch release
11	62622	Recline handle
12	—	Recline handle retainer (part of 62622)

13	W711024	Backrest latch release rivets (2 required)
14	62672	Backrest latch release bezel
15	W506943	Backrest latch release bezel screw
16	62762	Backrest latch release handle

Seat Backrest — Power

NOTE: LH shown, RH similar.

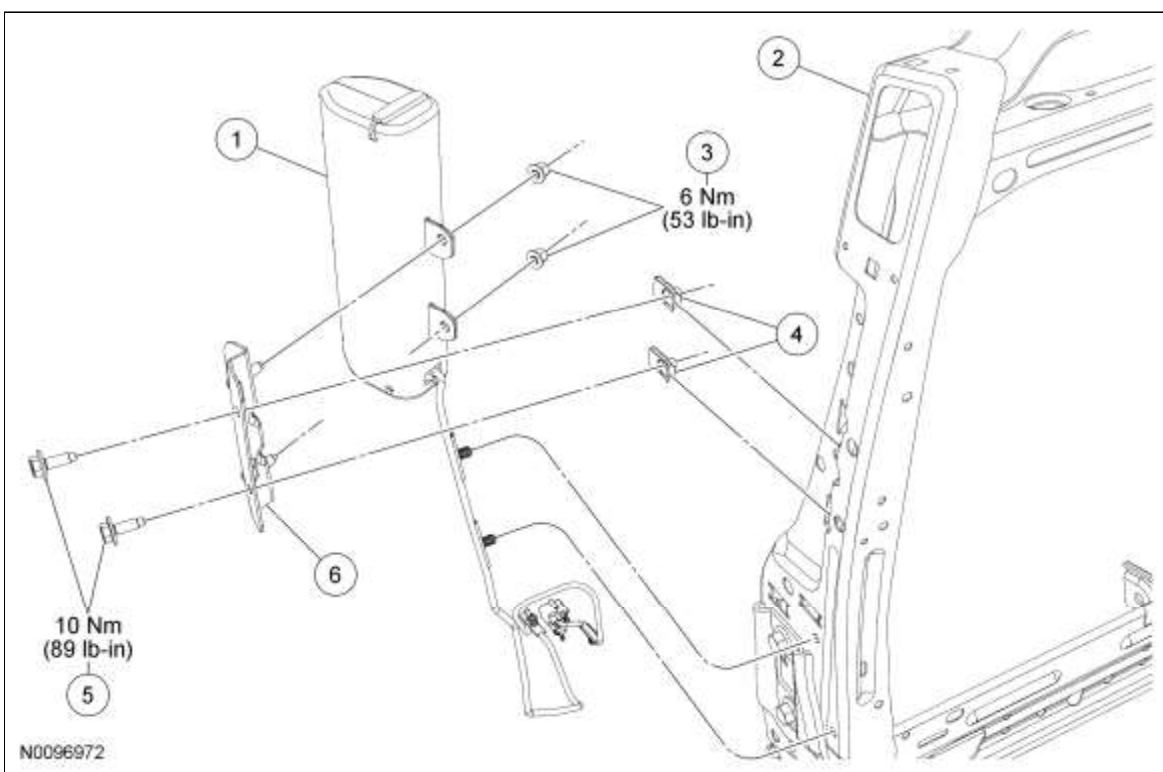


Item	Part Number	Description
1	64417	Backrest cover
2	—	Head restraint cover
3	611A08	Head restraint
4	14D696	Backrest heater mat (if equipped)
5	64811	Backrest foam pad
6	610A16	Head restraint guide sleeve, LH

7	610A18	Head restraint guide sleeve, RH
8	65500	Power lumbar assembly (if equipped)
9	—	Recline handle retainer (part of 62622)
10	62432	Backrest latch release
11	62622	Recline handle
12	61019	Backrest frame
13	W711024	Backrest latch release rivets (2 required)
14	62672	Backrest latch release bezel
15	W506943	Backrest latch release bezel screw
16	62762	Backrest latch release handle
17	W500633	Backrest mounting bolts

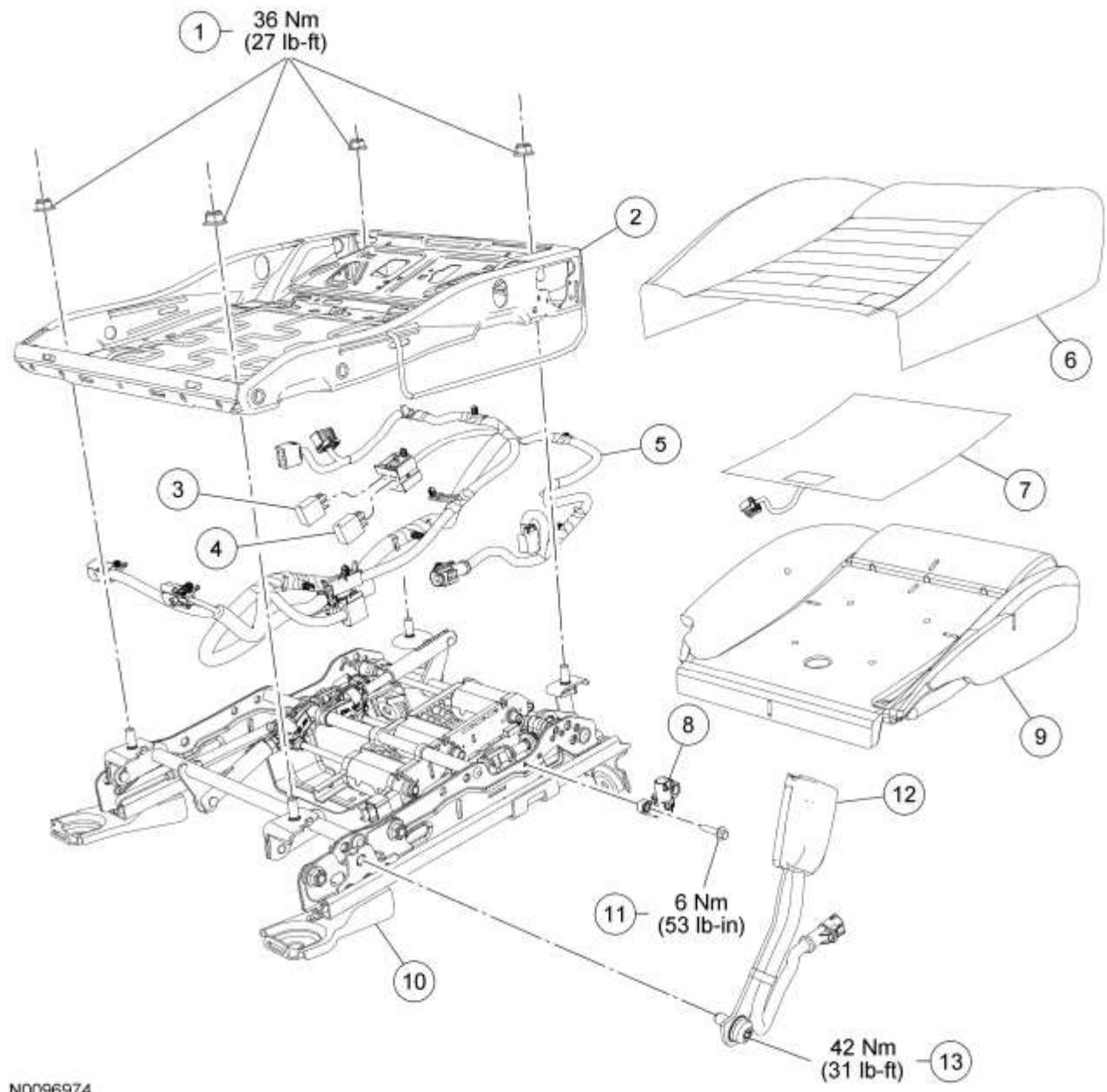
Seat Side Air Bag Module

NOTE: LH shown, RH similar.



Item	Part Number	Description
1	611D11	Side air bag module
2	61019	Backrest frame
3	—	Side air bag module nuts (part of 611D11)
4	W520822	U-nuts
5	W302077	Side air bag module bolts
6	611D79	Side air bag module bracket

Seat Cushion — Driver, Manual



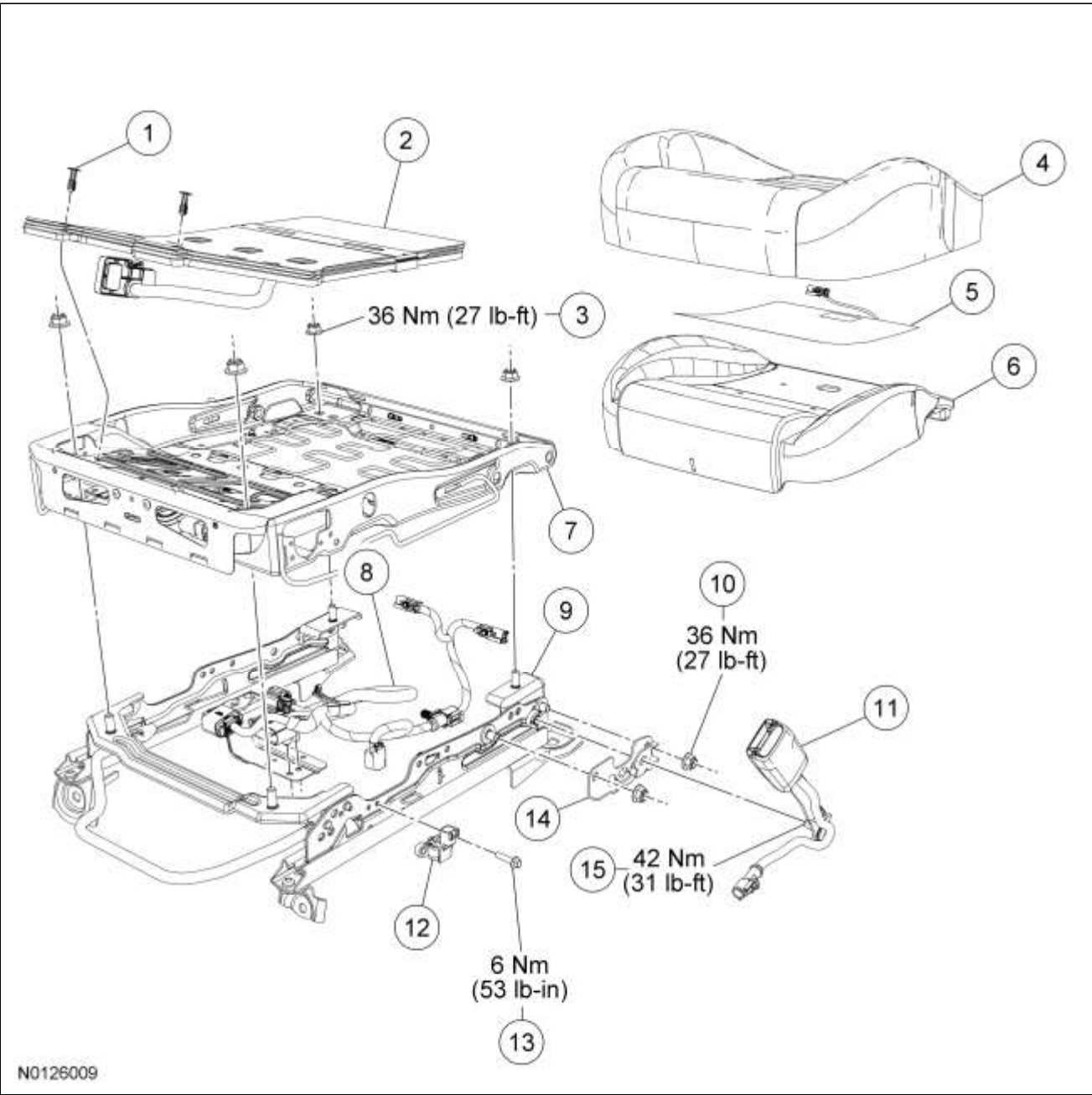
N0096974

Item	Part Number	Description
1	W520113	Seat track nuts (4 required)
2	63101	Cushion frame
3	14N089	Heated seat relay, driver
4	14N089	Heated seat relay, passenger
5	14A699	Seat wire harness
6	62901	Cushion cover
7	14D698	Cushion heater mat (if equipped)
8	14B416	Seat position sensor
9	632A23	Cushion foam pad
10	61711	Seat track
11	W505256	Seat position sensor bolt
12	61203	Safety belt buckle
13	—	Safety belt buckle bolt (part of 61203)

Seat Cushion — Passenger

NOTE: Production Occupant Classification System (OCS) system is shown. For OCS system service kit, refer to Occupant Classification Sensor procedure in [Section 501-20B](#).

NOTE: Manual seat shown, power similar.



N0126009

Item	Part Number	Description
1	—	Pin-type retainer [part of production Occupant Classification System (OCS) system]
2	—	<u>OCS</u> bladder (part of 632A22)
3	W520113	Seat track nuts
4	62900	Cushion trim cover
5	—	Cushion heater mat (if equipped)
6	—	Cushion foam pad (part of 632A22)
7	63100	Cushion frame
8	14A576	Wire harness

9	61704	Seat track
10	W520113	Bracket nut (2 required)
11	61202	Safety belt buckle
12	14B416	Seat position sensor
13	W505256	Seat position sensor bolt
14	—	Safety belt buckle bracket
15	—	Safety belt buckle bolt (part of 61202)

1. For additional information, refer to the procedures in this section.