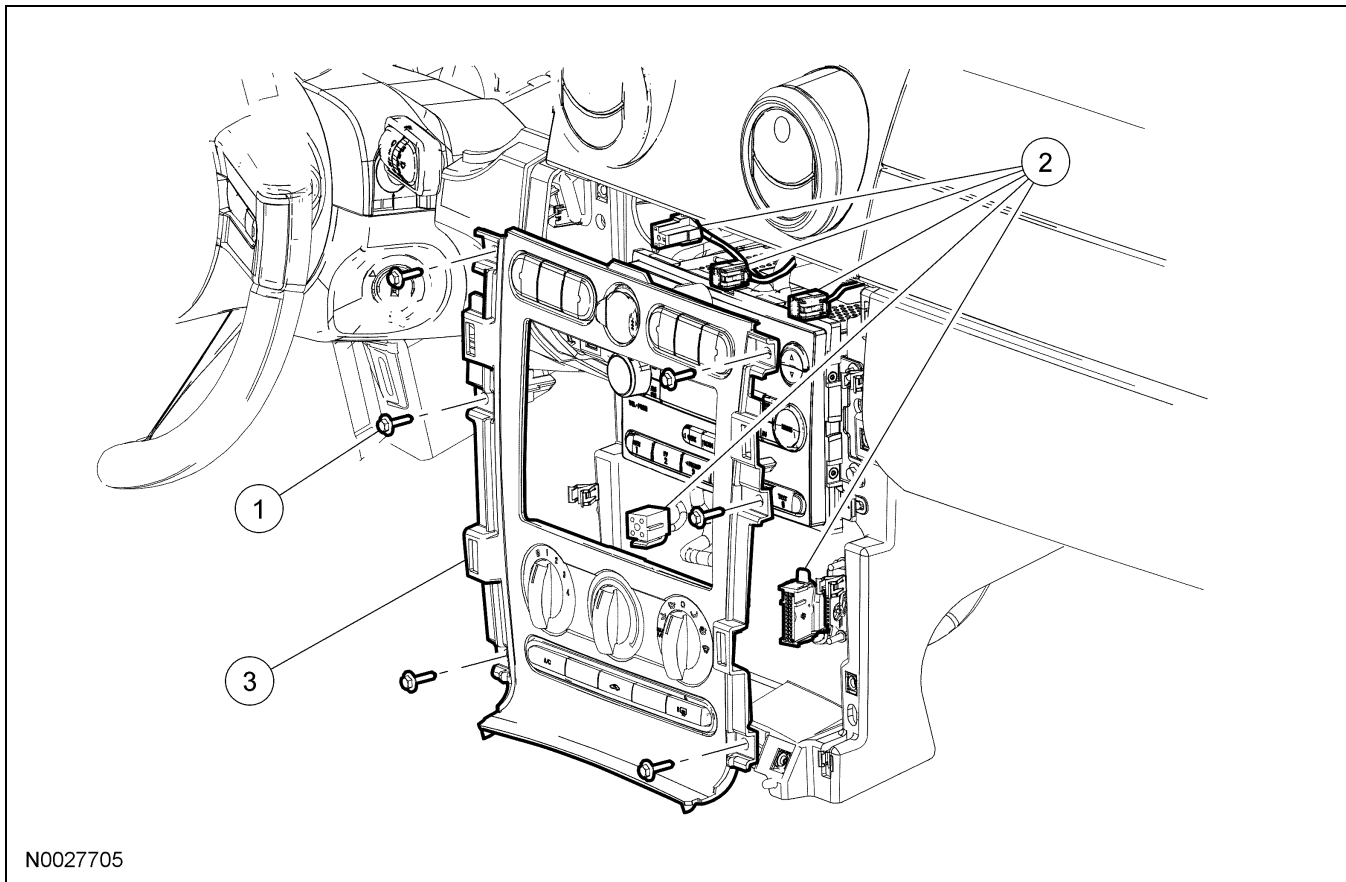


REMOVAL AND INSTALLATION

Instrument Panel Center Finish Panel



Item	Part Number	Description
1	W705314	Instrument panel center finish panel screws (6 required)
2	—	Instrument panel center finish panel electrical connectors (5 required) (part of 14401)
3	04302	Instrument panel center finish panel

- Remove the 6 screws and remove the instrument panel center finish panel.
 - Disconnect the electrical connectors.
- NOTE:** Be sure that all climate control assembly electrical connectors are securely fastened before installing the center instrument panel finish panel.

To install, reverse the removal procedure.

Removal and Installation

- Remove the floor console. For additional information, refer to Floor Console in this section.