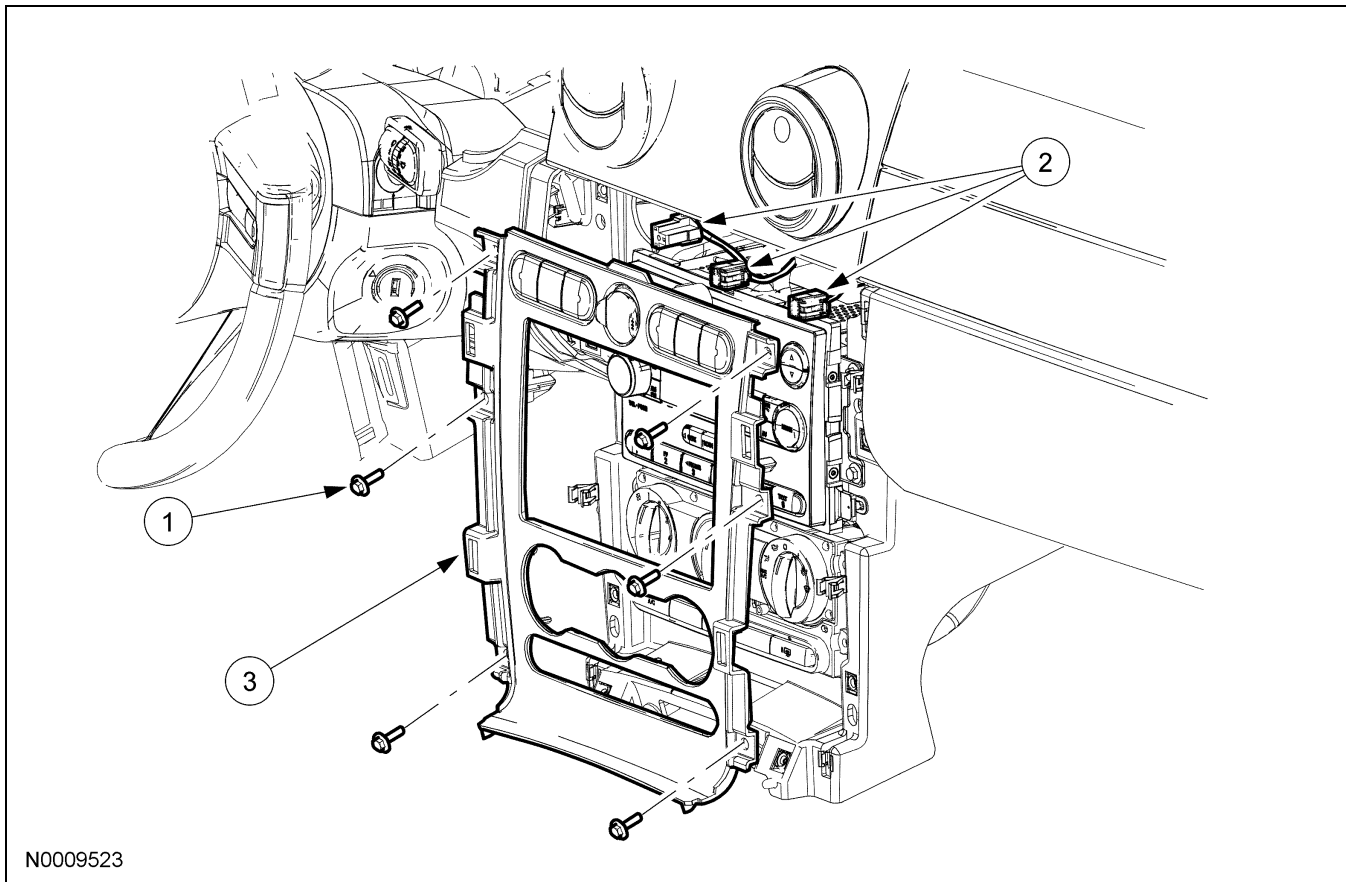


## REMOVAL AND INSTALLATION

### Instrument Panel Center Finish Panel



Item	Part Number	Description
1	W705314	Instrument panel center finish panel screws (6 required)
2	—	Instrument panel center finish panel electrical connectors (3 required) (part of 14401)
3	04302	Instrument panel center finish panel

#### Removal and Installation

1. Remove the floor console. For additional information, refer to Floor Console in this section.
2. Remove the 6 screws and remove the instrument panel center finish panel.
  - Disconnect the electrical connectors.
3. To install, reverse the removal procedure.