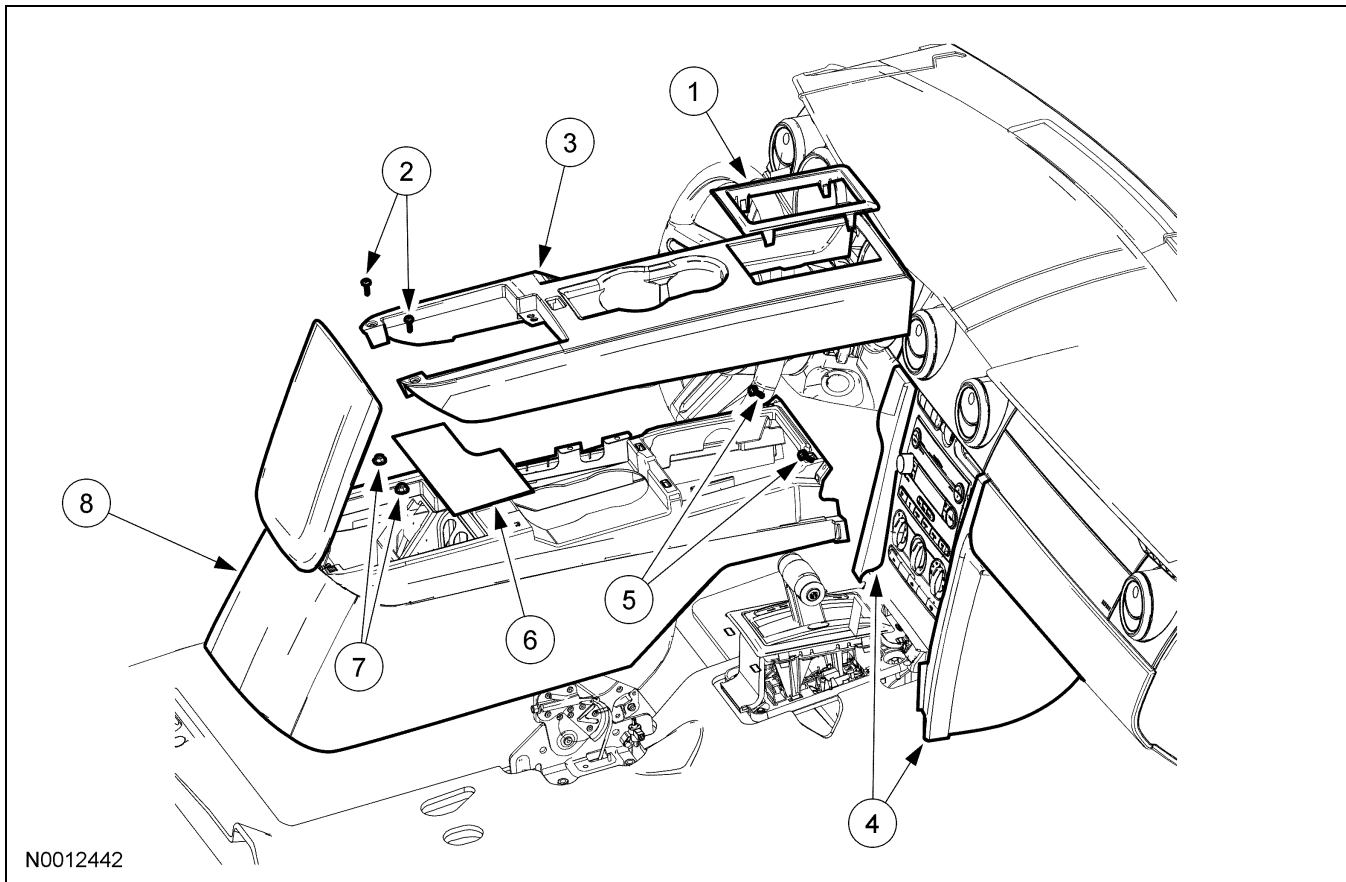


REMOVAL AND INSTALLATION

Floor Console



Item	Part Number	Description
1	F7E391	Shift lever bezel (if equipped)
2	W505004	Floor console finish panel screws (2 required)
3	63045A06	Floor console finish panel
4	04608/04609	Center stack wings (2 required)
5	W707628	Floor console screws (2 required)
6	466K48	Floor console mat
7	W711098	Floor console nuts (2 required)
8	045A06	Floor console

Removal and Installation

1. If equipped, remove the shift lever bezel.
2. Remove the 2 floor console finish panel screws.
3. Apply the parking brake and remove the floor console finish panel.
4. Remove the 2 center stack wings.
5. Remove the 2 front floor console screws.
6. Remove the mat, the 2 floor console nuts and the floor console.
7. To install, reverse the removal procedure.