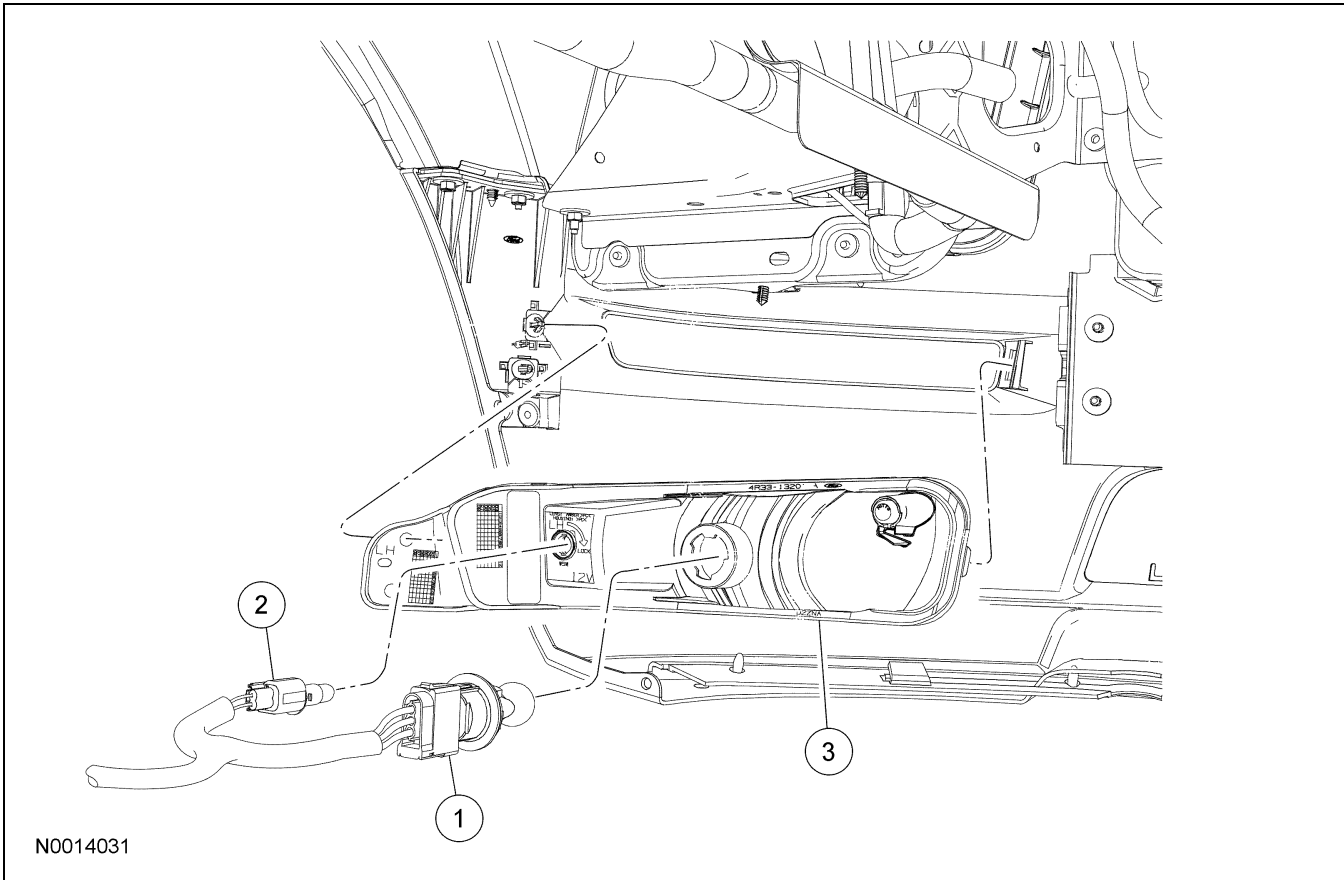


REMOVAL AND INSTALLATION

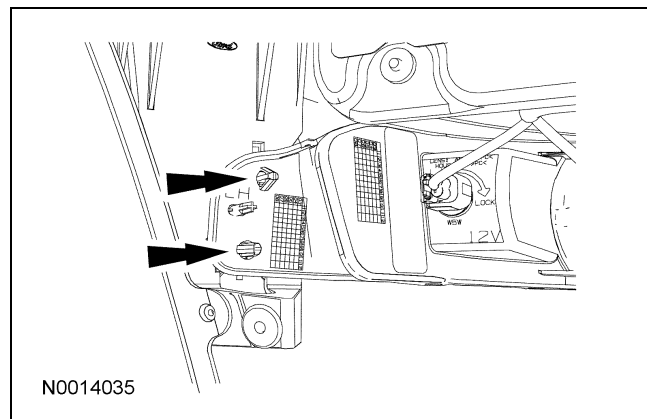
Side Lamp/Front Turn Signal Lamp Bulb



Item	Part Number	Description
1	13411	Bulb socket
2	13411	Bulb socket
3	13200/13201	Front side marker lamp assembly (RH/LH)

Removal and Installation

1. Remove the front fender splash shield. For additional information, refer to Section 501-02.
2. Release the 2 locking tabs and remove the front side marker lamp assembly.
 - Disconnect the electrical connectors.



3. To install, reverse the removal procedure.