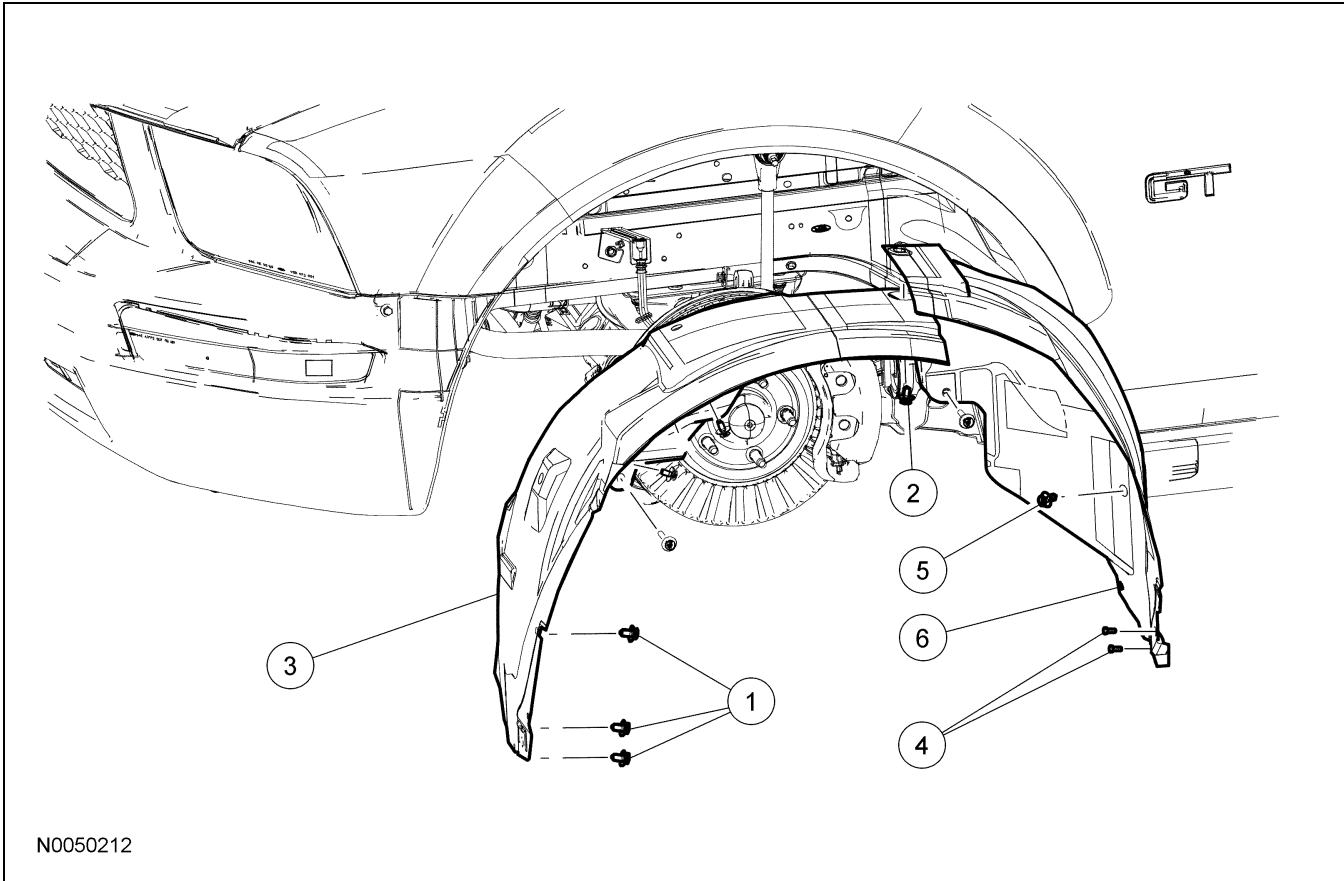


REMOVAL AND INSTALLATION

Fender Splash Shield



Item	Part Number	Description
1	W706805	Fender splash shield screws (3 required)
2	16K194	Fender splash shield pin-type retainer (front) (5 required)
3	16B568	Fender splash shield (front)
4	W709176	Rocker panel pin-type retainers (2 required)
5	16K194	Fender splash shield pin-type retainer (rear) (2 required)
6	16B568	Fender splash shield (rear)

Removal and Installation

1. Remove the 3 front fender splash shield screws.
2. Remove the 5 pin-type retainers and the front fender splash shield.
3. Remove the 2 pin-type retainers and position the rocker panel aside.
4. Remove the 2 pin-type retainers and the rear fender splash shield.
5. To install, reverse the removal procedure.