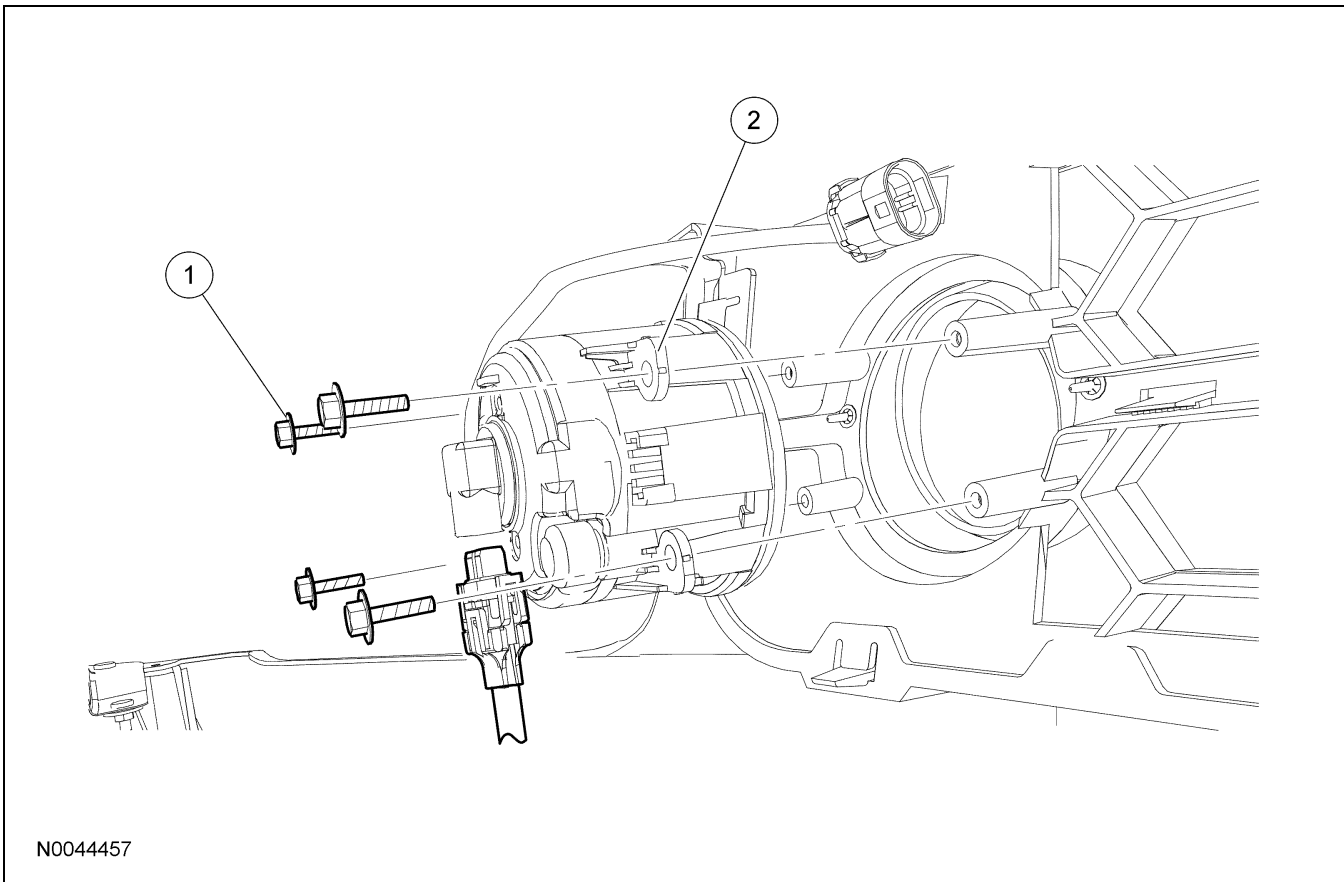


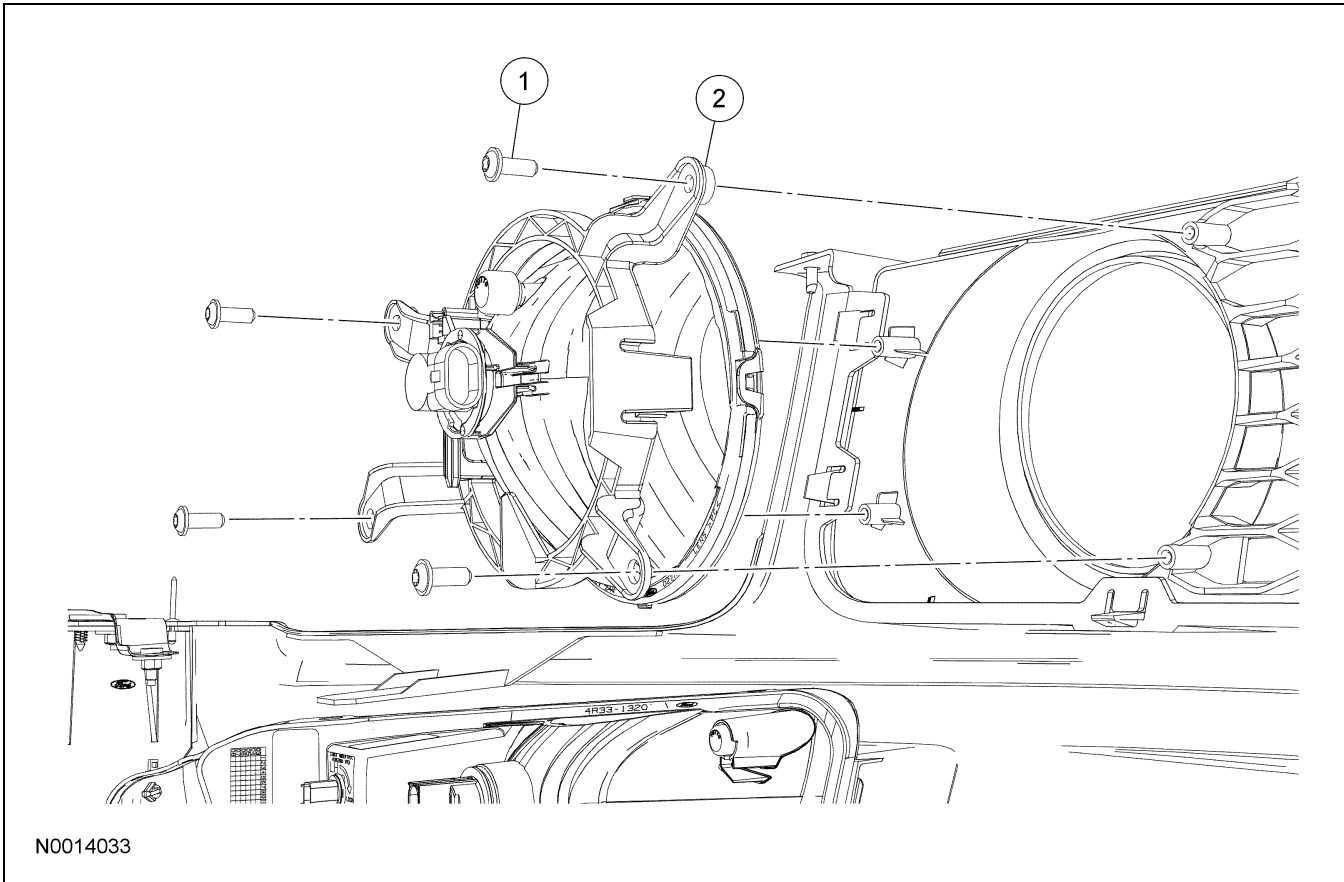
REMOVAL AND INSTALLATION

Fog Lamp

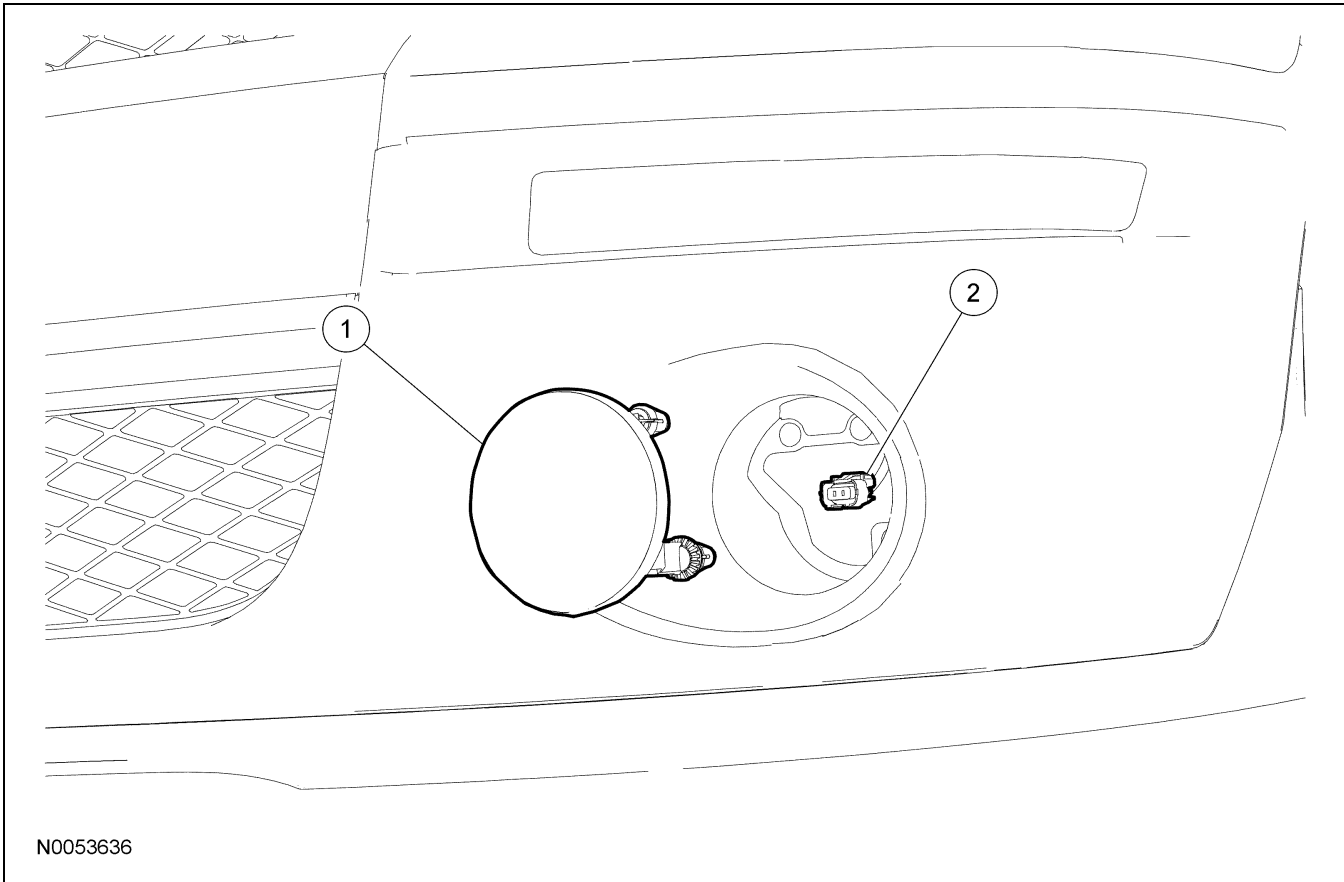
4.0L Vehicles



Item	Part Number	Description
1	W707607S	Fog lamp mounting screws (4 required)
2	15200	Fog lamp

REMOVAL AND INSTALLATION (Continued)**4.6L Vehicles**

Item	Part Number	Description
1	W505974S	Fog lamp mounting screws (4 required)
2	15K201/15201	Fog lamp (RH/LH)

REMOVAL AND INSTALLATION (Continued)**5.4L Vehicles**

Item	Part Number	Description
1	15K201	Fog lamp
2	—	Fog lamp electrical connector (part of 14290)

Removal and Installation**4.0L and 4.6L vehicles**

1. Remove the front bumper cover. For additional information, refer to Section 501-19.
2. Remove the 4 screws and the fog lamp.

5.4L vehicles

3. With the vehicle in NEUTRAL, position it on a hoist. For additional information, refer to Section 100-02.
4. Release the tabs and remove the fog lamp.
 - Disconnect the electrical connector.

All vehicles

5. To install, reverse the removal procedure.