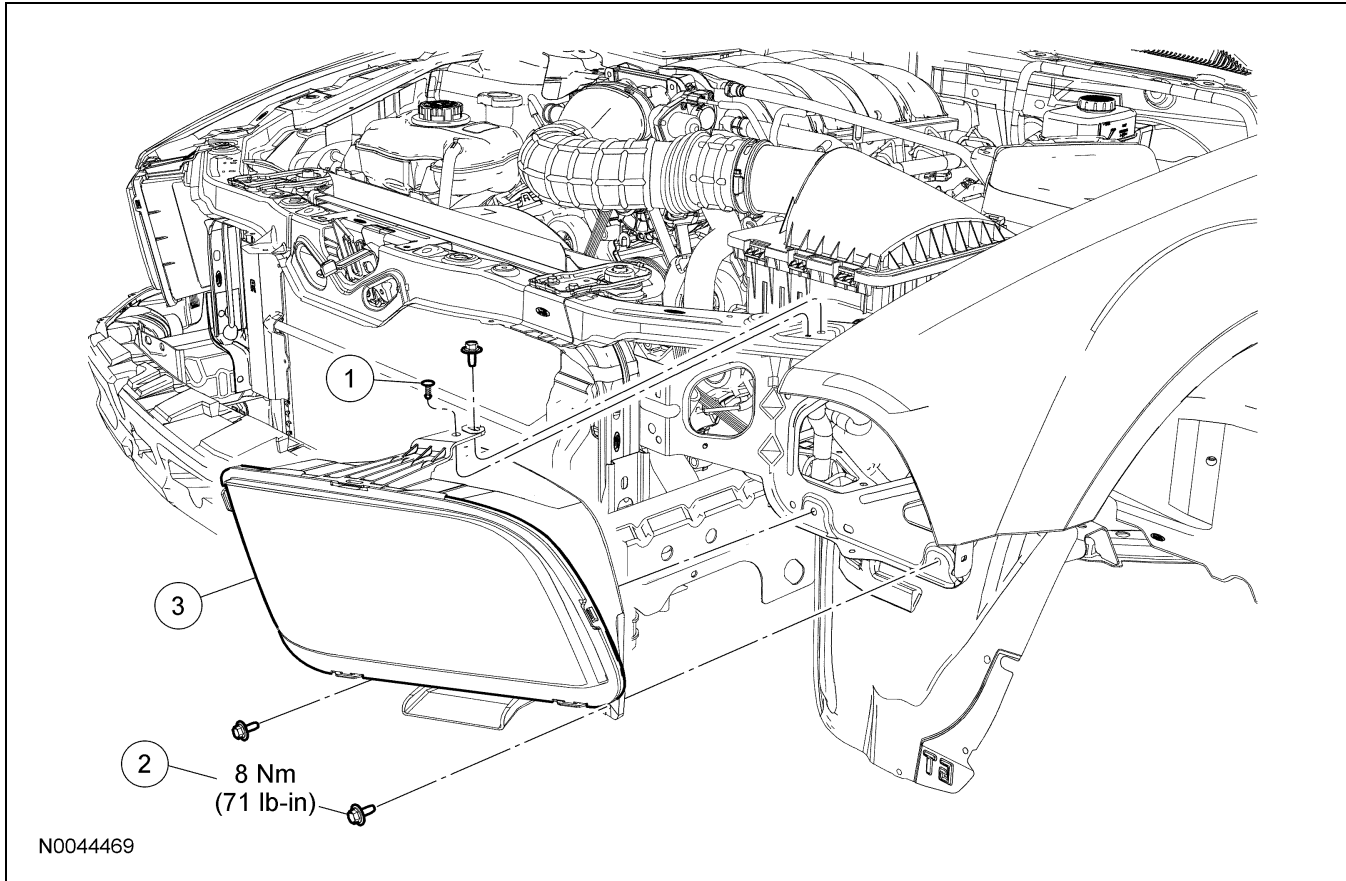


## REMOVAL AND INSTALLATION

### Headlamp Assembly



Item	Part Number	Description
1	58403D24	Pushpin
2	W712277	Headlamp assembly bolts (3 required)
3	13008/13035	Headlamp assembly (RH/LH)

2. Remove the pushpin.
3. Remove the 3 bolts and the headlamp assembly.
  - Disconnect the electrical connector.
  - To install, tighten the bolts to 8 Nm (71 lb-in).
4. To install, reverse the removal procedure.

#### Removal and Installation

1. Remove the front bumper cover. For additional information, refer to Section 501-19.