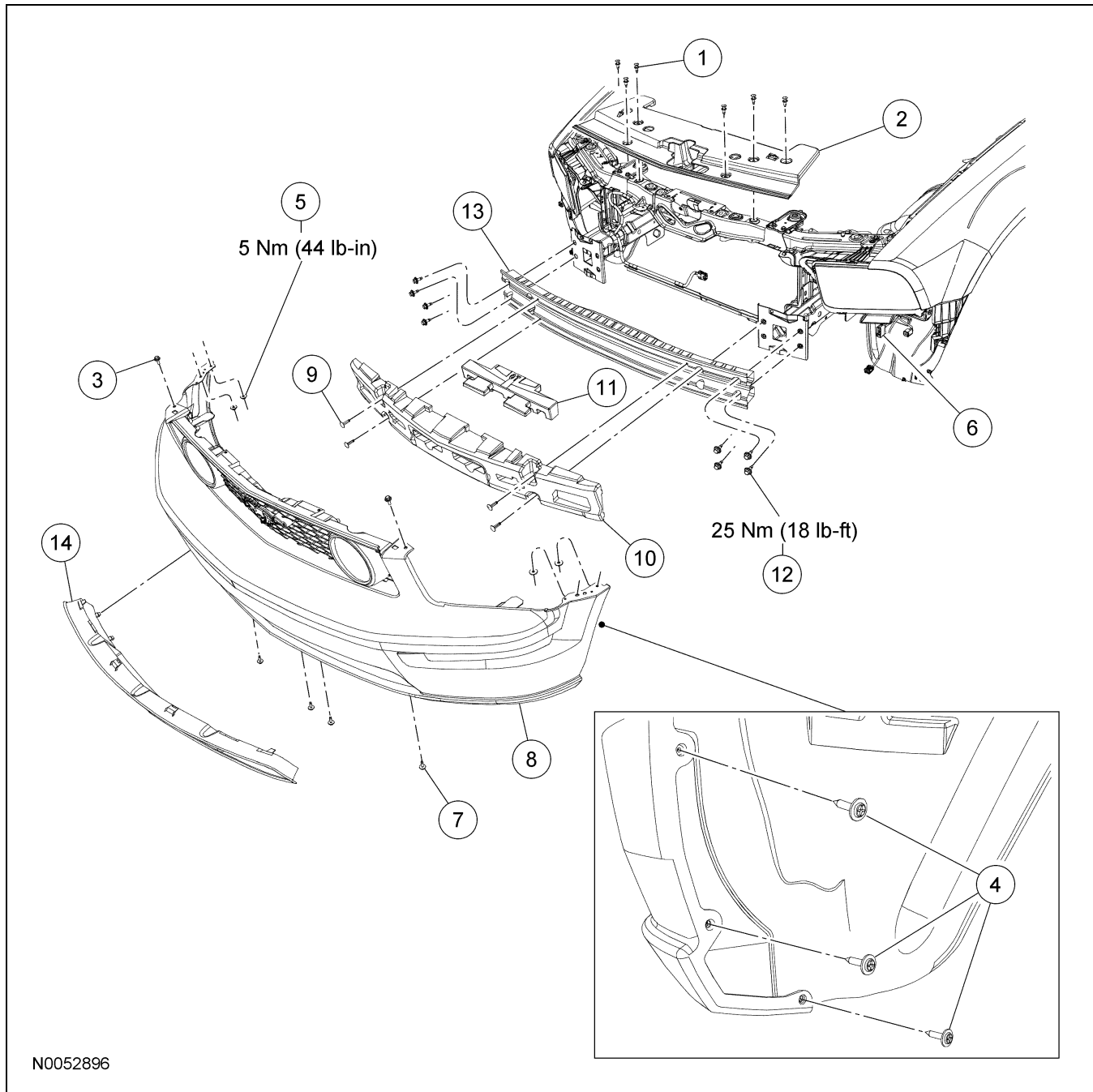


REMOVAL AND INSTALLATION

Bumper — Exploded View, Front

Base Vehicle and GT



N0052896

Item	Part Number	Description
1	W705436	Upper radiator sight shield pin-type retainer (6 required)
2	8C291	Upper radiator sight shield
3	W712277	Front bumper cover bolt (upper) (2 required)

(Continued)

Item	Part Number	Description
4	W706805	Front fender splash shield-to-front bumper cover screws (6 required)
5	W711059	Front bumper cover-to-reinforcement nut (4 required)

(Continued)

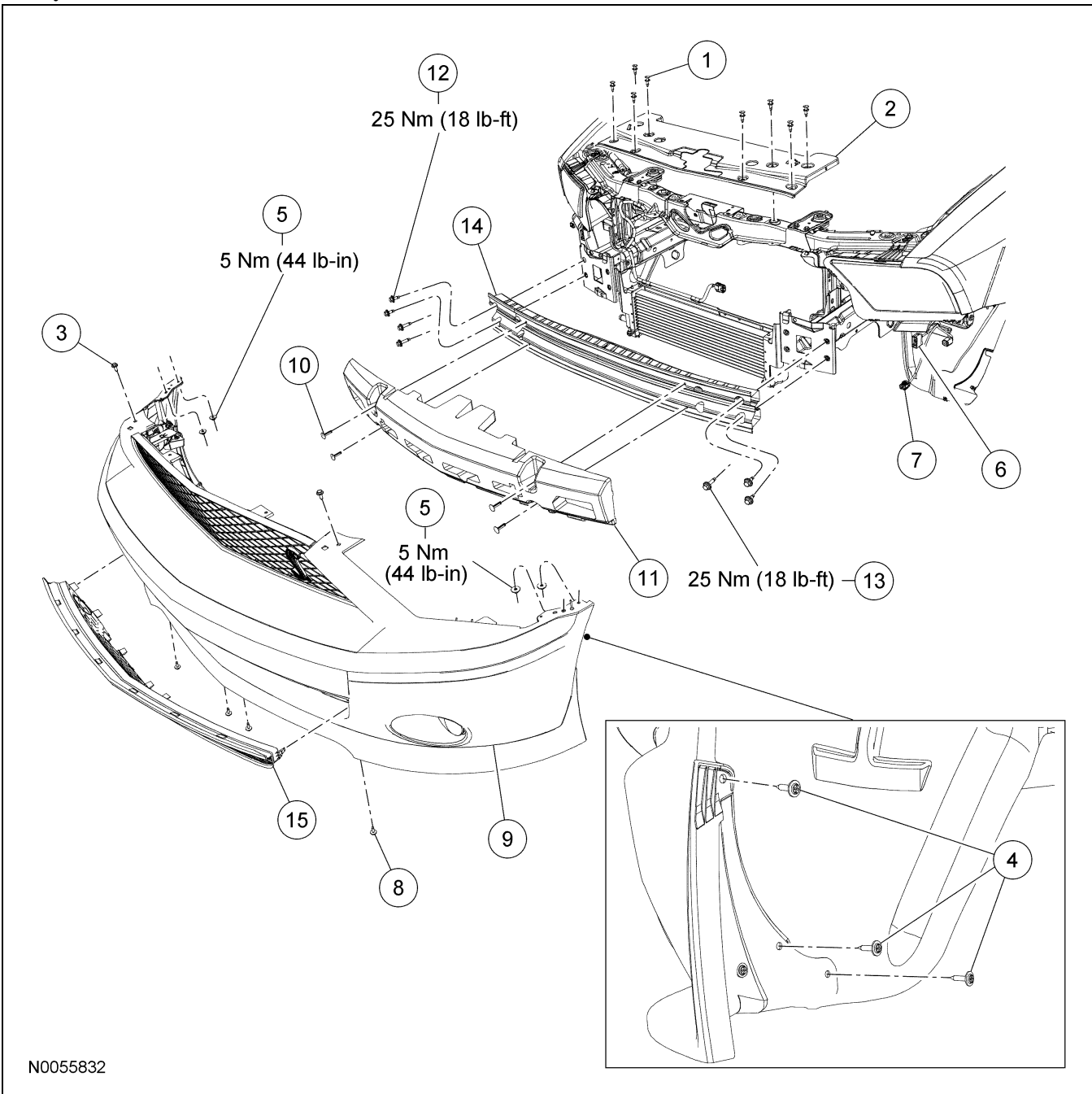
REMOVAL AND INSTALLATION (Continued)

Item	Part Number	Description
6	—	Side marker light electrical connector (part of 14A464)
7	N801169	Lower air deflector screw (4 required)
8	17D957	Front bumper cover
9	310D12	Front bumper isolator pin-type retainer (4 required)
10	17C882A	Front bumper lower outer isolator

Item	Part Number	Description
11	17C882B	Front bumper upper center inner isolator
12	W711097	Front bumper bolt (8 required)
13	17757	Front bumper
14	17B814	Lower radiator grille

(Continued)

Shelby GT 500



N0055832

REMOVAL AND INSTALLATION (Continued)

Item	Part Number	Description
1	W705436	Upper radiator sight shield pin-type retainer (8 required)
2	8C291	Upper radiator sight shield
3	W712277	Front bumper cover bolt (upper) (2 required)
4	W706805	Front fender splash shield-to-front bumper cover screws (6 required)
5	W711059	Front bumper cover-to-reinforcement nuts (4 required)
6	—	Side marker light electrical connector
7	—	Fog lamp electrical connector
8	N801169	Lower air deflector screw (4 required)

(Continued)

Item	Part Number	Description
9	17D957	Front bumper cover
10	310D12	Front bumper isolator pin-type retainer (4 required)
11	17C882A	Front bumper lower outer isolator
12	W711097	Front bumper bolt (outboard) (4 required)
13	W711457	Front bumper bolt (inboard) (3 required)
14	17757	Front bumper
15	17B814	Lower radiator grille

1. For additional information, refer to the procedures in this section.