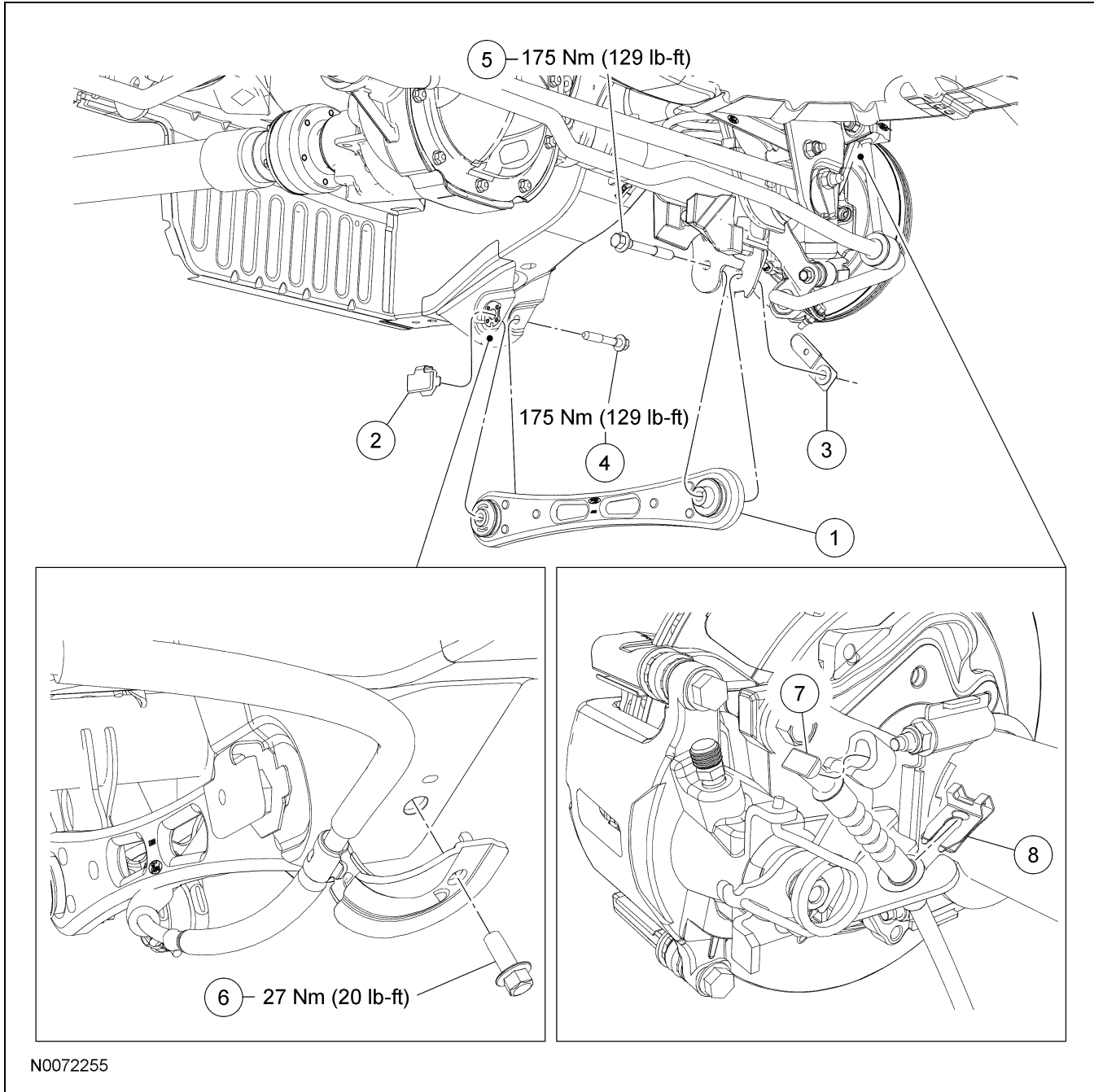


# REMOVAL AND INSTALLATION

## Lower Arm



N0072255

Item	Part Number	Description
1	5538	Lower arm
2	W710089	Lower arm front nut
3	W704991	Lower arm rear nut
4	W704886	Lower arm front bolt
5	W704888	Lower arm rear bolt

Item	Part Number	Description
6	W505263	Parking brake cable bracket bolt
7	2A635 RH/ 2A823 LH	Parking brake cable
8	2860	Parking brake cable retaining clip

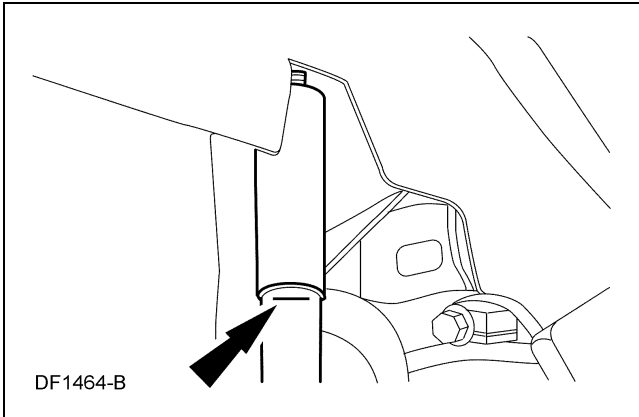
(Continued)

## REMOVAL AND INSTALLATION (Continued)

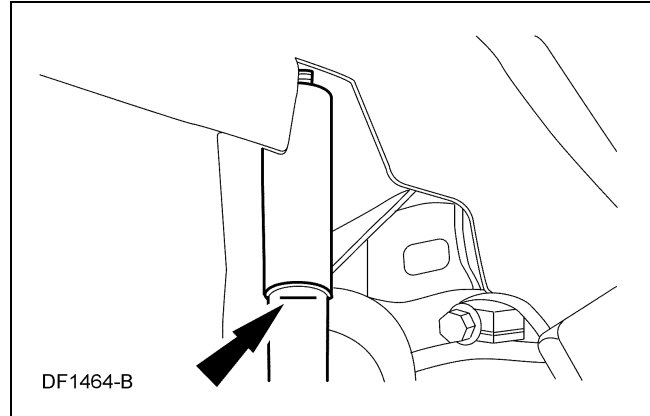
### Removal and Installation

**NOTICE:** Suspension fasteners are critical parts because they affect performance of vital components and systems and their failure may result in major service expense. New parts must be installed with the same part numbers or equivalent part, if replacement is necessary. Do not use a replacement part of lesser quality or substitute design. Torque values must be used as specified during reassembly to make sure of correct retention of these parts.

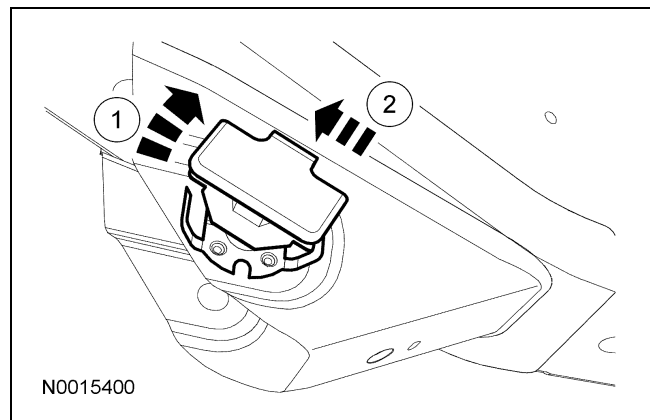
- To aid in installation, mark the rear shock absorber relative to the protective sleeve with the vehicle in a static, level ground position (curb height).



- With the vehicle in NEUTRAL, position it on a hoist. For additional information, refer to Section 100-02.
- NOTICE:** Do not support the rear axle at the differential housing or damage to the housing may occur.  
Using 2 suitable jackstands, support the rear axle.
- Raise the rear axle so the mark made on the rear shock absorber in Step 1 lines up with the protective sleeve.



- Remove the clip and disconnect the parking brake cable from the rear caliper.
- Remove the parking brake cable bracket bolt.
  - To install, tighten the new bolt to 27 Nm (20 lb-ft).
- Remove and discard the lower arm front bolt.
  - To install, tighten the new bolt to 175 Nm (129 lb-ft).
- Remove and discard the lower arm front nut.
  - Rotate the nut clockwise.
  - Remove and discard the nut.



- Remove and discard the lower arm rear bolt and flagnut and then remove the lower arm.
  - To install, tighten the new bolt to 175 Nm (129 lb-ft).

---

**REMOVAL AND INSTALLATION (Continued)**

10. **NOTICE:** Tighten the lower arm bolts while the suspension is at curb height or bushing damage and incorrect clamp load may occur.

To install, reverse the removal procedure.

---