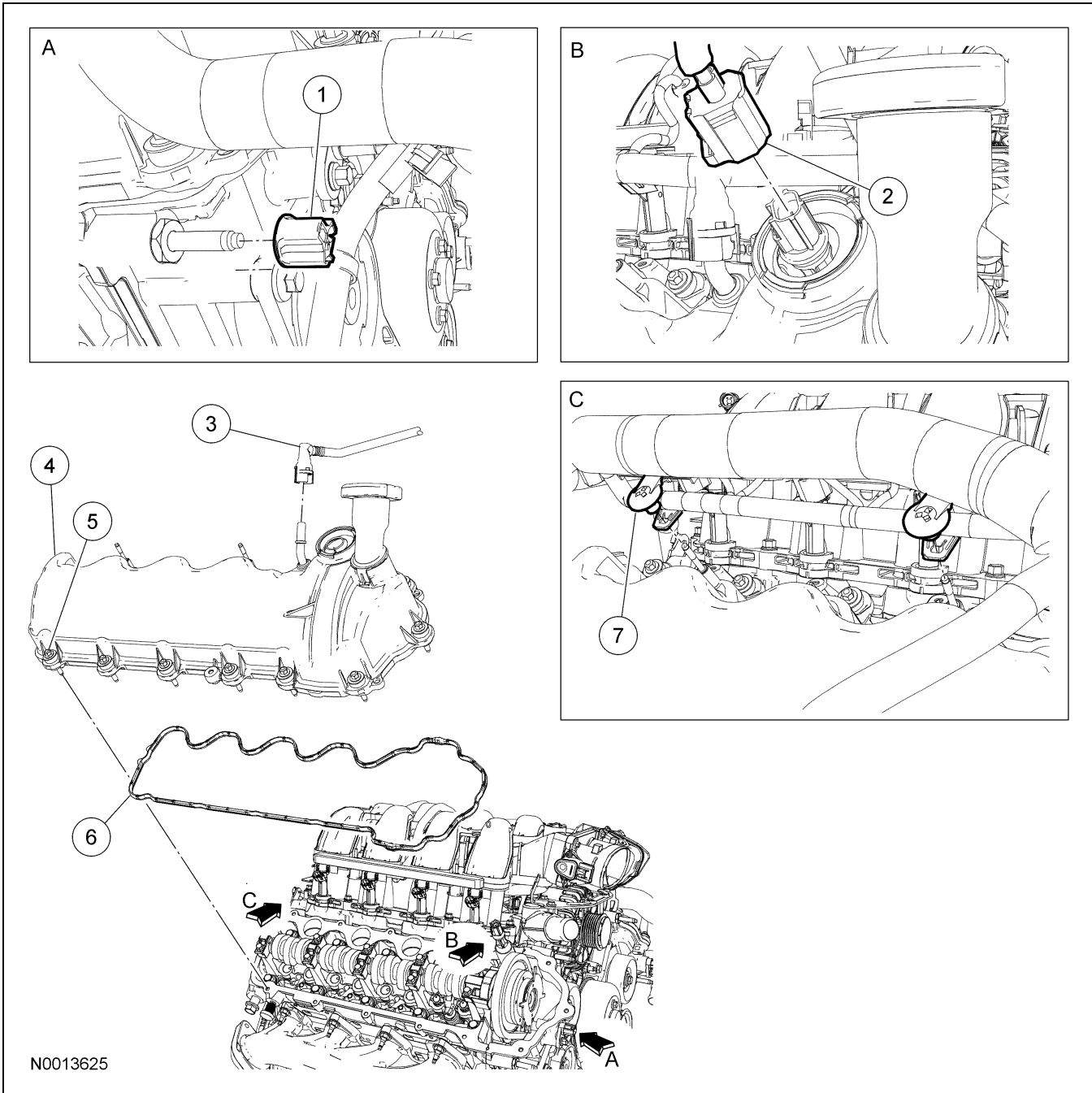


**IN-VEHICLE REPAIR****Valve Cover — RH****Material**

| Item                                   | Specification |
|--|---------------|
| Motorcraft Metal Surface Prep<br>ZC-31 | —             |
| Silicone Gasket Remover<br>ZC-30       | —             |
| Silicone Gasket and Sealant<br>TA-30   | WSE-M4G323-A4 |

**IN-VEHICLE REPAIR (Continued)**



N0013625

| Item | Part Number | Description  |
|------|-------------|--|
| 1    | —           | Engine wiring harness (part of 12B637)   |
| 2    | 14A464      | RH variable camshaft timing (VCT) solenoid electrical connector (part of 12B637) |
| 3    | 6758        | Positive crankcase ventilation (PCV) tube  |
| 4    | 6582        | RH valve cover   |
| 5    | 6C519       | RH valve cover bolt (14 required) (part of 6582)                                 |
| 6    | 6584        | RH valve cover gasket  |

| Item | Part Number | Description  |
|------|-------------|--|
| 7    | —           | Engine wiring harness retainer (4 required) (part of 12B637) |

**Removal**

1. Remove the RH ignition coils. For additional information, refer to Section 303-07B.
2. Detach the wiring harness retainer from the engine front cover stud bolt.

(Continued)

**IN-VEHICLE REPAIR (Continued)**

3. Disconnect the RH variable camshaft timing (VCT) solenoid electrical connector.
4. Disconnect the positive crankcase ventilation (PCV) tube from the RH valve cover.
5. Detach the 4 wiring harness retainers from the valve cover stud bolts.
6. **⚠ CAUTION: Do not use metal scrapers, wire brushes, power abrasive discs or other abrasive means to clean the sealing surfaces. These tools cause scratches and gouges which make leak paths. Use a plastic scraping tool to remove all traces of old sealant.**

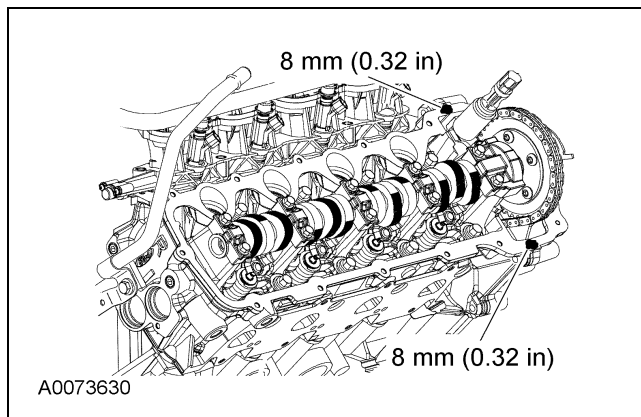
Loosen the 14 fasteners and remove the RH valve cover and gasket.

- Clean the valve cover mating surface of the cylinder head with silicone gasket remover and metal surface prep. Follow the directions on the packaging.
- Discard the valve cover gasket. Clean the valve cover gasket groove with soap and water or a suitable solvent.

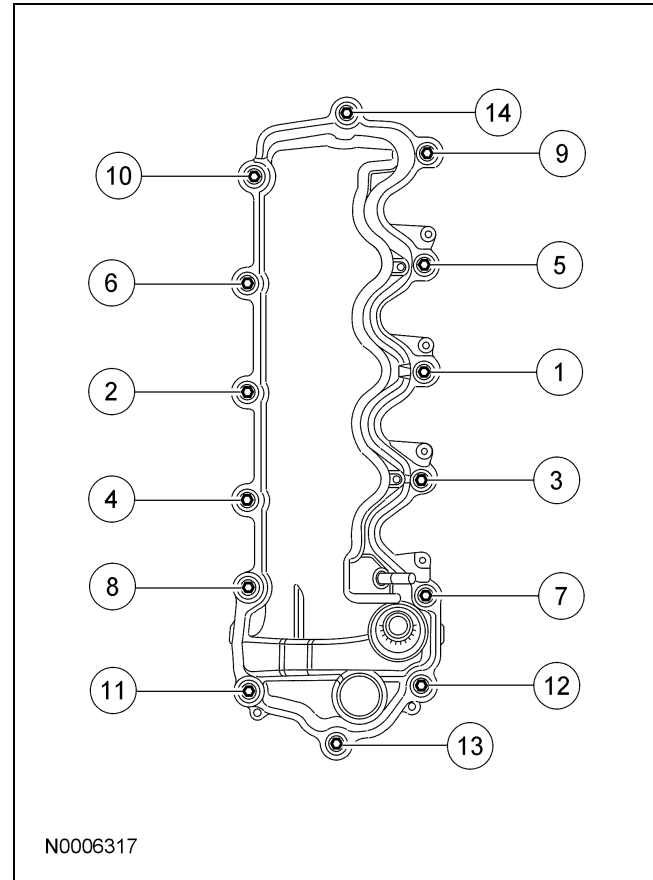
**Installation**

1. **NOTE:** If the valve cover is not secured within 4 minutes, the sealant must be removed and the sealing area cleaned with metal surface cleaner. Failure to follow this procedure can cause future oil leakage.

Apply a bead of silicone gasket and sealant in 2 places where the engine front cover meets the cylinder head.



2. Position the RH valve cover and new gasket on the cylinder head and tighten the bolts in the sequence shown.
  - Tighten to 10 Nm (89 lb-in).



3. Attach the 4 wiring harness retainers to the valve cover stud bolts.
4. Connect the PCV tube to the RH valve cover.
5. Connect the RH VCT solenoid electrical connector.
6. Attach the wiring harness retainer to the engine front cover stud bolt.
7. Install the RH ignition coils. For additional information, refer to Section 303-07B.