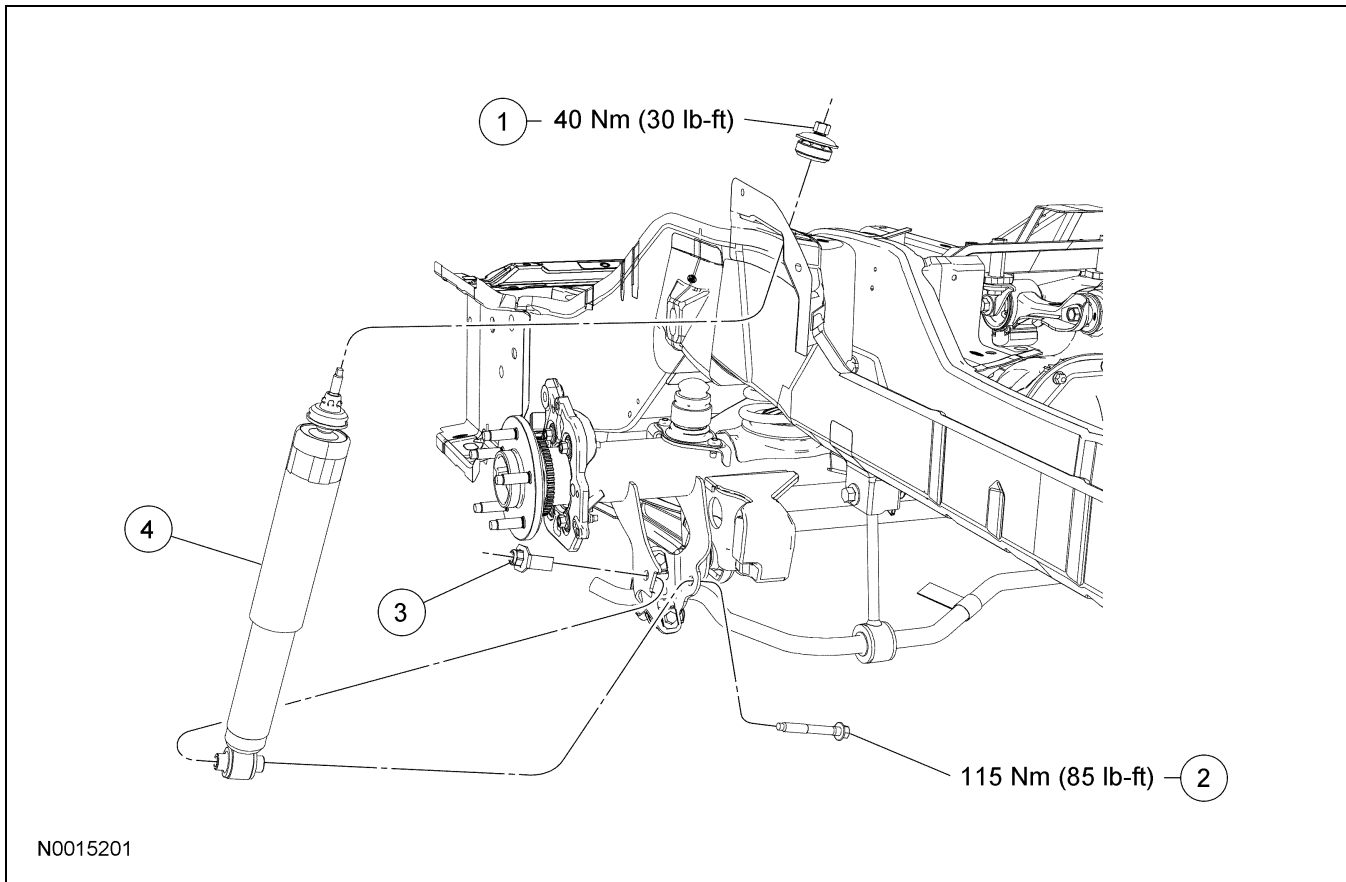


## REMOVAL AND INSTALLATION

### Rear Suspension — Exploded View

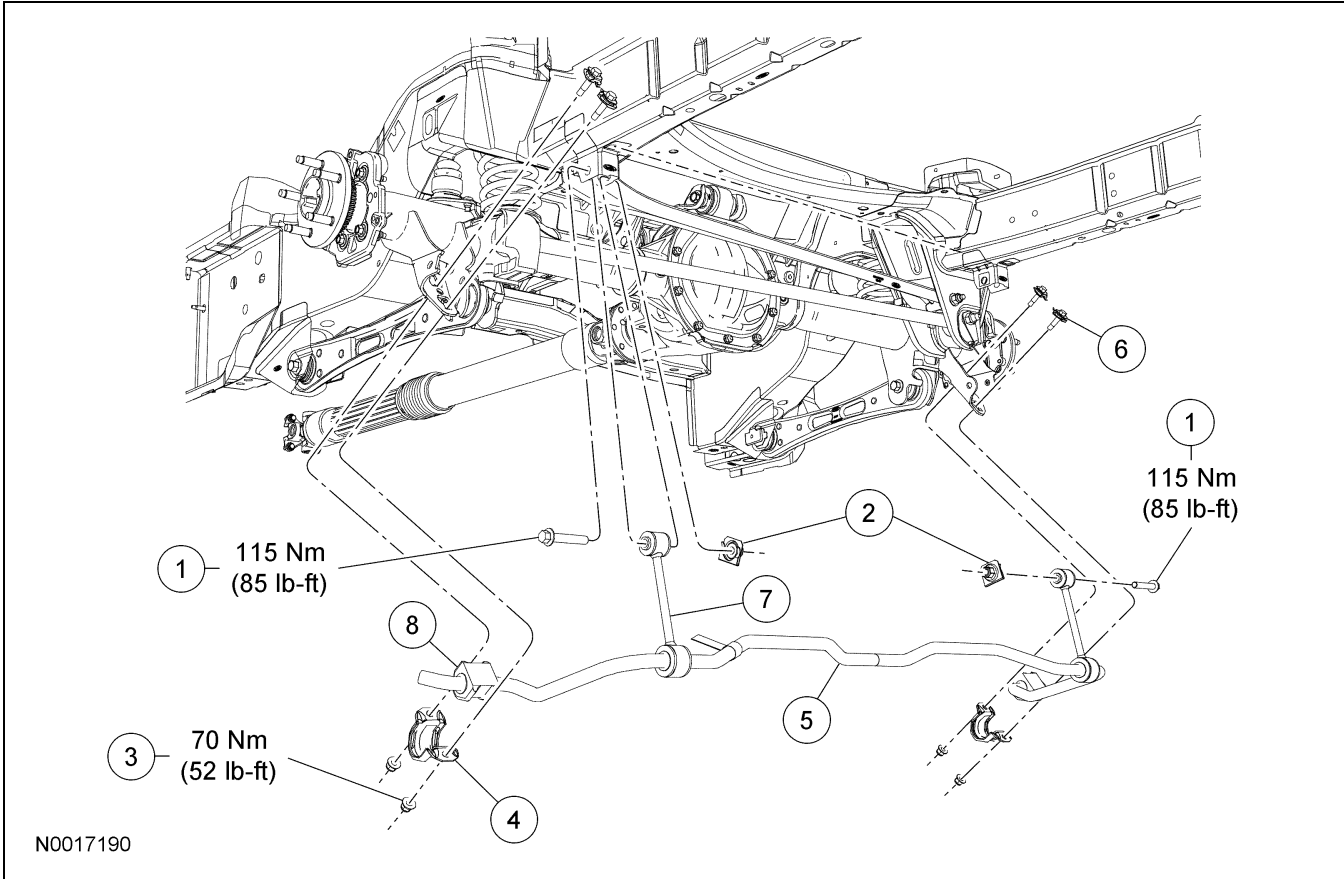


Item	Part Number	Description
1	—	Upper nut, washer and insulator (part of service kit 18008)
2	—	Shock lower bolt (part of service kit 18008)

(Continued)

Item	Part Number	Description
3	—	Shock flag nut (part of service kit 18008)
4	—	Shock (part of service kit 18008)

## REMOVAL AND INSTALLATION (Continued)

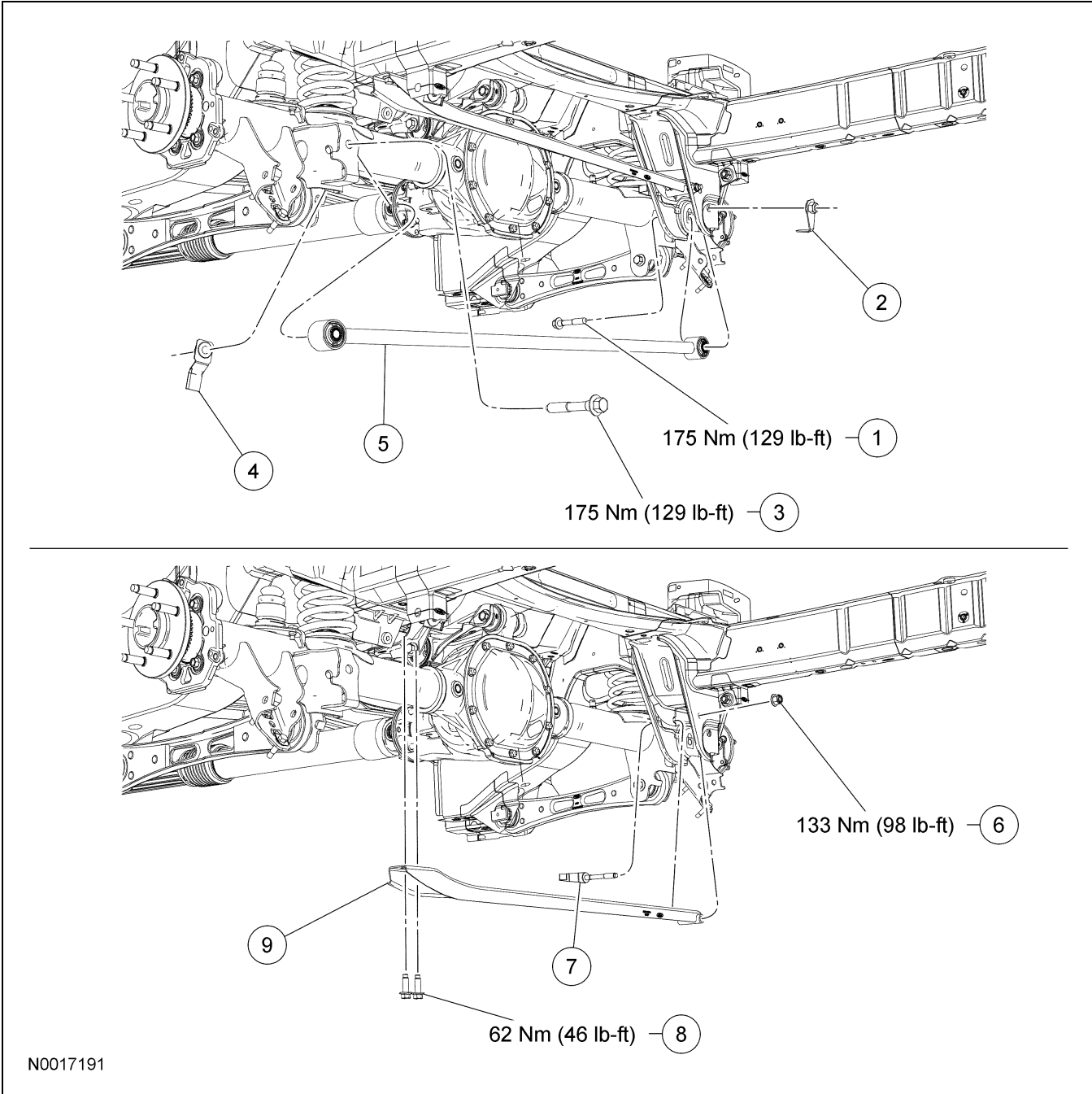


Item	Part Number	Description
1	W708737-S439	Link bolt (2 required)
2	W711029-S900	Clip nut (2 required)
3	W520213-S440	Bracket nut (4 required)
4	4R33-5486	Stabilizer bar bracket (2 required)
5	5A771	Stabilizer bar

(Continued)

Item	Part Number	Description
6	711368-S439	Clip studs (4 required)
7	5C488	Stabilizer bar link (2 required) also part of 5A771
8	4A037	Stabilizer bar bushing (2 required) also part of 5A771

REMOVAL AND INSTALLATION (Continued)

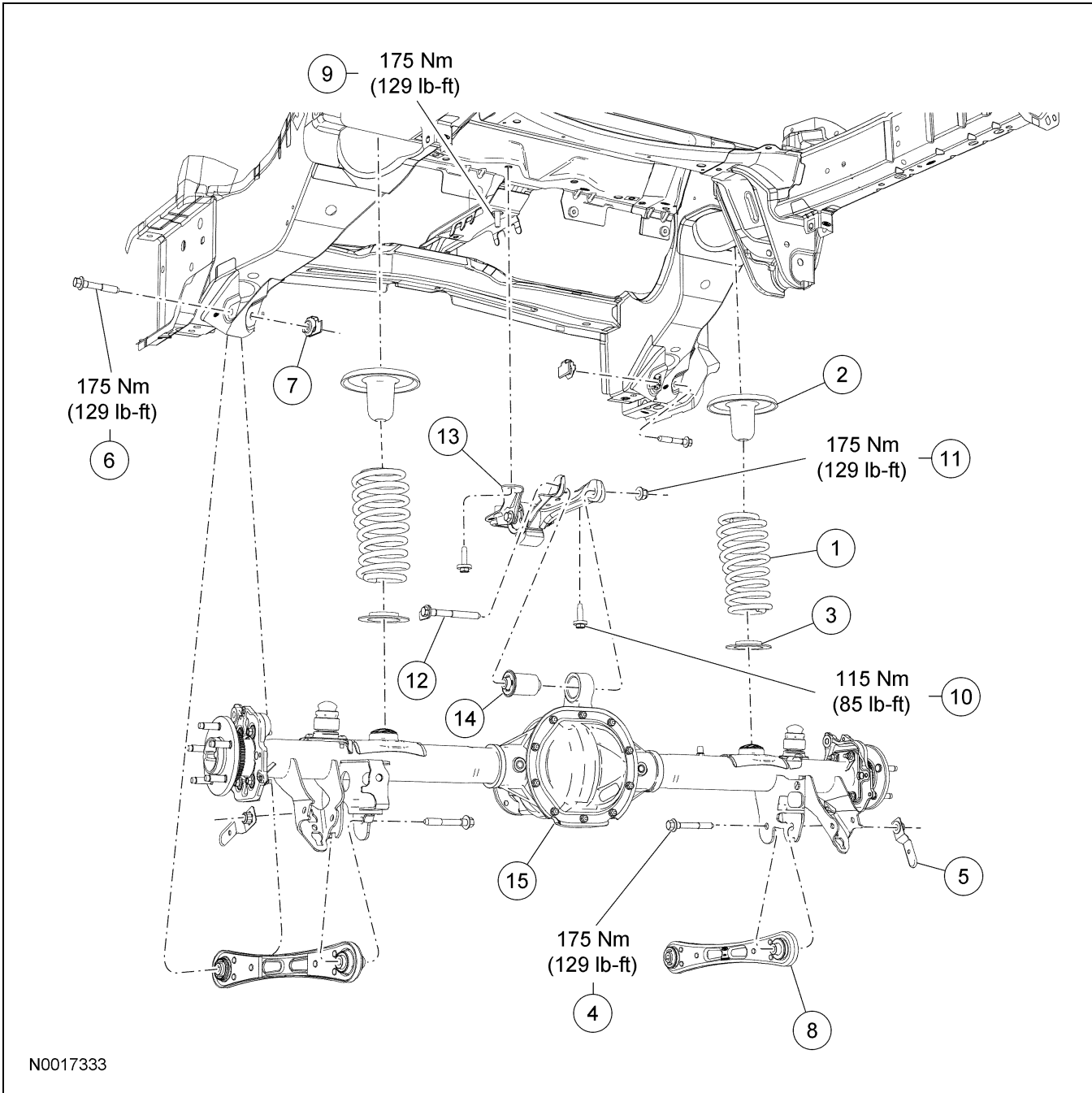


Item	Part Number	Description
1	W704886-S439	Panard rod bolt (RH)
2	W710022-S900	Panard rod flag nut (RH)
3	W704886-S439	Panard rod bolt (LH)
4	W710689-S900	Panard rod flag nut (LH)
5	4264	Panard rod

Item	Part Number	Description
6	W520214-S400	Lateral stiffener bar nut
7	W710693-S439	Lateral stiffener bar flag bolt
8	W711331-S439	Lateral stiffener bar-to-body bolts (2 required)
9	3424	Lateral stiffener bar

(Continued)

REMOVAL AND INSTALLATION (Continued)



N0017333

Item	Part Number	Description
1	5560	Spring (2 required)
2	5599	Upper insulator (2 required)
3	5536	Lower insulator (2 required)
4	W704888-S439	Lower control arm rear bolt (2 required)
5	W704991-S900	Lower control arm rear nut (2 required)
6	W704886-S439	Lower control arm front bolt (2 required)

(Continued)

Item	Part Number	Description
7	W710089-S440	Lower control arm front nut (2 required)
8	5538	Lower control arm (2 required)
9	W708795-S439	Upper control arm front bolt
10	W709884-S440	Upper control arm rear bolt (2 required)
11	W520215-S440	Upper control arm rear nut
12	W710051-S439	Upper control arm flag bolt
13	5K671	Upper control arm

(Continued)

**REMOVAL AND INSTALLATION (Continued)**

Item	Part Number	Description
14	5A638	Upper control arm bushing
15	—	Rear axle assembly

1. For additional information, refer to the procedure in this section.