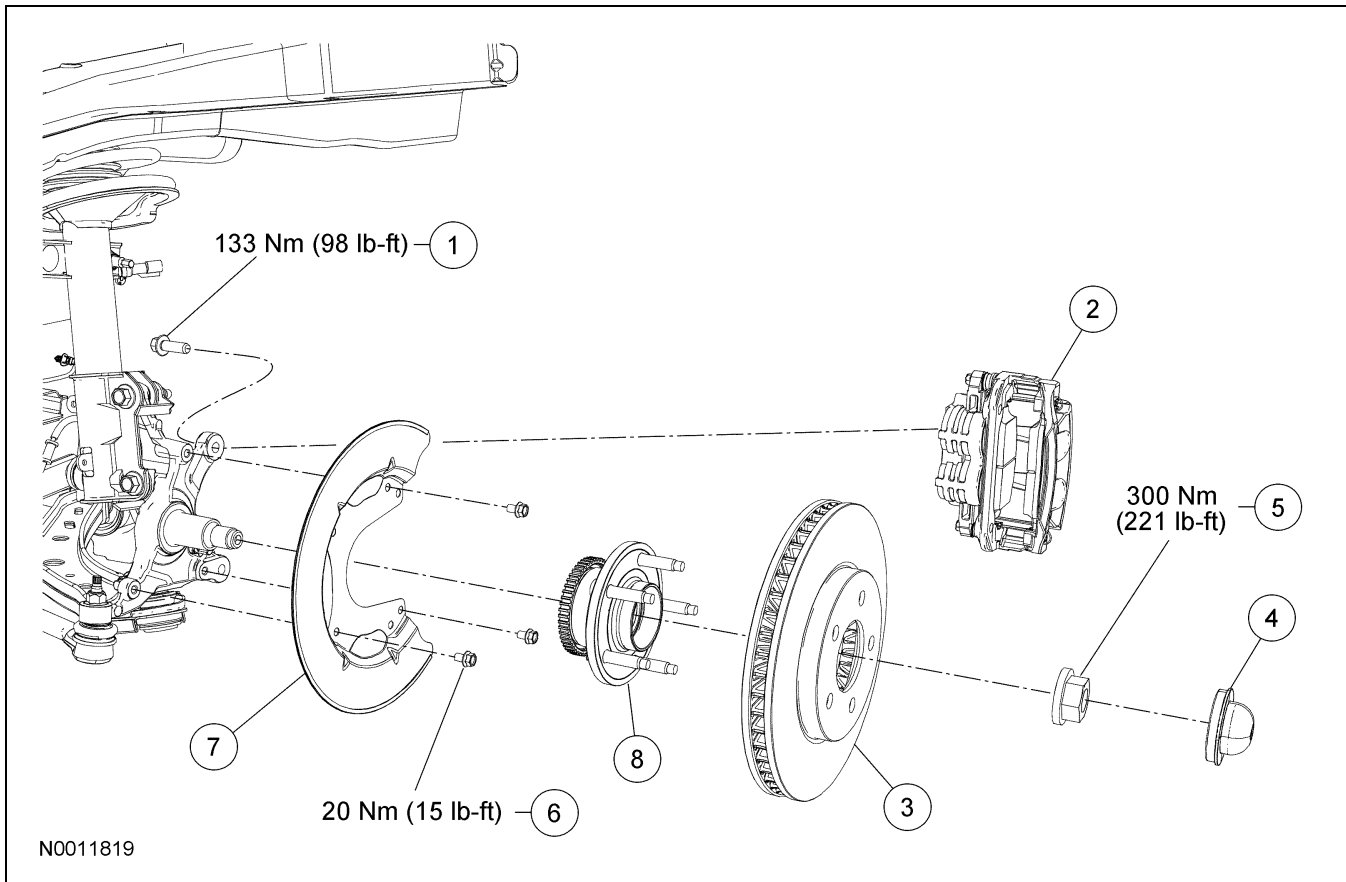


REMOVAL AND INSTALLATION

Front Suspension — Exploded View

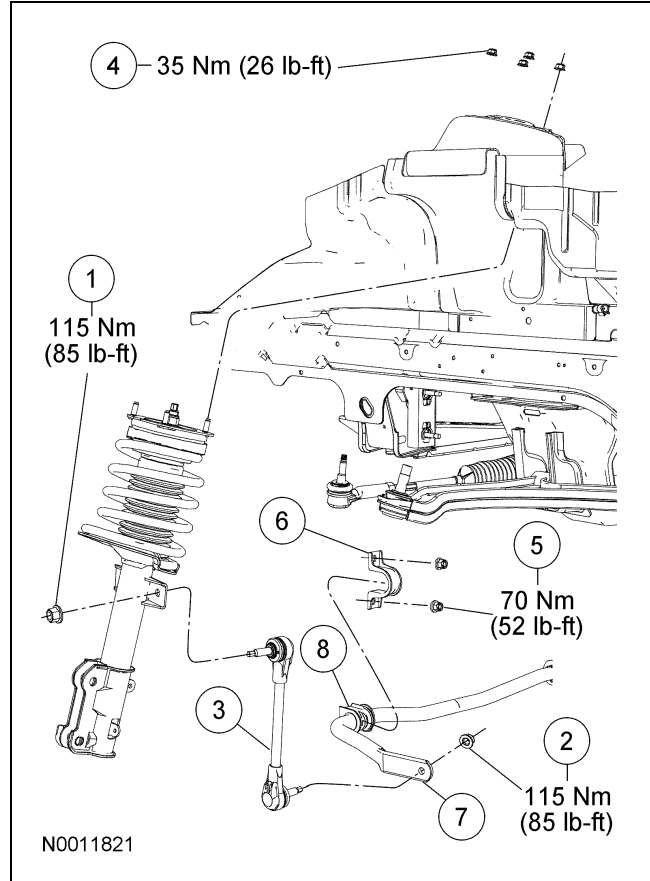
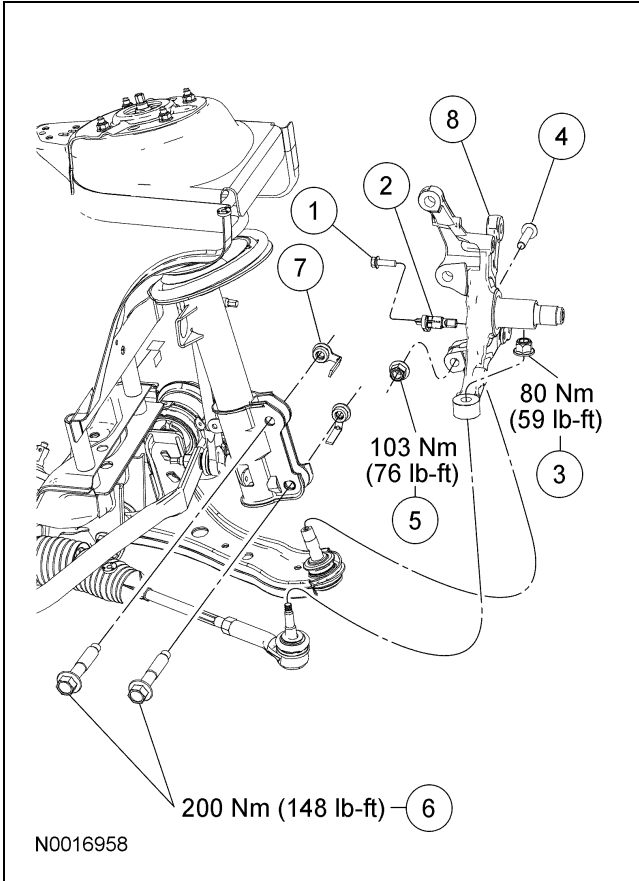


Item	Part Number	Description
1	W710233-S	Brake caliper bracket bolt (2 required)
2	2B119	Brake caliper assembly
3	1125	Brake disc
4	1N135	Wheel hub grease cap

(Continued)

Item	Part Number	Description
5	3B477	Wheel hub retainer nut
6	—	Dust shield bolt (3 required)
7	2K004	Dust shield
8	2B663/2C300	Wheel hub assembly (ABS/non-ABS)

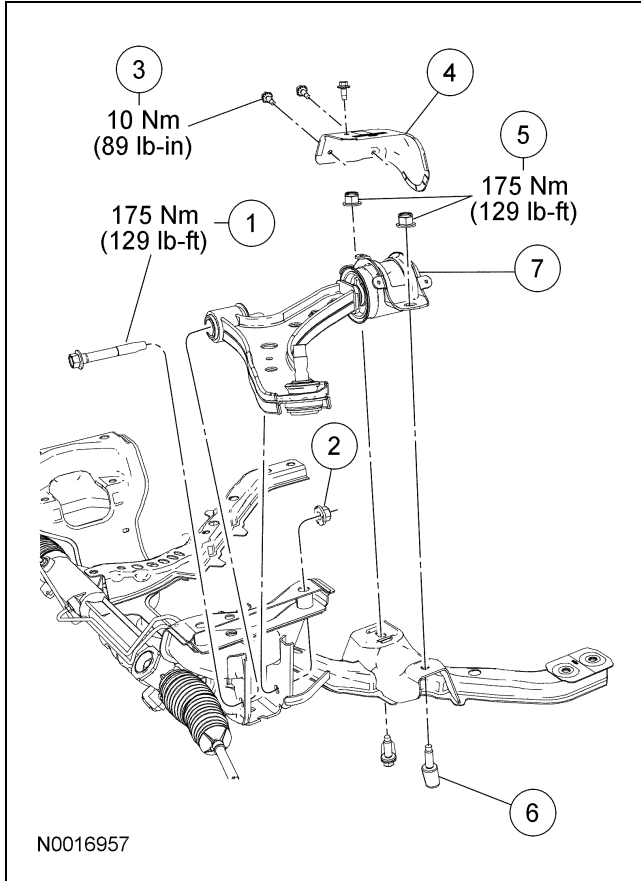
REMOVAL AND INSTALLATION (Continued)



Item	Part Number	Description
1	—	Wheel speed sensor bolt
2	2C204	Wheel speed sensor
3	W705606-S	Outer tie rod end nut
4	W711123-S	Wheel spindle pinch bolt
5	W520214-S	Wheel spindle pinch nut
6	W709870-S	Strut-to-wheel spindle bolt (2 required)
7	W711091-S	Strut-to-wheel spindle flag nut (2 required)
8	3108/3107	Wheel spindle (RH/LH)

Item	Part Number	Description
1	N807144-S440	Stabilizer bar link upper nut
2	N807144-S440	Stabilizer bar link lower nut
3	5K483	Stabilizer bar link
4	W520112-S440	Strut-to-body nut (4 required)
5	W520213-S440	Stabilizer bar bracket nut (4 required)
6	4W13-5486	Stabilizer bar bracket (2 required)
7	5482	Stabilizer bar
8	5484	Stabilizer bar bushing (2 required)

REMOVAL AND INSTALLATION (Continued)



Item	Part Number	Description
3	W505251	Heat shield bolt (3 required)
4	—	Heat shield
5	W520215-S	Lower control arm rearward nut (2 required)
6	W710141-S	Lower control arm rearward flag bolt (2 required)
7	3A053/3A052	Lower control arm (LH/RH)

1. For additional information, refer to the procedures in this section.

Item	Part Number	Description
1	W709865-S	Lower control arm forward bolt
2	—	Lower control arm forward nut

(Continued)