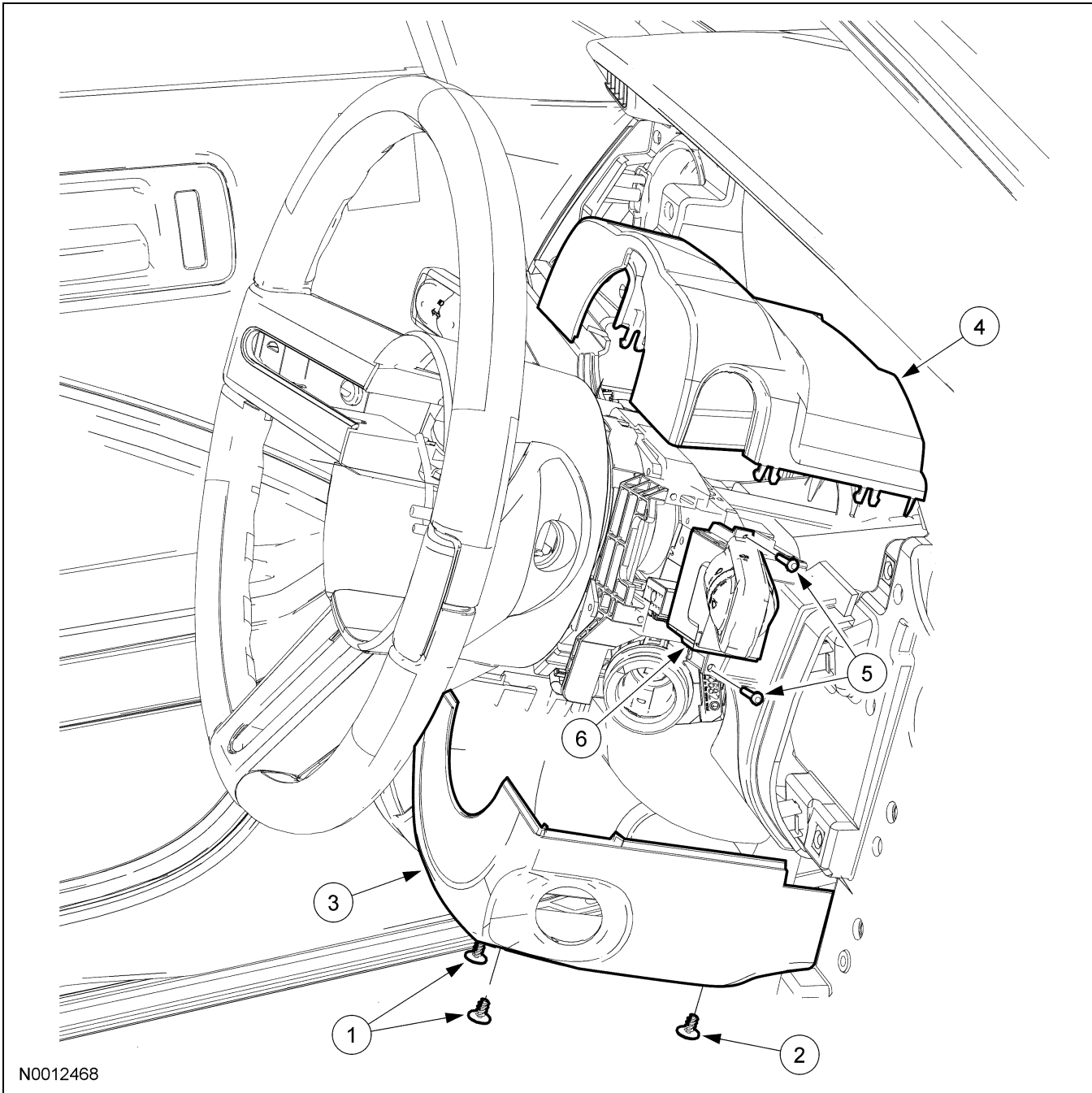


REMOVAL AND INSTALLATION

Windshield Wiper/Washer Switch

Windshield Wiper/Washer Switch Exploded View



N0012468

Item	Part Number	Description
1	W707281-S	Steering column lower shroud screws (2 required)
2	W706731-S424	Steering column lower shroud screw
3	3530	Steering column lower shroud

(Continued)

Item	Part Number	Description
4	3533	Steering column upper shroud
5	W505924-S	Windshield wiper/washer switch screws (2 required)
6	17A553	Windshield wiper/washer switch

REMOVAL AND INSTALLATION (Continued)**Removal and Installation**

1. Remove the 3 screws and the steering column upper and lower shrouds.
 2. Remove the 2 windshield wiper/washer switch screws.
 3. Disconnect the electrical connector and remove the windshield wiper/washer switch.
 4. To install, reverse the removal procedure.
-