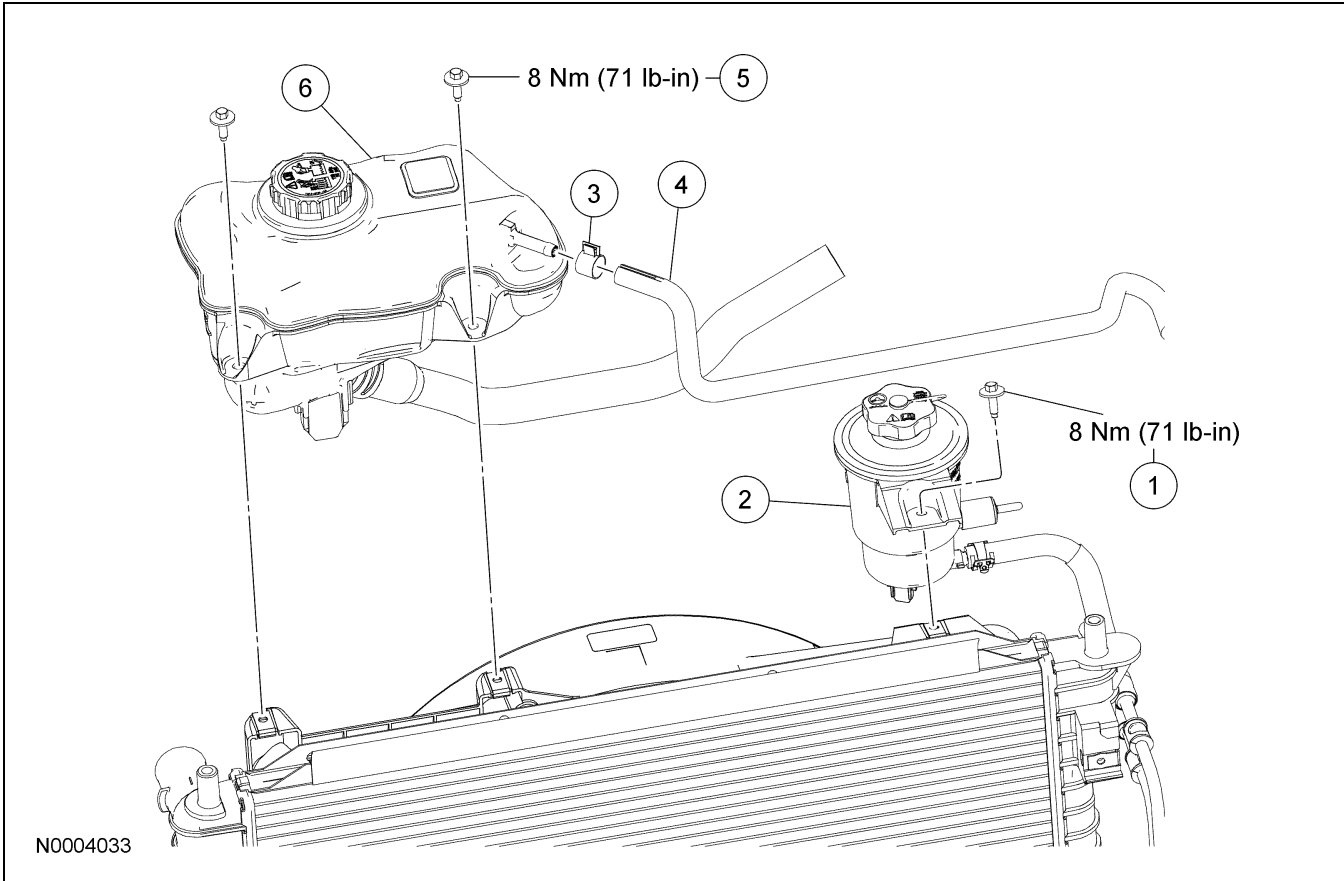


REMOVAL AND INSTALLATION

Cooling Fan Motor and Shroud

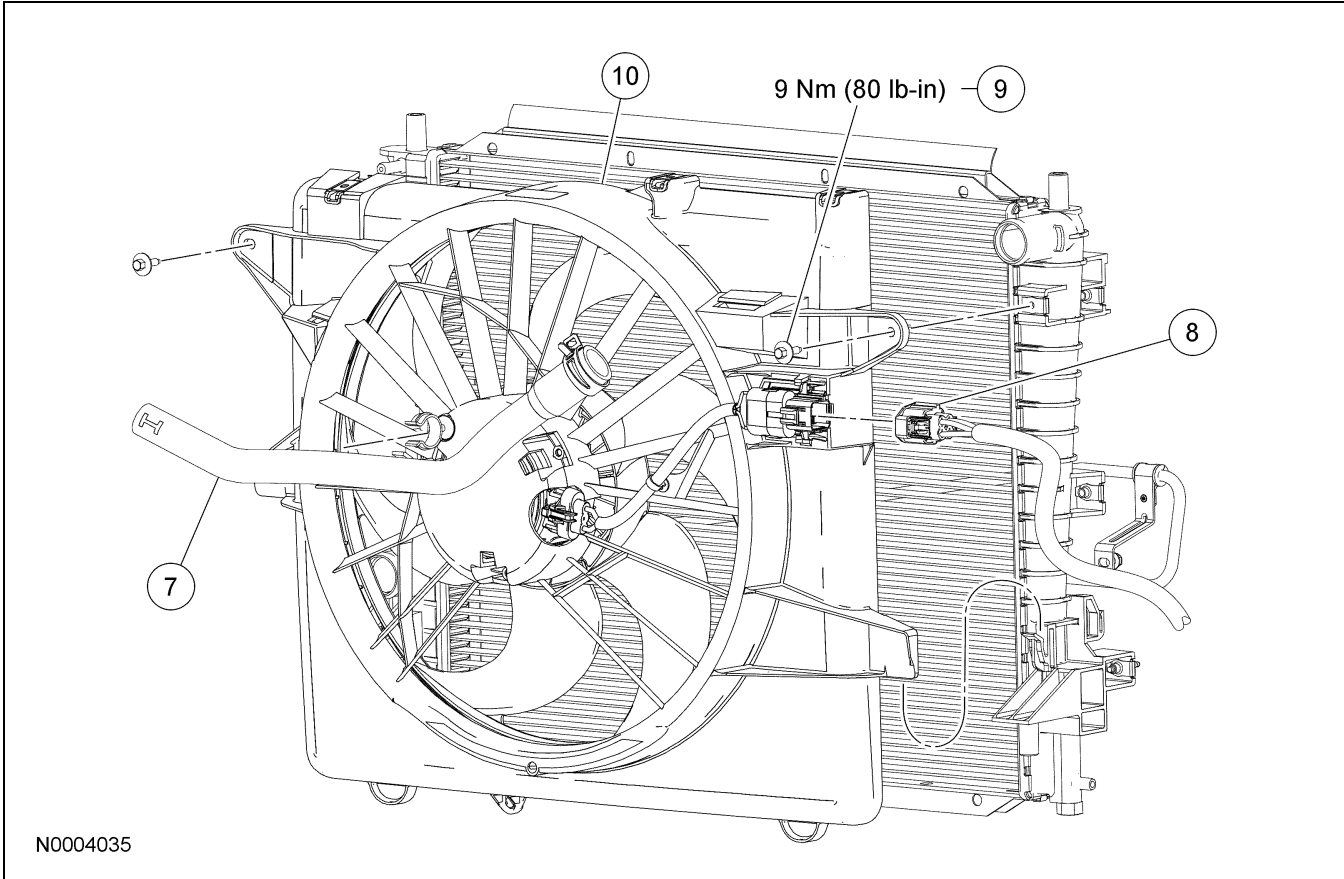


Item	Part Number	Description
1	W503924	Power steering reservoir bolt
2	3R700	Power steering reservoir
3	W527383	Upper degas bottle hose clamp

(Continued)

Item	Part Number	Description
4	8C633	Upper degas bottle hose
5	W503924	Degas bottle bolt (2 required)
6	8A080	Degas bottle

REMOVAL AND INSTALLATION (Continued)



N0004035

Item	Part Number	Description
7	8C350	Lower degas bottle hose
8	14A464	Cooling fan motor and shroud electrical connector
9	N606676	Cooling fan motor and shroud bolt (2 required)
10	8C607	Cooling fan motor and shroud

Removal and Installation

1. Disconnect the battery ground cable. For additional information, refer to Section 414-01.
2. Remove the air cleaner outlet pipe. For additional information, refer to Section 303-12.
3. Remove the bolt and position aside the power steering reservoir.
 - To install, tighten to 8 Nm (71 lb-in).
4. Remove the 2 bolts and position aside the degas bottle.
 - To install, tighten to 8 Nm (71 lb-in).
5. Detach the lower degas bottle hose and position aside.
6. Disconnect the cooling fan motor and shroud electrical connector.
7. Remove the 2 bolts and the cooling fan motor and shroud.
 - To install, tighten to 9 Nm (80 lb-in).
8. To install, reverse the removal procedure.