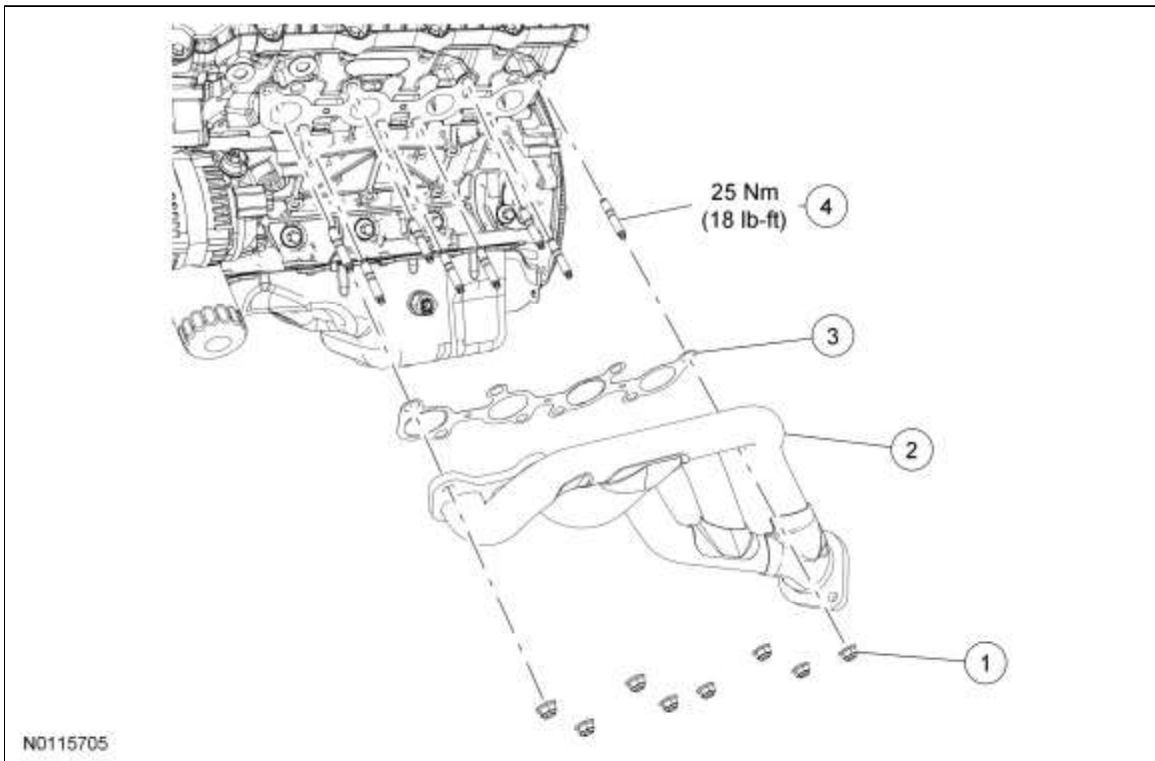


Exhaust Manifold — LH

Material

Item	Specification
Motorcraft® Metal Surface Prep Wipes ZC-31-B	—

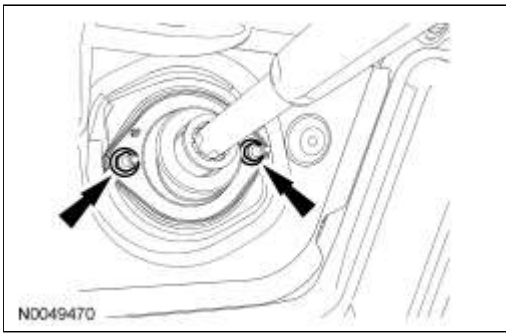
LH Exhaust Manifold



Item	Part Number	Description
1	W714870	LH exhaust manifold nuts (8 required)
2	9431	LH exhaust manifold
3	9448	LH exhaust manifold gasket
4	W714869	LH exhaust manifold studs (8 required)

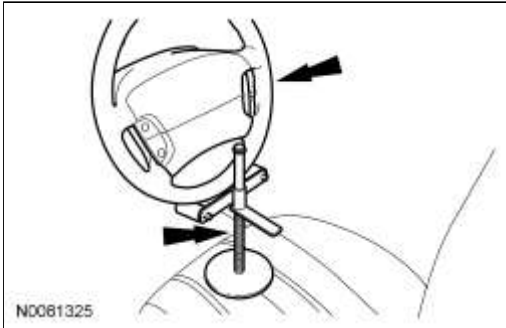
Removal

1. With the vehicle in NEUTRAL, position it on a hoist. For additional information, refer to [Section 100-02](#).
2. Disconnect the battery ground cable. For additional information, refer to [Section 414-01](#).
3. Remove the 2 steering column dash boot nuts.



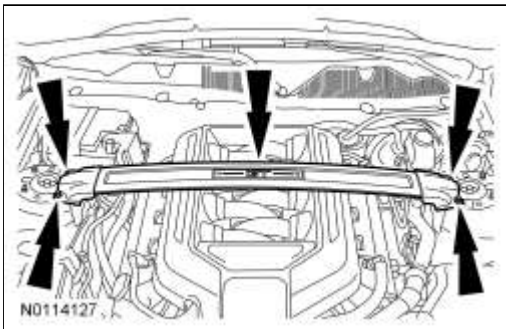
4. **NOTE:** Use a steering wheel holding device (such as Hunter® 28-75-1 or equivalent).

Using a suitable holding device, hold the steering wheel in the straight-ahead position.



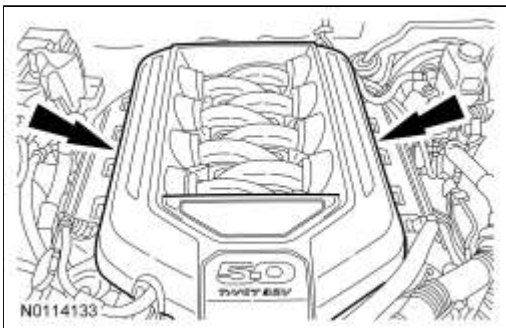
5. **NOTE:** Base 5.0L (4V) vehicle shown, Boss® 302 similar.

If equipped, remove the 4 nuts and the strut tower cross brace.



6. **NOTE:** The engine appearance cover rubber grommets may remain on the cover. If so, remove the grommets from the cover and install them on the intake manifold before installing the cover.

If equipped, remove the engine appearance cover.

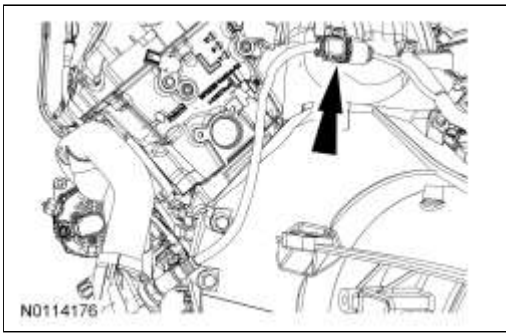


7. Disconnect the sound enhancement pipe from the Air Cleaner (ACL) outlet pipe and the ACL . For additional information, refer to the exploded view in [Section 303-12](#).

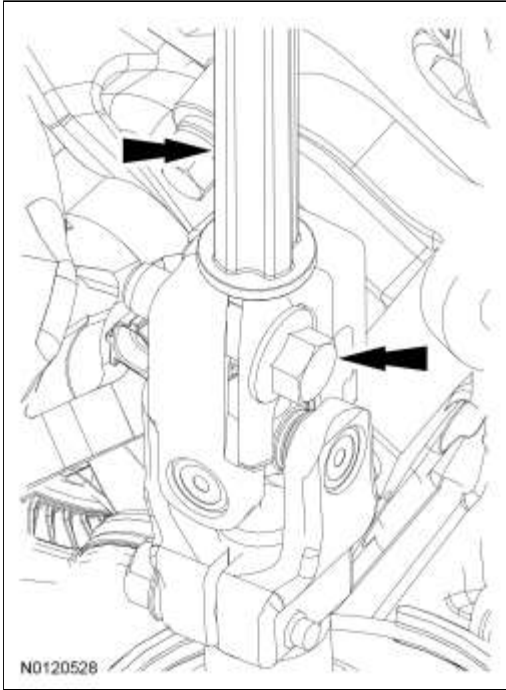
- Position the sound enhancement pipe aside.

8. Remove the LH catalytic converter. For additional information, refer to [Section 309-00](#).

9. Disconnect the LH Heated Oxygen Sensor (HO2S) electrical connector.



10. Remove the bolt and position the steering intermediate shaft aside.



11. Remove the 8 nuts and the LH exhaust manifold.

- Discard the gasket.

12. Clean and inspect the LH exhaust manifold. For additional information, refer to [Section 303-00](#).

13. Remove and discard the 8 LH exhaust manifold studs.

Installation

1. **NOTICE: Do not use metal scrapers, wire brushes, power abrasive discs or other abrasive means to clean the sealing surfaces. These tools cause scratches and gouges which make leak paths. Use a plastic scraper to clean the sealing surfaces.**

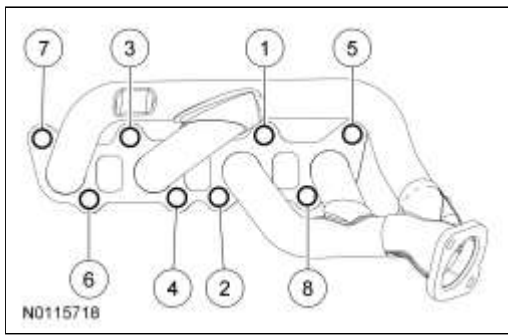
Clean the exhaust manifold mating surface of the cylinder head with metal surface prep. Follow the directions on the packaging.

2. Install 8 new LH exhaust manifold studs.

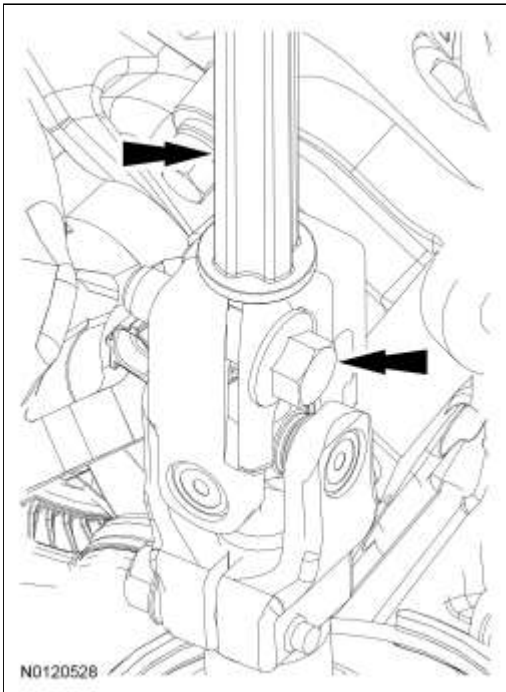
- Tighten to 25 Nm (18 lb-ft).

3. Install new gaskets, the LH exhaust manifold and 8 new nuts.

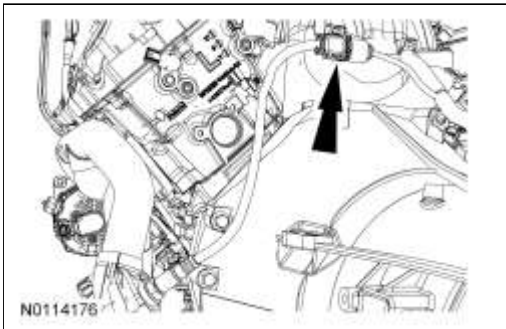
- Tighten nuts in the sequence shown in 2 stages.
 - Stage 1: Tighten to 24 Nm (18 lb-ft).
 - Stage 2: Tighten to 32 Nm (24 lb-ft).



4. Position the steering intermediate shaft and install the bolt.
 - Tighten to 47 Nm (35 lb-in).

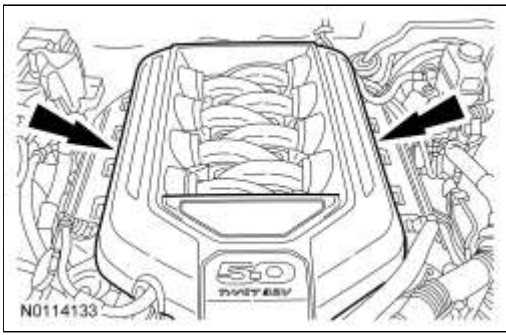


5. Connect the LH HO2S electrical connector.



6. Install the LH catalytic converter. For additional information, refer to [Section 309-00](#).
7. Connect the sound enhancement pipe to the ACL outlet pipe and the ACL . For additional information, refer to the exploded view in [Section 303-12](#).
8. **NOTE:** *The engine appearance cover rubber grommets may remain on the cover. If so, remove the grommets from the cover and install them on the intake manifold before installing the cover.*

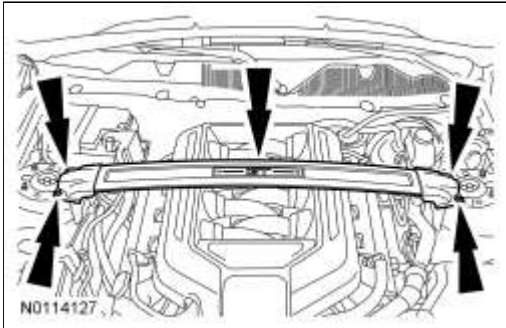
If equipped, install the engine appearance cover.



9. **NOTE:** Base 5.0L (4V) vehicle shown, Boss® 302 similar.

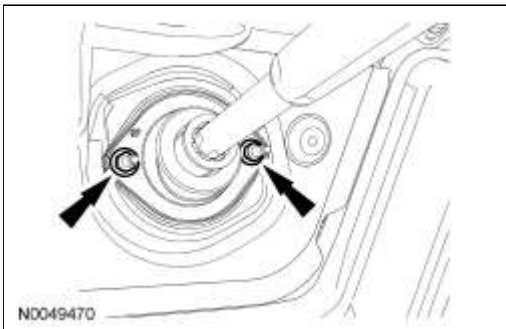
If equipped, install the strut tower cross brace and the 4 nuts.

- Tighten to 35 Nm (26 lb-ft).



10. Install the 2 steering column dash boot nuts.

- Tighten to 9 Nm (80 lb-in).



11. Connect the battery ground cable. For additional information, refer to [Section 414-01](#).