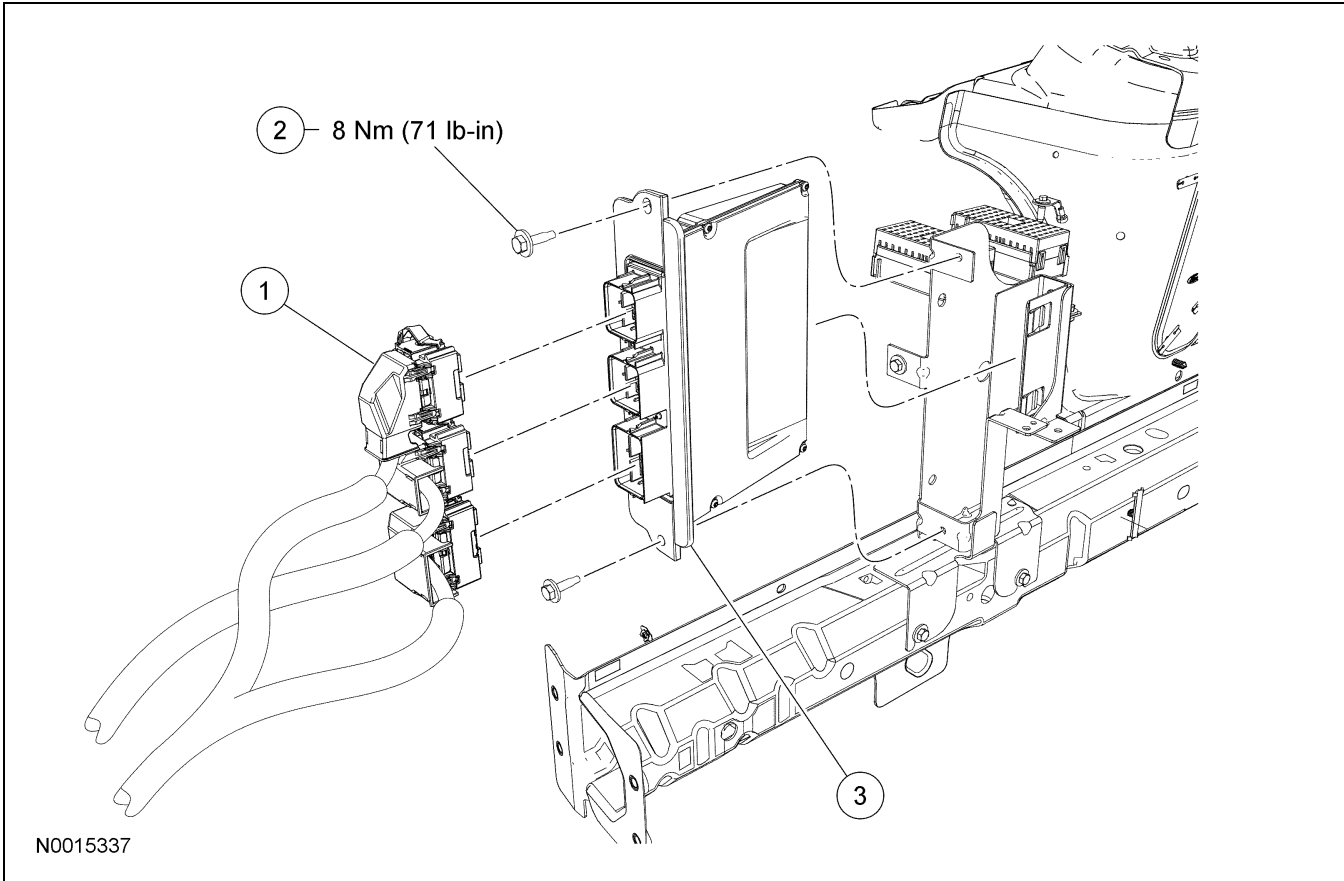


REMOVAL AND INSTALLATION

Powertrain Control Module (PCM)



Item	Part Number	Description
1	14A464	Powertrain control module (PCM) electrical connector (3 required)
2	W505423	PCM bolt (2 required)
3	12A650	PCM

2. Disconnect the 3 powertrain control module (PCM) electrical connectors.
3. Remove the 2 bolts and the PCM.
 - To install, tighten to 8 Nm (71 lb-in).
4. To install, reverse the removal procedure.

Removal and Installation

1. Disconnect the battery ground cable. For additional information, refer to Section 414-01.