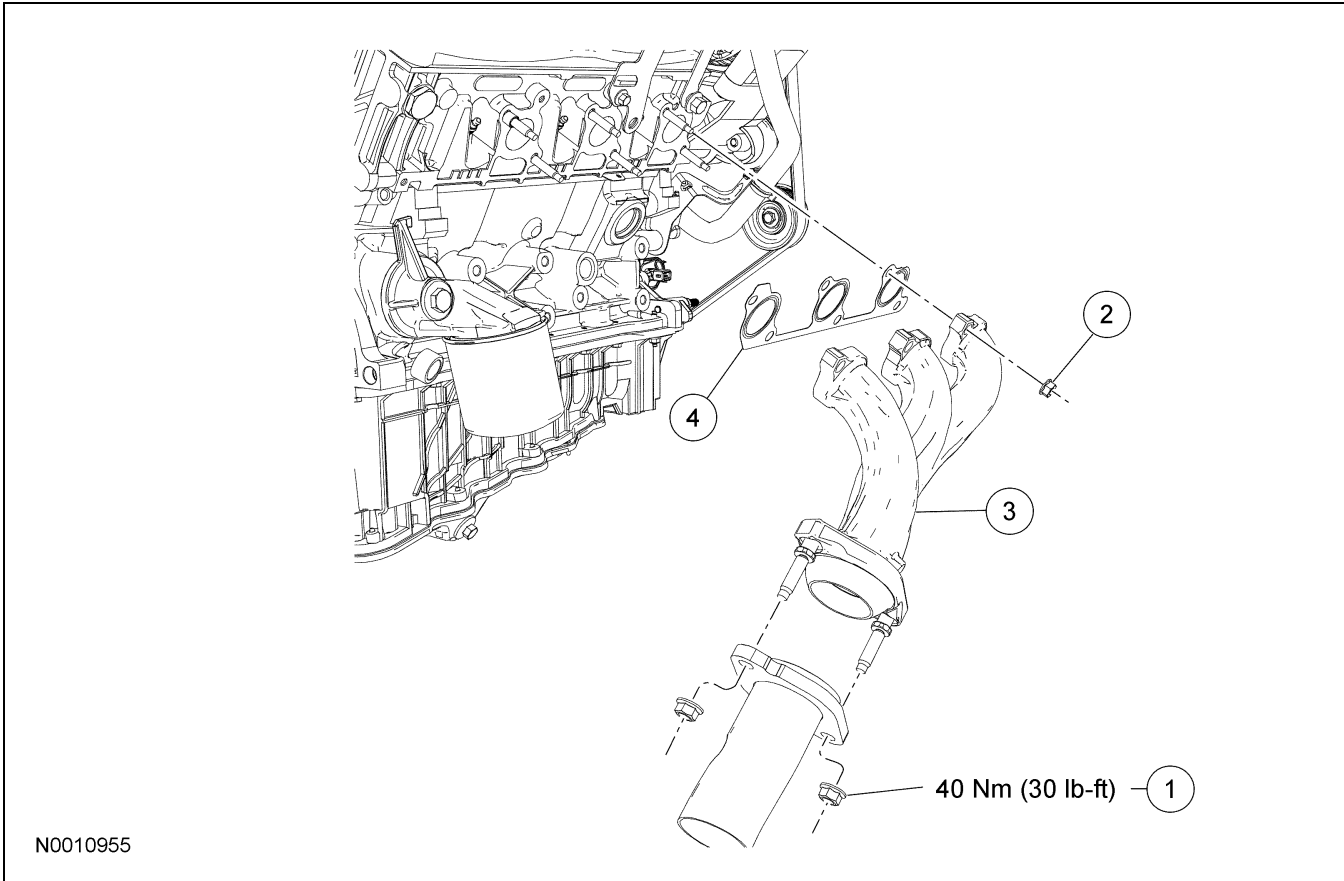


## IN-VEHICLE REPAIR

### Exhaust Manifold — RH



Item	Part Number	Description
1	W701706	RH catalytic converter-to-exhaust manifold nut (2 required)
2	W701706	RH exhaust manifold nut (6 required)
3	9430	RH exhaust manifold
4	9448	RH exhaust manifold gasket

#### Removal and Installation

1. With the vehicle in NEUTRAL, position it on a hoist. For additional information, refer to Section 100-02.

2. Remove the 2 catalytic converter-to-exhaust manifold nuts.
  - To install, tighten to 40 Nm (30 lb-ft).
3. Remove the nuts, the RH exhaust manifold and the gasket.
  - To install, tighten to 23 Nm (17 lb-ft).
  - Discard the gasket.
4. **NOTE:** Install a new RH exhaust manifold gasket.  
To install, reverse the removal procedure.