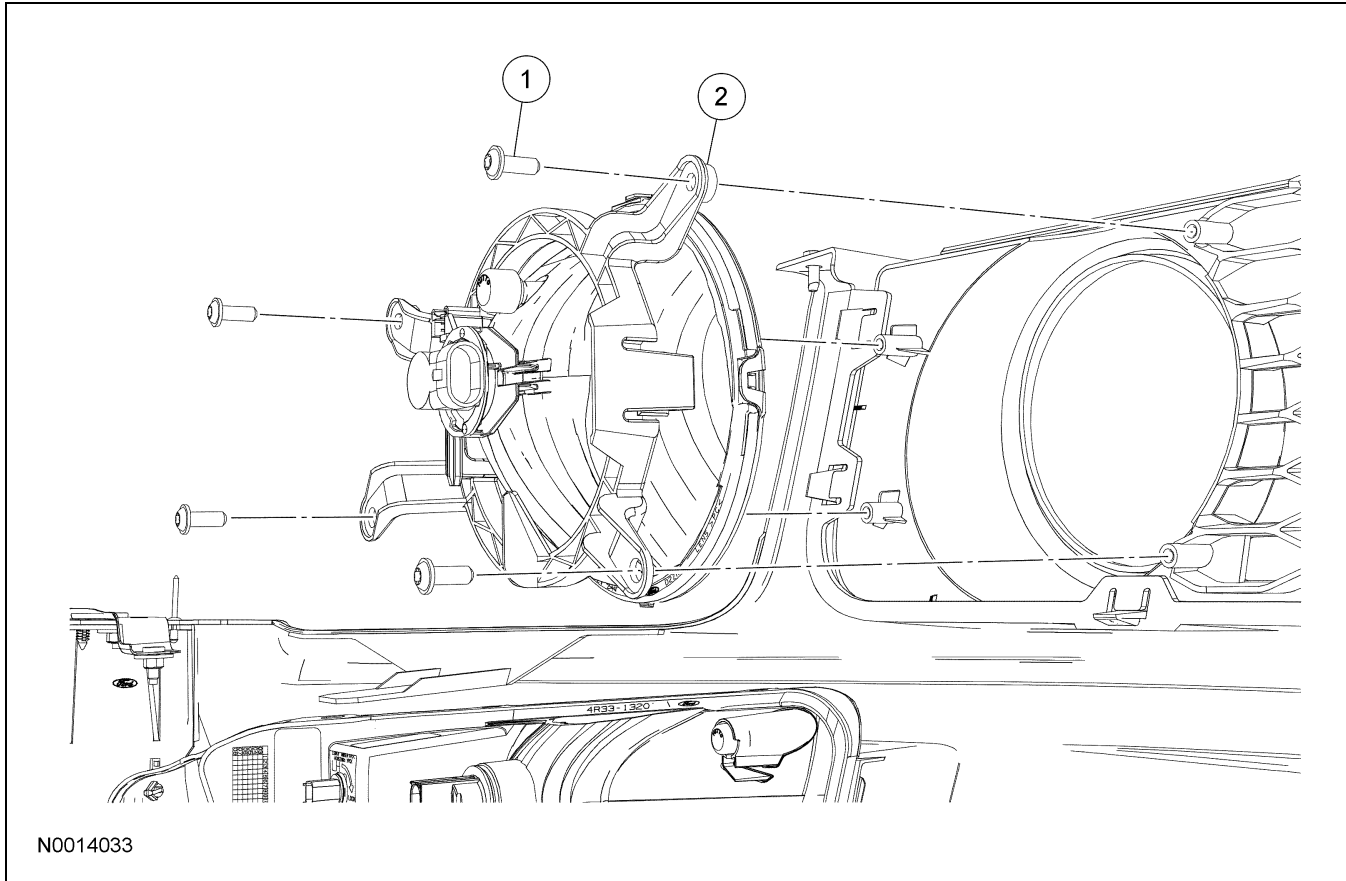


REMOVAL AND INSTALLATION

Fog Lamp



| Item | Part Number | Description |
|------|--------------|--------------------------|
| 1 | W505974-S | Foglamp mounting bolts |
| 2 | 15K201/15201 | Foglamp assembly (RH/LH) |

2. Remove the 4 foglamp mounting bolts.
3. Remove the foglamp assembly.
4. To install, reverse the removal procedure.

Removal and Installation

1. Remove the front bumper cover. For additional information, refer to Section 501-19.