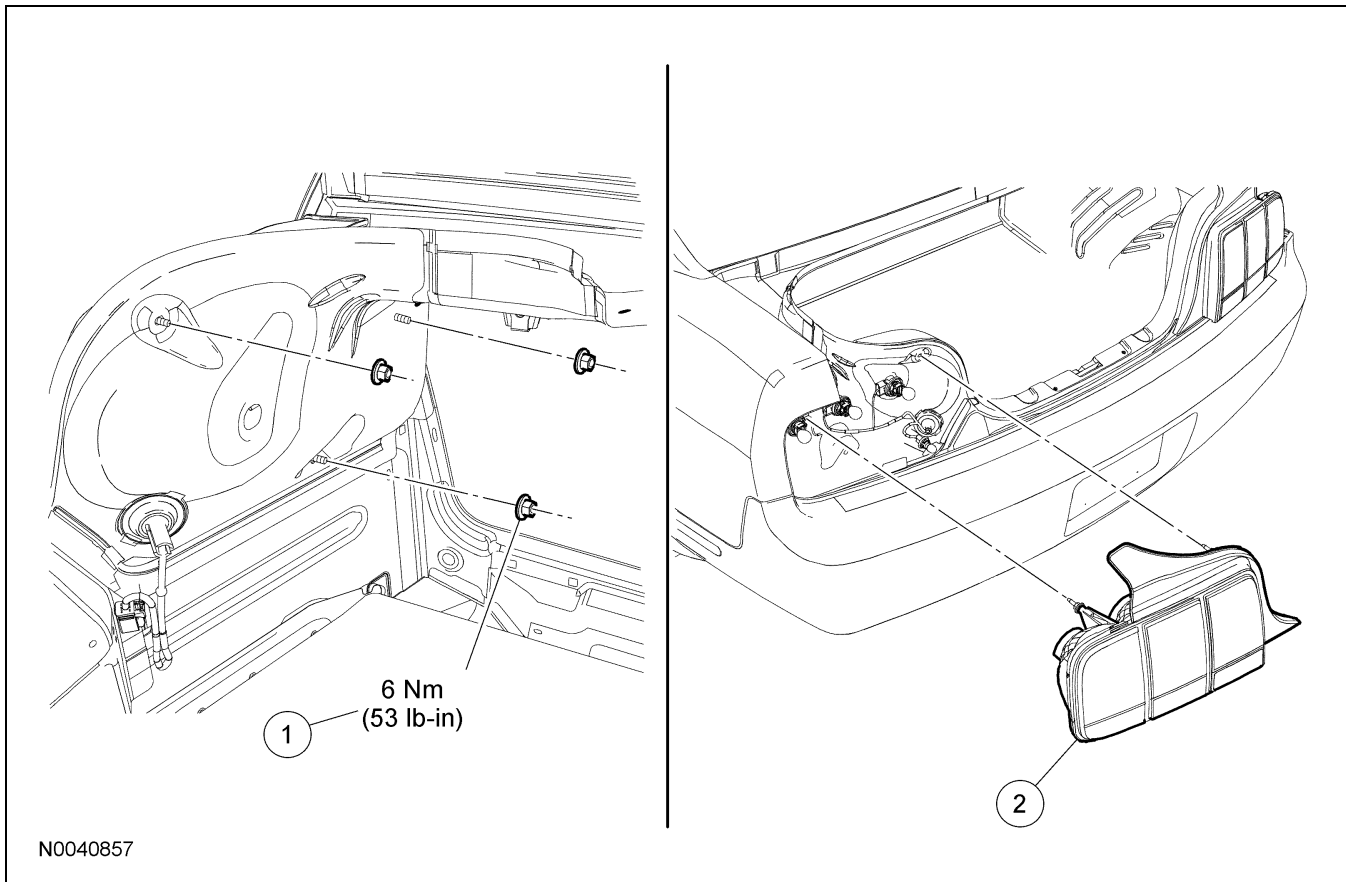


REMOVAL AND INSTALLATION

Rear Lamp Assembly



Item	Part Number	Description
1	N621926-S424	Rear lamp mounting nuts (3 required)
2	13B404/13B405	Rear lamp assembly (RH/LH)

Removal and Installation

NOTE: If the vehicle is equipped with a factory installed subwoofer, the subwoofer must be removed before removing the right side rear lamp.

1. Remove the rear luggage compartment trim panel.
2. Remove the pushpin retainer and position the trim panel aside.
3. Remove the LH side luggage compartment trim panel.
4. Remove the 3 rear lamp mounting nuts.
 - To install, tighten to 6 Nm (53 lb-in).
5. Remove the rear lamp assembly.
 - Remove the bulbs from the rear lamp assembly.
6. To install, reverse the removal procedure.