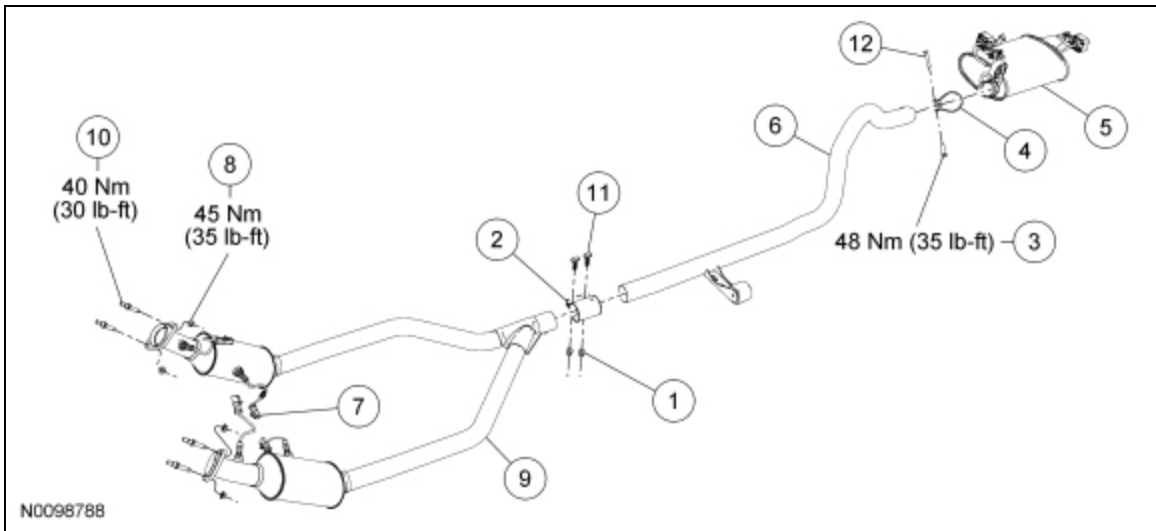


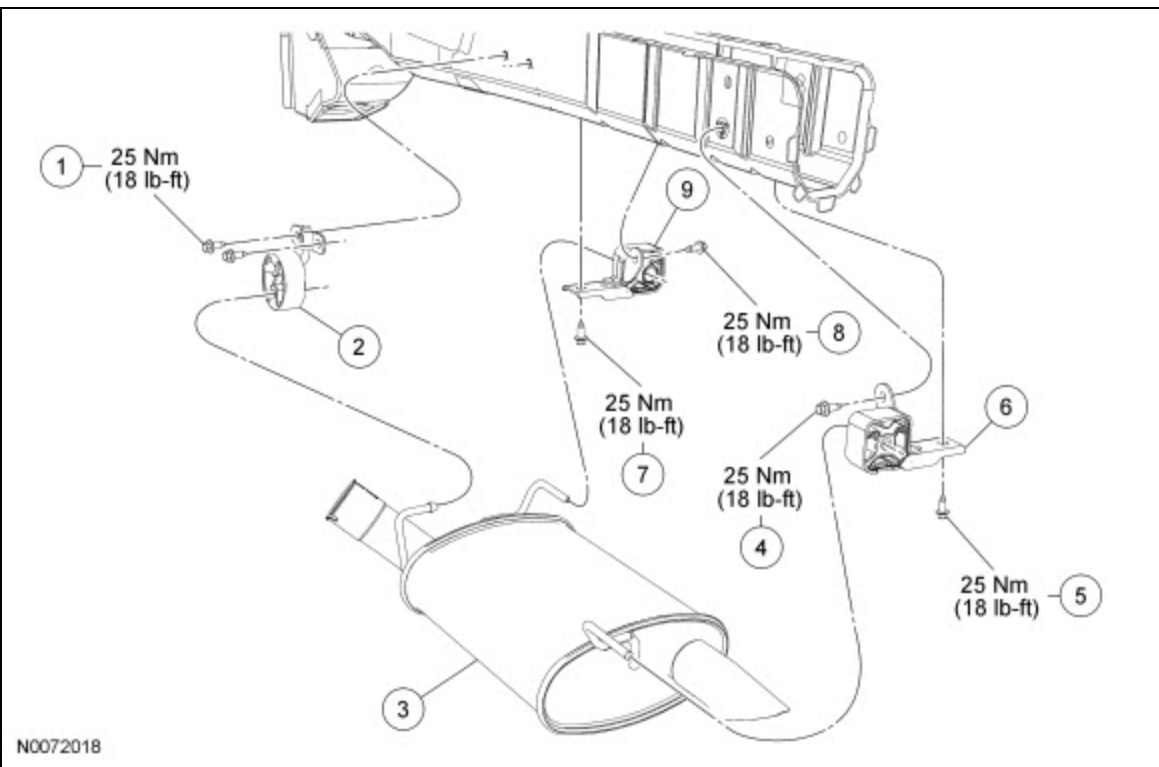
Exhaust System — Exploded View

4.0L (View 1 of 2)



| Item | Part Number | Description |
|------|-------------|---|
| 1 | — | Exhaust coupler nut (2 required) (part of 5A281) |
| 2 | 5A281 | Exhaust coupler |
| 3 | — | Exhaust clamp nut (part of 5270) |
| 4 | 5270 | Exhaust clamp |
| 5 | 5230 | Muffler |
| 6 | 5A212 | Intermediate pipe |
| 7 | — | Heated Oxygen Sensor (HO2S) electrical connector |
| 8 | W705443 | Catalytic converter-to-manifold nut (4 required) |
| 9 | 5F250 | Catalytic converter assembly (Y-pipe) |
| 10 | W714407 | Exhaust manifold stud (4 required) |
| 11 | — | Exhaust coupler bolt (2 required) (part of 5A281) |
| 12 | — | Exhaust clamp bolt (part of 5270) |

4.0L (View 2 of 2)

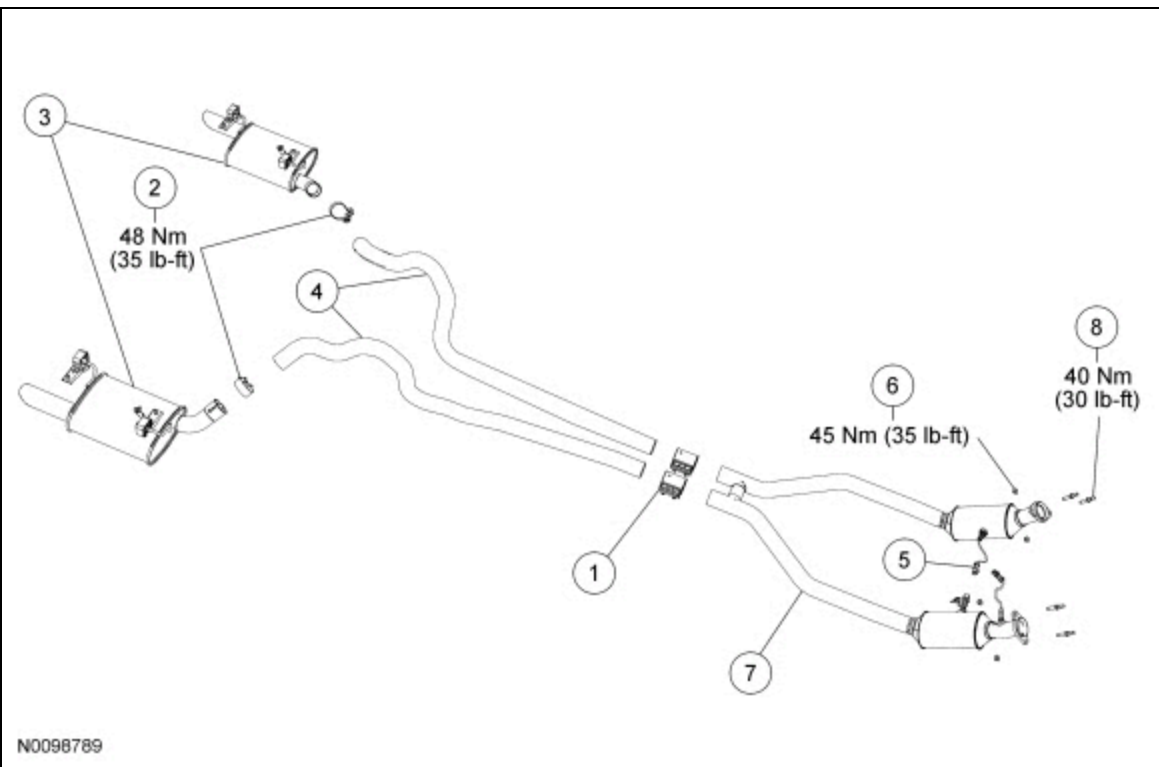


N0072018

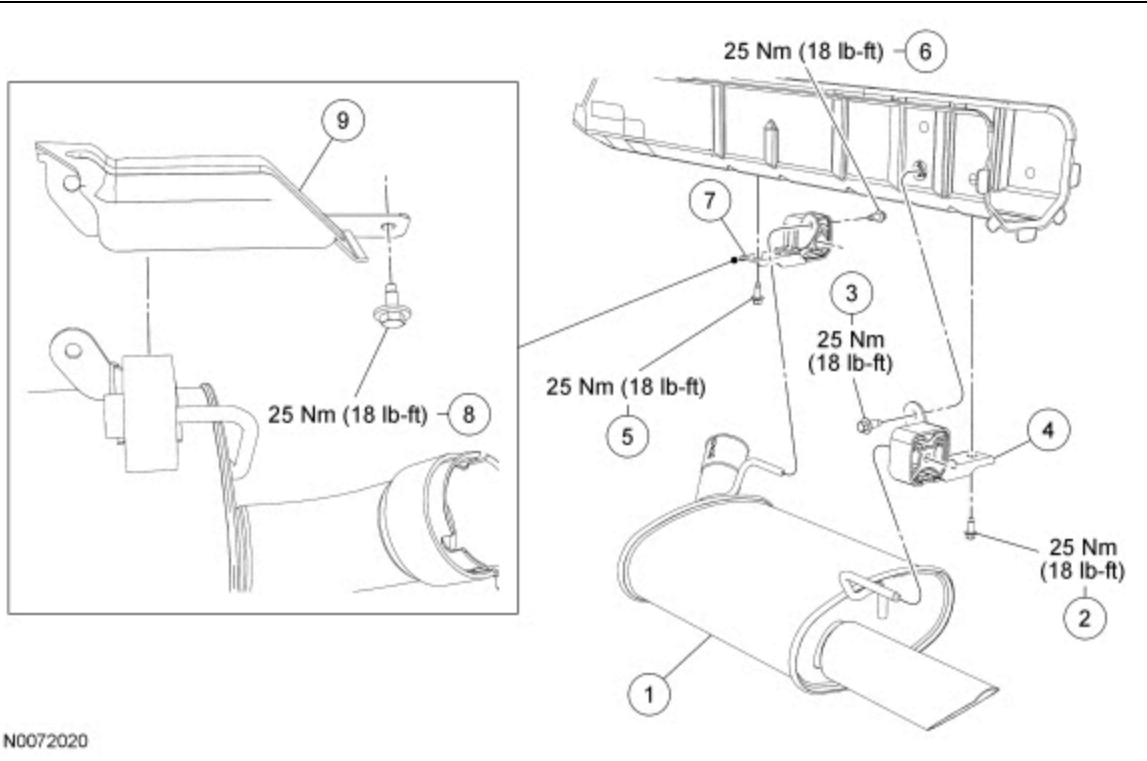
| Item | Part Number | Description |
|------|-------------|------------------------------------|
| 1 | W707079 | RH rear isolator bolt (2 required) |
| 2 | 5A262 | RH rear isolator |
| 3 | 5230 | Muffler |
| 4 | W707079 | Front isolator top bolt |
| 5 | W707079 | Front isolator bottom bolt |
| 6 | 5A246 | Front isolator |
| 7 | W707079 | LH rear isolator bottom bolt |
| 8 | W707079 | LH rear isolator top bolt |
| 9 | 5A246 | LH rear isolator |

V8 Engines (View 1 of 2)

NOTE: 4.6L shown, 5.4L similar.



| Item | Part Number | Description |
|------|-----------------------|--|
| 1 | 5A281 | Exhaust coupler |
| 2 | 5270 | Exhaust clamps |
| 3 | 5230 RH/ 5232 LH | Mufflers |
| 4 | 5A212 RH/ 5A213 LH | Intermediate pipes |
| 5 | — | Heated Oxygen Sensor (HO2S) electrical connector |
| 6 | W705443 | Catalytic converter-to-manifold nut (4 required) |
| 7 | 5F250 | Catalytic converter assembly (H-pipe) |
| 8 | W714407 | Exhaust manifold stud (4 required) |



| Item | Part Number | Description |
|------|--------------------|----------------------------|
| 1 | 5230 RH/5232 LH | Muffler |
| 2 | W707079 | Front isolator bottom bolt |
| 3 | W707079 | Front isolator top bolt |
| 4 | 5A246 | Front isolator |
| 5 | W707079 | Rear isolator bottom bolt |
| 6 | W707079 | Rear isolator top bolt |
| 7 | 5A246 | Rear isolator |
| 8 | W707079 | Rear isolator shield bolt |
| 9 | 5J267 | Rear isolator shield |

1. For additional information, refer to the procedures in this section.