


Fuel Tank Filler Pipe

Special Tool(s)

 ST1134A	Fuel Storage Tanker 164-R3202 or equivalent
---	--

Material

Item	Specification
Motorcraft SAE 5W-20 Premium Synthetic Blend Motor Oil XO-5W20-QSP (US); Motorcraft SAE 5W-20 Super Premium Motor Oil CXO-5W20-LSP12 (Canada); or equivalent	WSS- M2C930-A

Removal and Installation

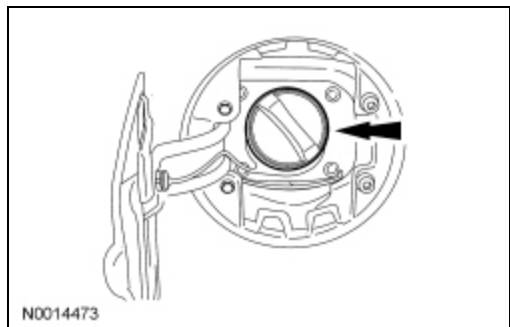
⚠ WARNING: Do not smoke, carry lighted tobacco or have an open flame of any type when working on or near any fuel-related component. Highly flammable mixtures are always present and may be ignited. Failure to follow these instructions may result in serious personal injury.

⚠ WARNING: Do not carry personal electronic devices such as cell phones, pagers or audio equipment of any type when working on or near any fuel-related component. Highly flammable mixtures are always present and may be ignited. Failure to follow these instructions may result in serious personal injury.

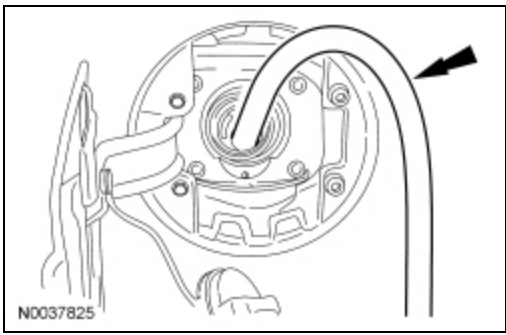
⚠ WARNING: Always disconnect the battery ground cable at the battery when working on an evaporative emission (EVAP) system or fuel-related component. Highly flammable mixtures are always present and may be ignited. Failure to follow these instructions may result in serious personal injury.

⚠ WARNING: Remove the fuel filler cap slowly. The fuel system may be under pressure. If the fuel filler cap is venting vapor or if you hear a hissing sound, wait until it stops before completely removing the fuel filler cap. Otherwise, fuel may spray out. Failure to follow these instructions may result in serious personal injury.

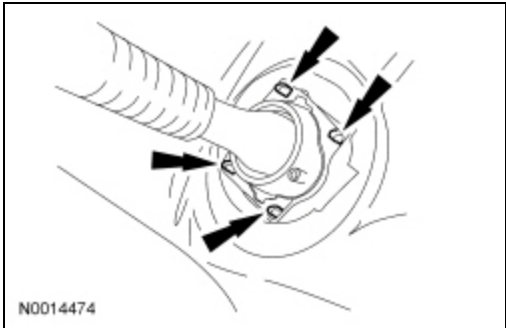
1. With the vehicle in NEUTRAL, position it on a hoist. For additional information, refer to [Section 100-02](#).
2. Disconnect the battery ground cable. For additional information, refer to [Section 414-01](#).
3. Release the fuel tank filler cap and position aside.



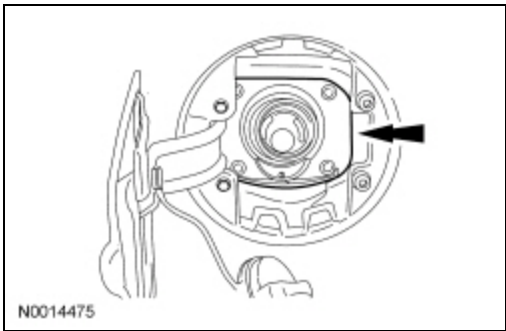
4. Insert a suitable fuel drain tube into the fuel tank filler pipe until it reaches the fuel tank inlet tube.



5. Attach the special tool to the fuel drain tube and remove as much fuel as possible from the fuel tank filler pipe.
6. Release the 4 fuel tank filler pipe bezel retainer clips.



7. Remove the fuel tank filler pipe bezel.

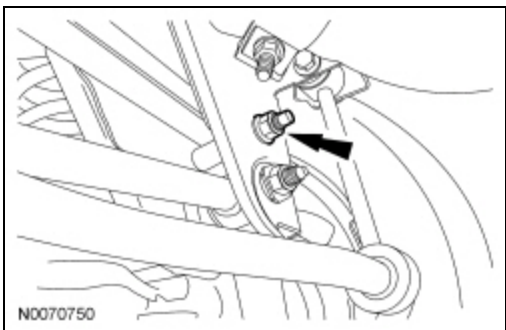


8. Release the clamp and disconnect the fuel tank filler pipe hose-to-fuel tank.
 - To install, tighten to 3 Nm (27 lb-in).
9. **NOTE:** *Some fuel may remain in the fuel tank filler pipe after draining. Carefully remove the fuel tank filler pipe assembly from the vehicle and drain any residual fuel into a suitable container.*

Remove the fuel tank filler pipe bracket bolt.

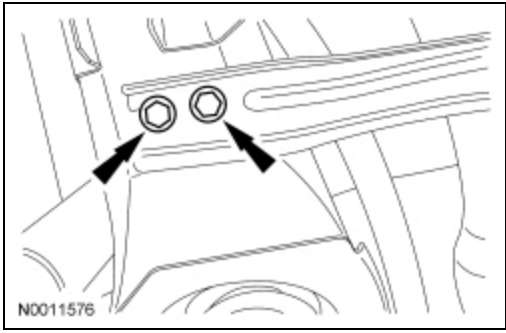
- To install, tighten to 35 Nm (26 lb-ft).

10. Loosen the lateral stiffener bar-to-body mount nut.
 - To install, tighten to 133 Nm (98 lb-ft).



11. Remove and discard the lateral stiffener bar-to-body bolts.
 - To install, tighten to 62 Nm (46 lb-ft).

- Position the lateral stiffener bar aside.



12. Remove the fuel tank filler pipe.

13. To install, reverse the removal procedure.