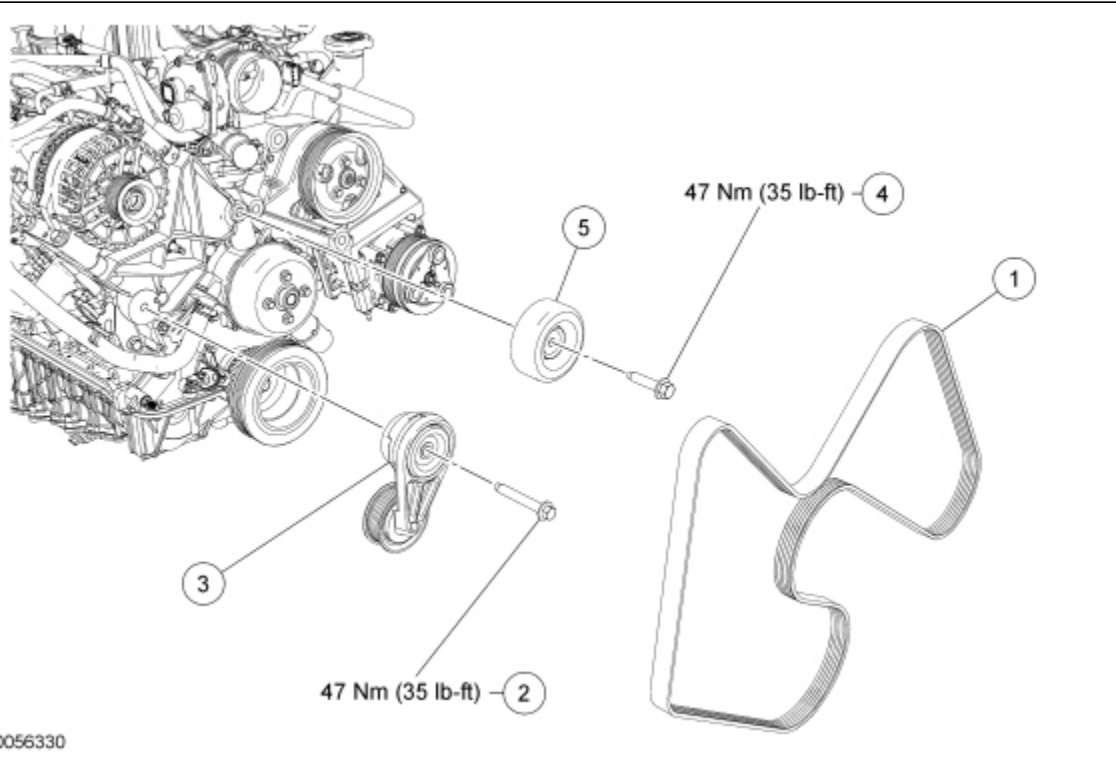


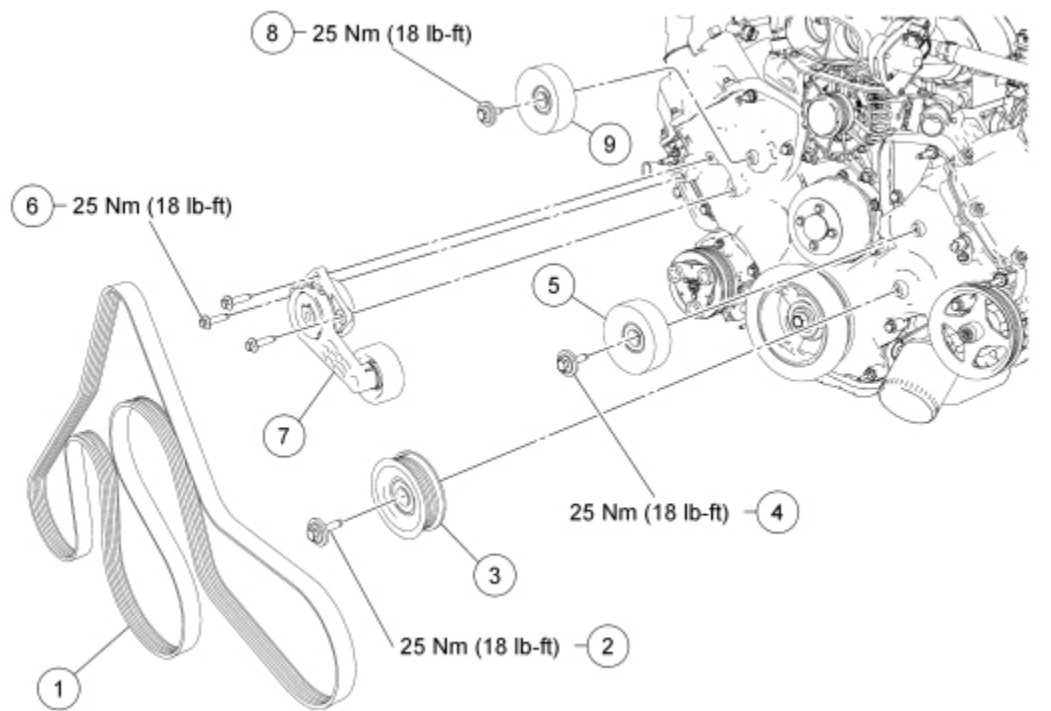
Front End Accessory Drive (FEAD) — Exploded View

4.0L SOHC



Item	Part Number	Description
1	8620	Accessory drive belt
2	W500325	Accessory drive belt tensioner bolt
3	6B209	Accessory drive belt tensioner
4	—	Accessory drive belt idler pulley bolt (part of 6C348)
5	6C348	Accessory drive belt idler pulley

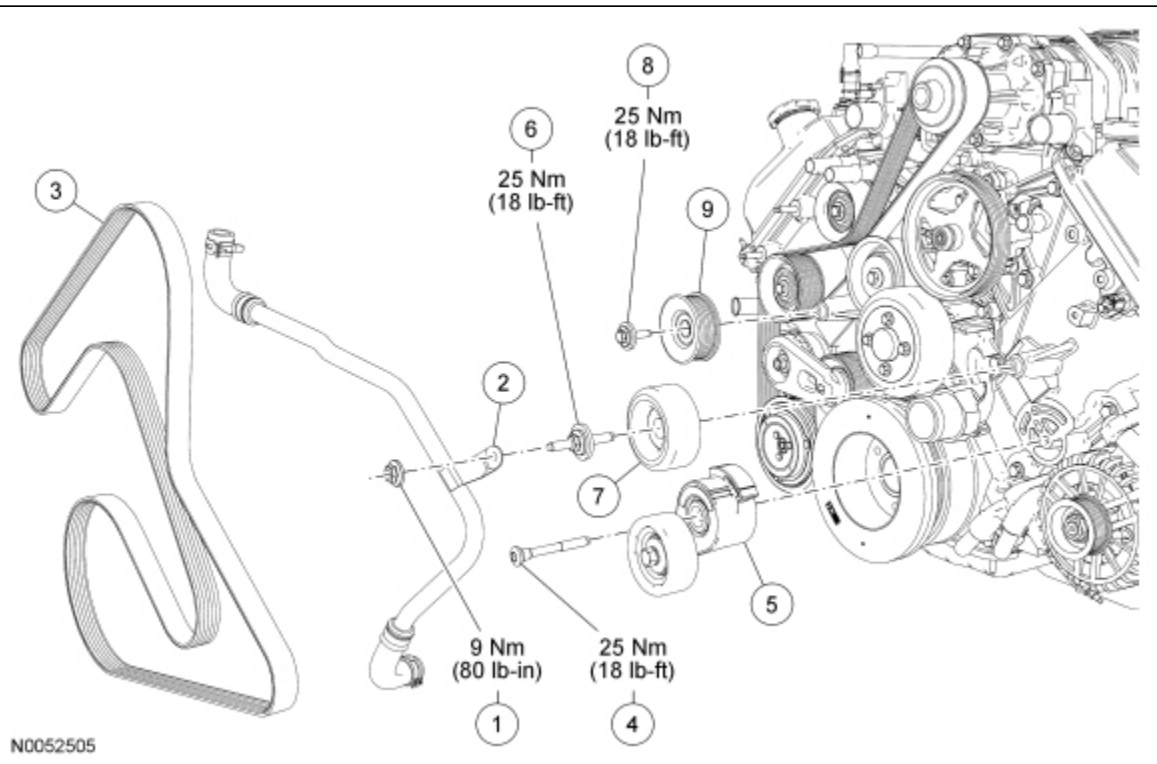
4.6L (3V)



N0049518

Item	Part Number	Description
1	8620	Accessory drive belt
2	W707288	Accessory drive belt idler pulley bolt
3	6C348	Accessory drive belt idler pulley
4	N808102	Accessory drive belt idler pulley bolt
5	19A216	Accessory drive belt idler pulley
6	N808920	Accessory drive belt tensioner bolt (3 required)
7	6B209	Accessory drive belt tensioner
8	N808102	Accessory drive belt idler pulley bolt
9	19A216	Accessory drive belt idler pulley

5.4L (4V)



Item	Part Number	Description
1	N621905	Coolant tube bracket nut
2	6B851	Coolant tube
3	8620	Accessory drive belt
4	—	Accessory drive belt tensioner bolt (part of 6B209)
5	6B209	Accessory drive belt tensioner
6	W712808	Accessory drive belt smooth idler pulley stud bolt
7	19A216	Accessory drive belt smooth idler pulley
8	N808102	Accessory drive belt grooved idler pulley bolt
9	19A216	Accessory drive belt grooved idler pulley

1. For additional information, refer to the procedures in this section.

