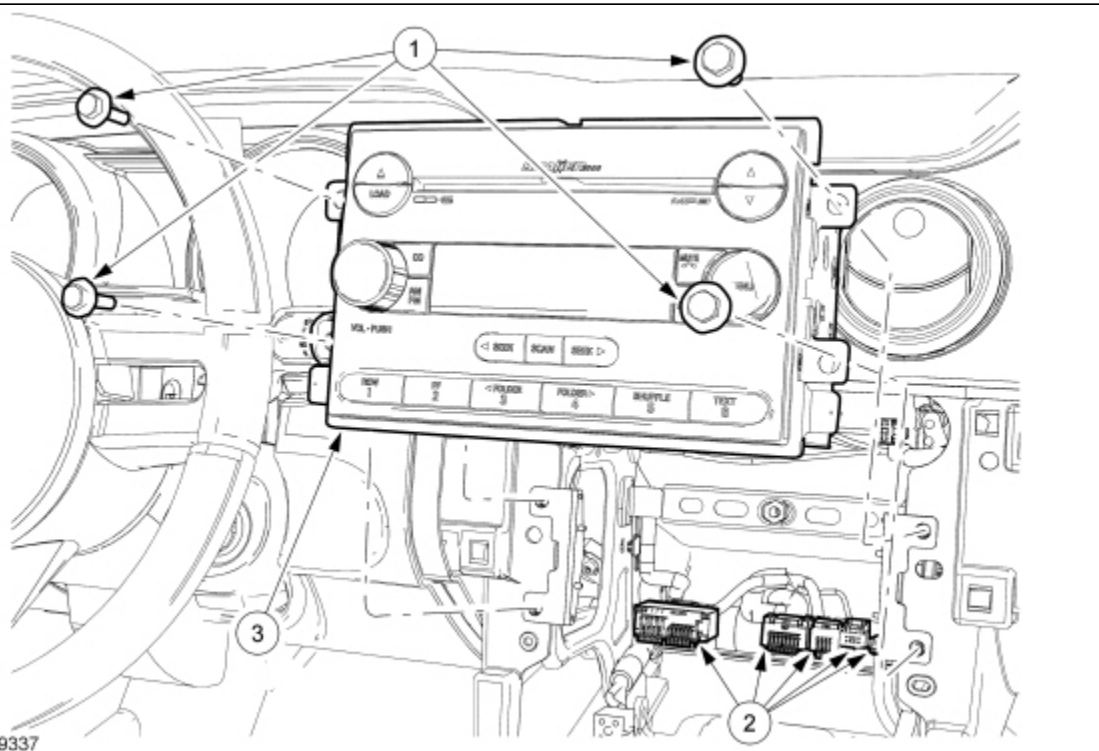


Audio Unit



Item	Part Number	Description
1	W705314S	Audio unit screws (4 required)
2	14401	Audio unit electrical connectors
3	18C815	Audio unit

Removal and Installation

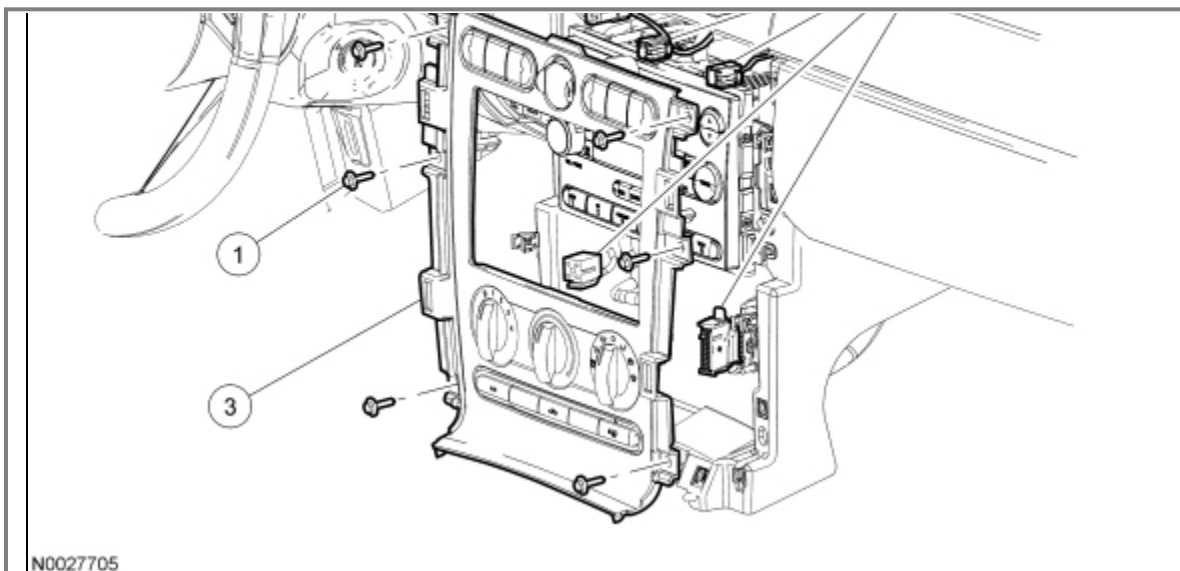
NOTE: It is not necessary to remove the audio unit to retrieve the part number. For additional information, refer to [Audio Unit Part Number Retrieval](#) in this section.

NOTE: If installing a new navigation audio unit, remove the navigation digital versatile disc (DVD), if possible, before sending the audio unit to an authorized audio system repair facility.

1. **NOTE:** Module configuration is only required if a new audio unit is being installed.

Upload the audio unit configuration information to the scan tool. For additional information, refer to [Section 418-01](#), to carry out programmable module installation (PMI).

2. Remove the instrument panel center finish panel. For additional information, refer to [Section 501-12](#)



N0027705

Item	Part Number	Description
1	W705314	Instrument panel center finish panel screw (6 required)
2	—	Instrument panel center finish panel electrical connectors (5 required) (part of 14401)
3	6304302	Instrument panel center finish panel

3. Remove the 4 screws and the audio unit.

- Disconnect the electrical connectors and the antenna lead-in cable.

4. To install, reverse the removal procedure.

- Download the configuration information to the audio unit. For additional information, refer to [Section 418-01](#), to carry out PMI.

