

SECTION 501-19 Bumpers

CONTENTS

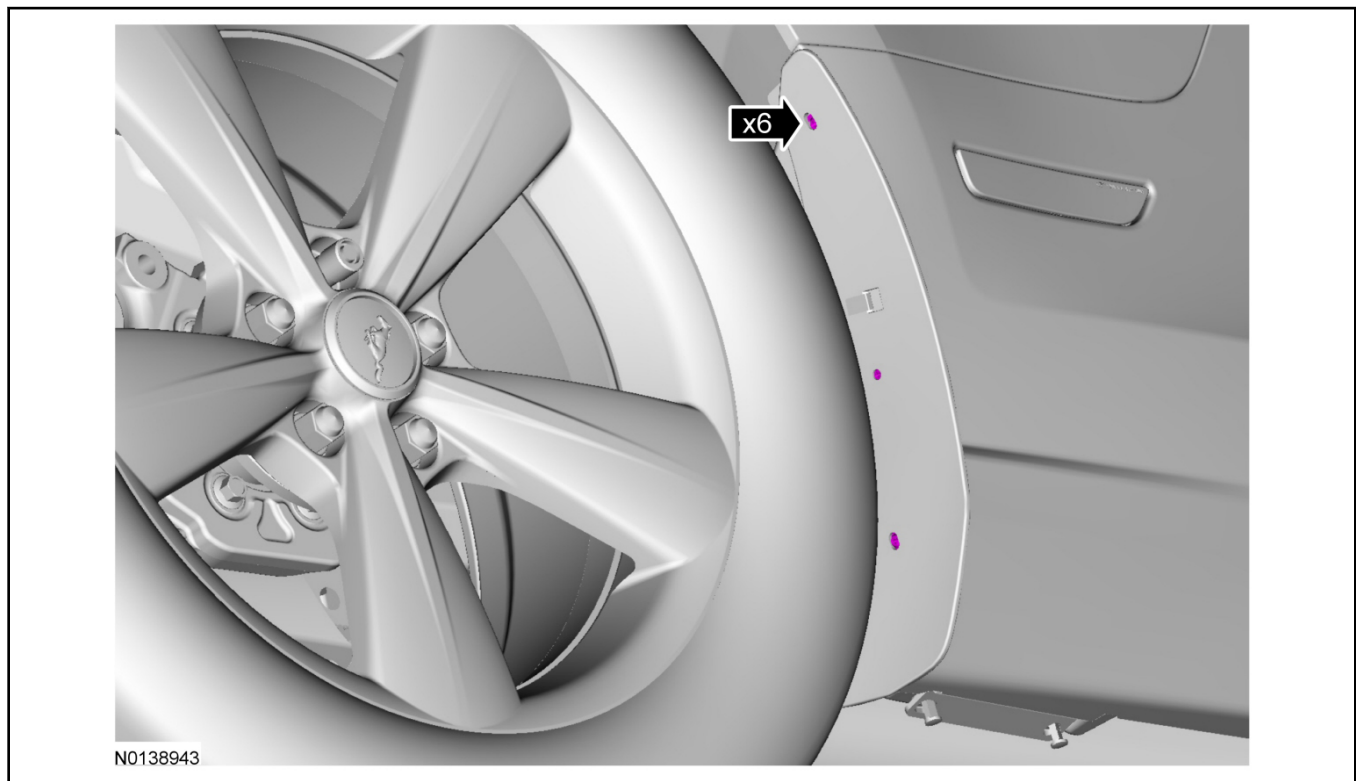
PAGE

Bumper Cover — Rear	501-19-2
---------------------------	----------

Bumper Cover — Rear

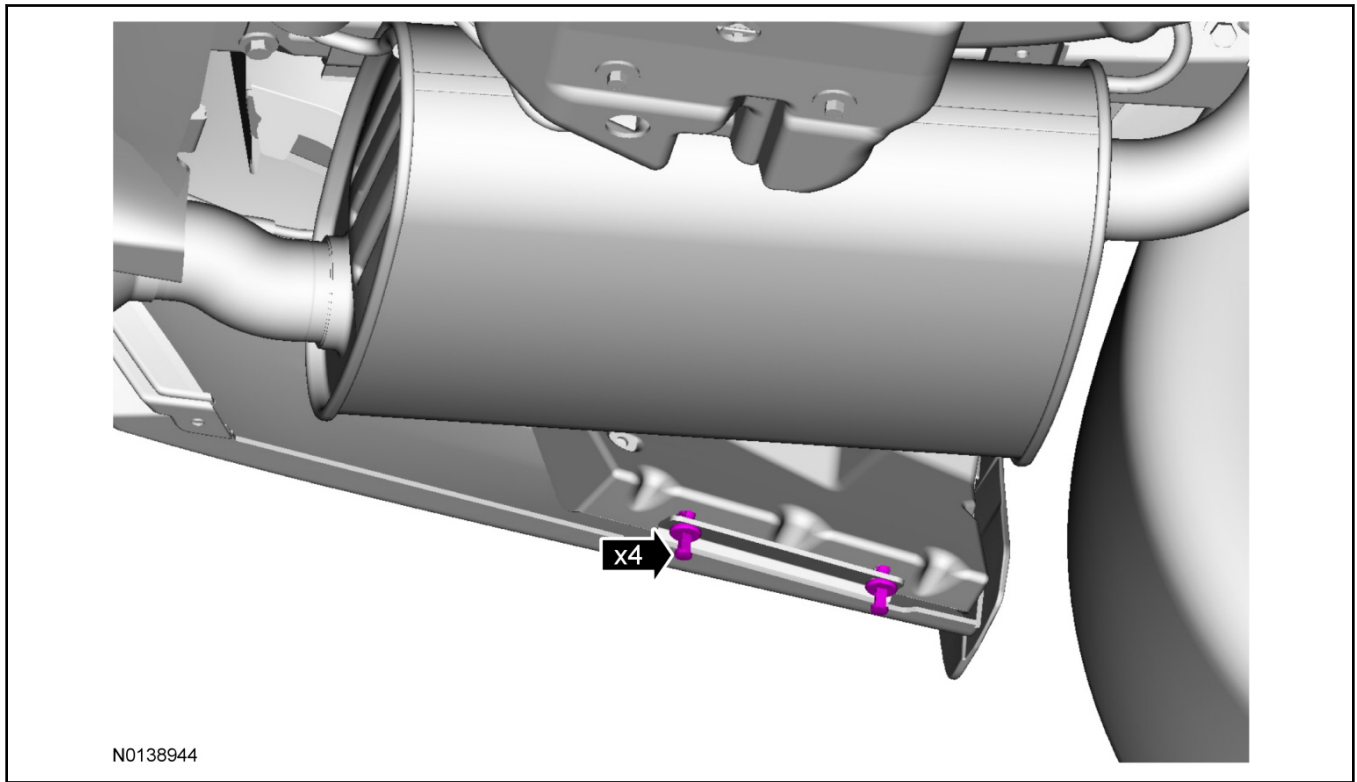
Removal

1. With the vehicle in NEUTRAL, position it on a hoist. Refer to Section 100-02.
2. Remove the luggage compartment rear trim panel.
3. On each side.
 - To install, tighten to 3.2 Nm (28 lb-in).

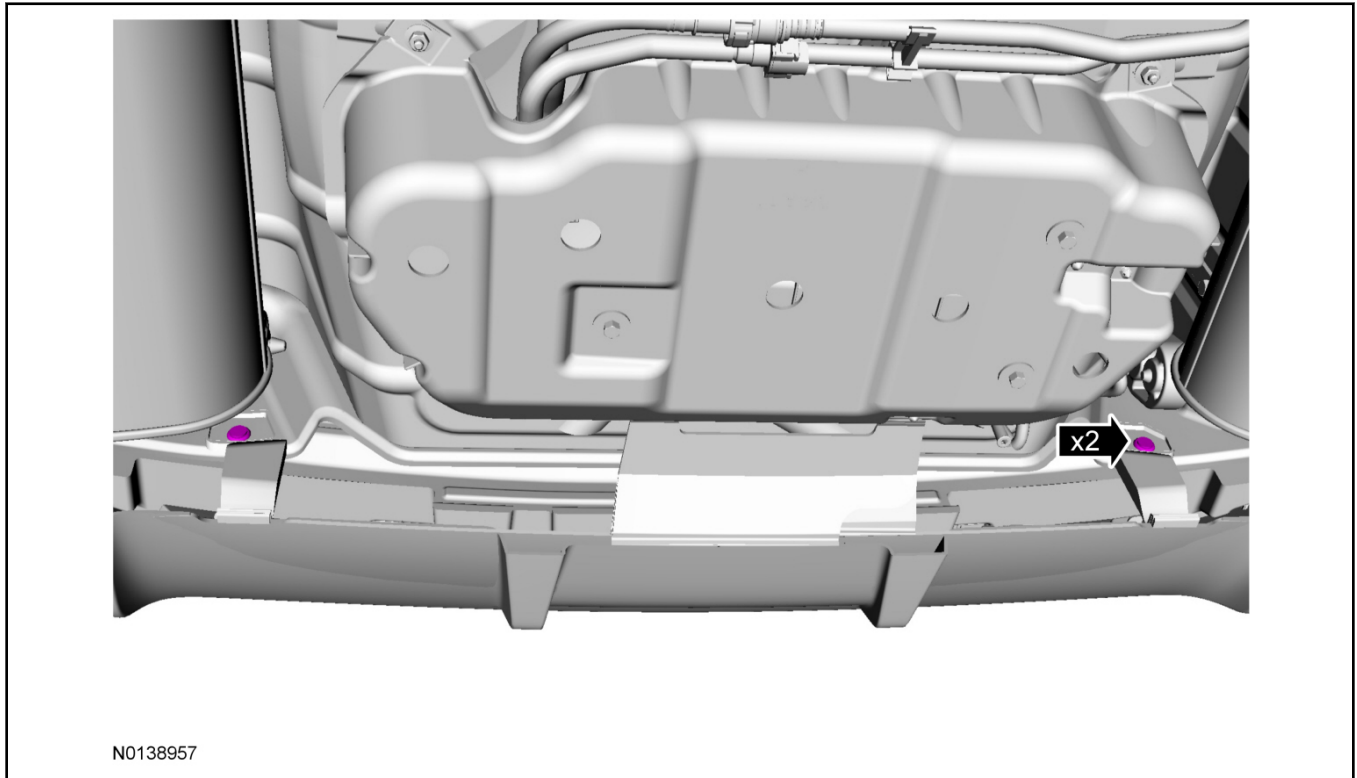


4. On each side.

(Continued)

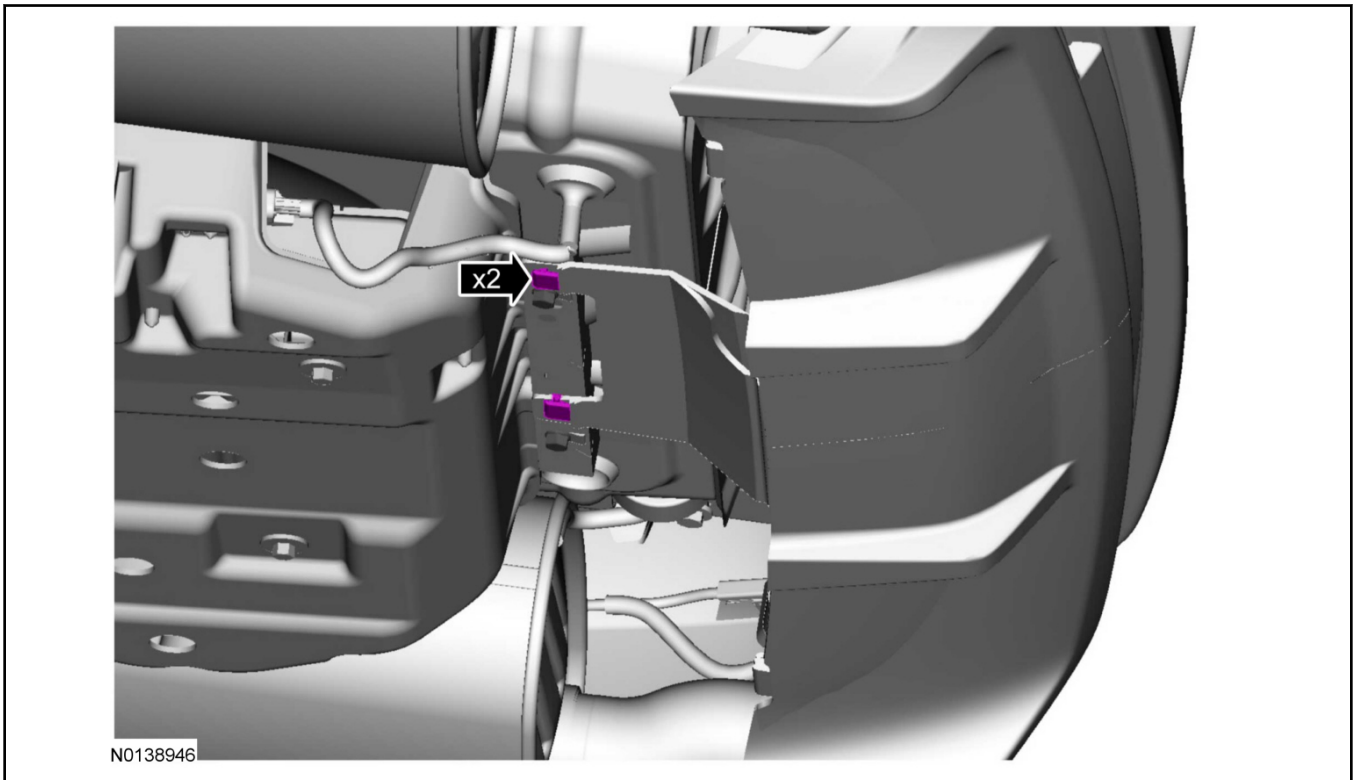


5.

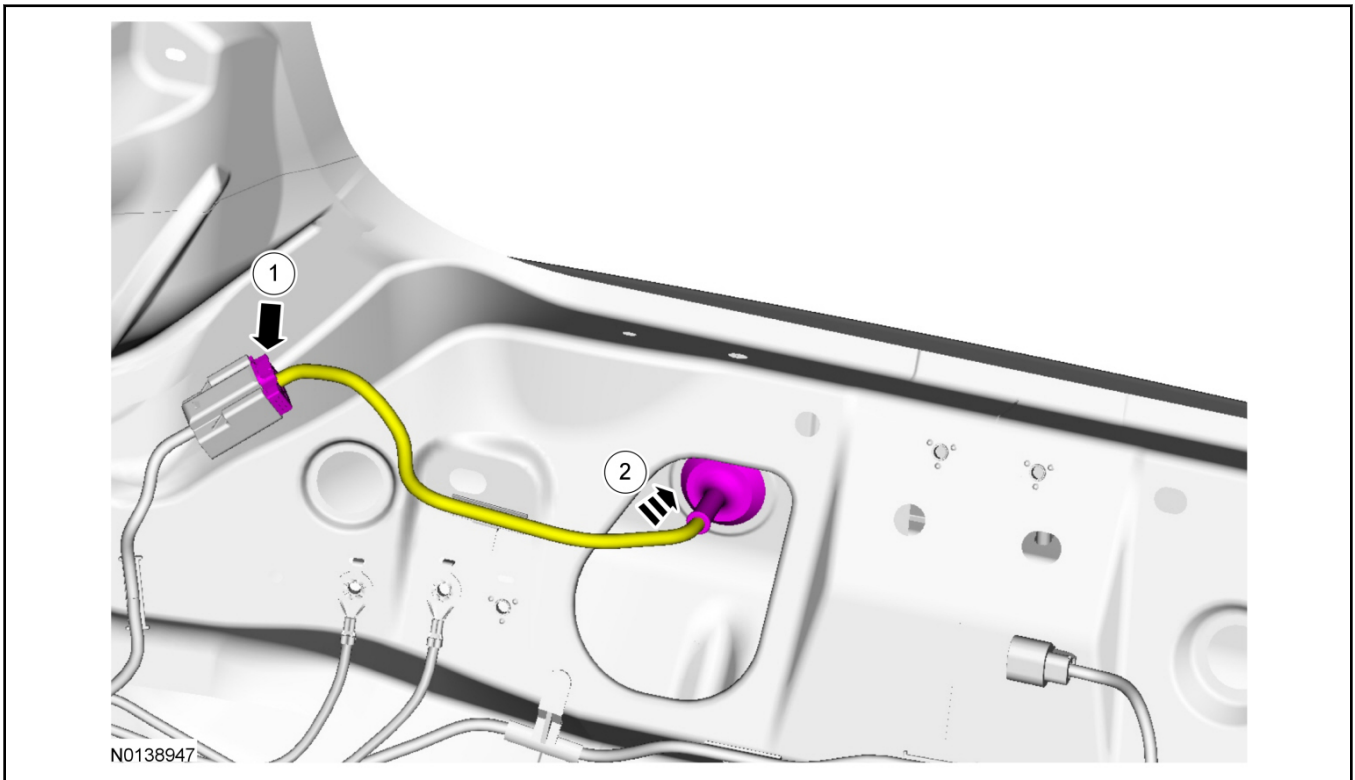


6.

(Continued)

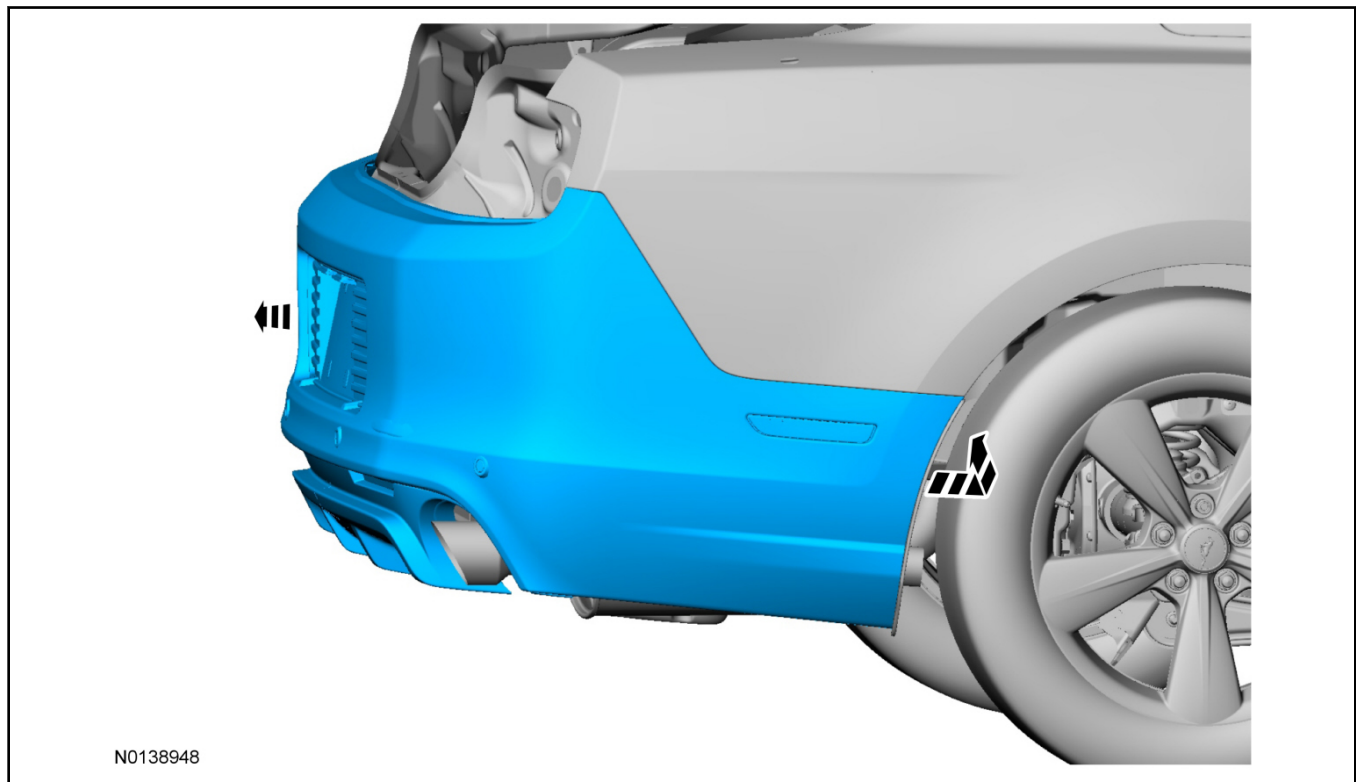


7. Feed the wiring harness through the rear of the vehicle.

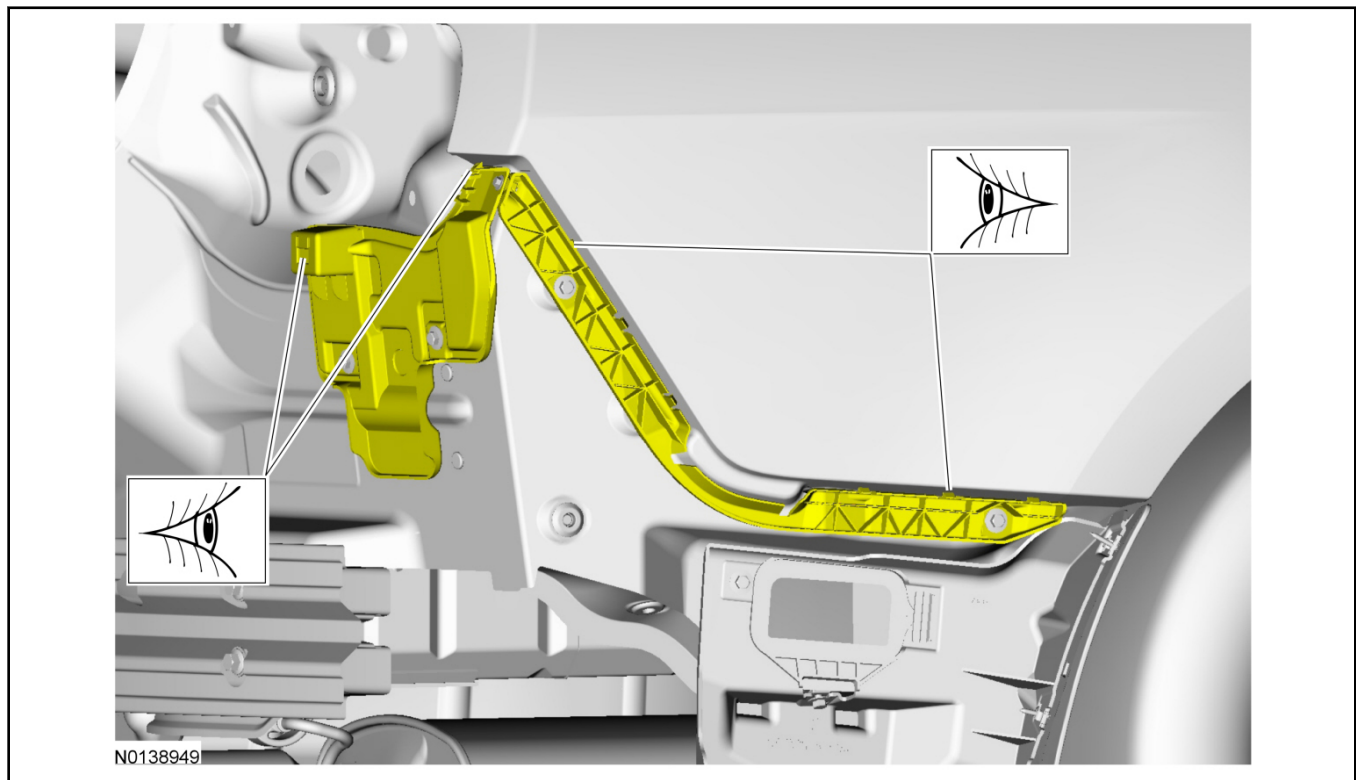


8.

(Continued)



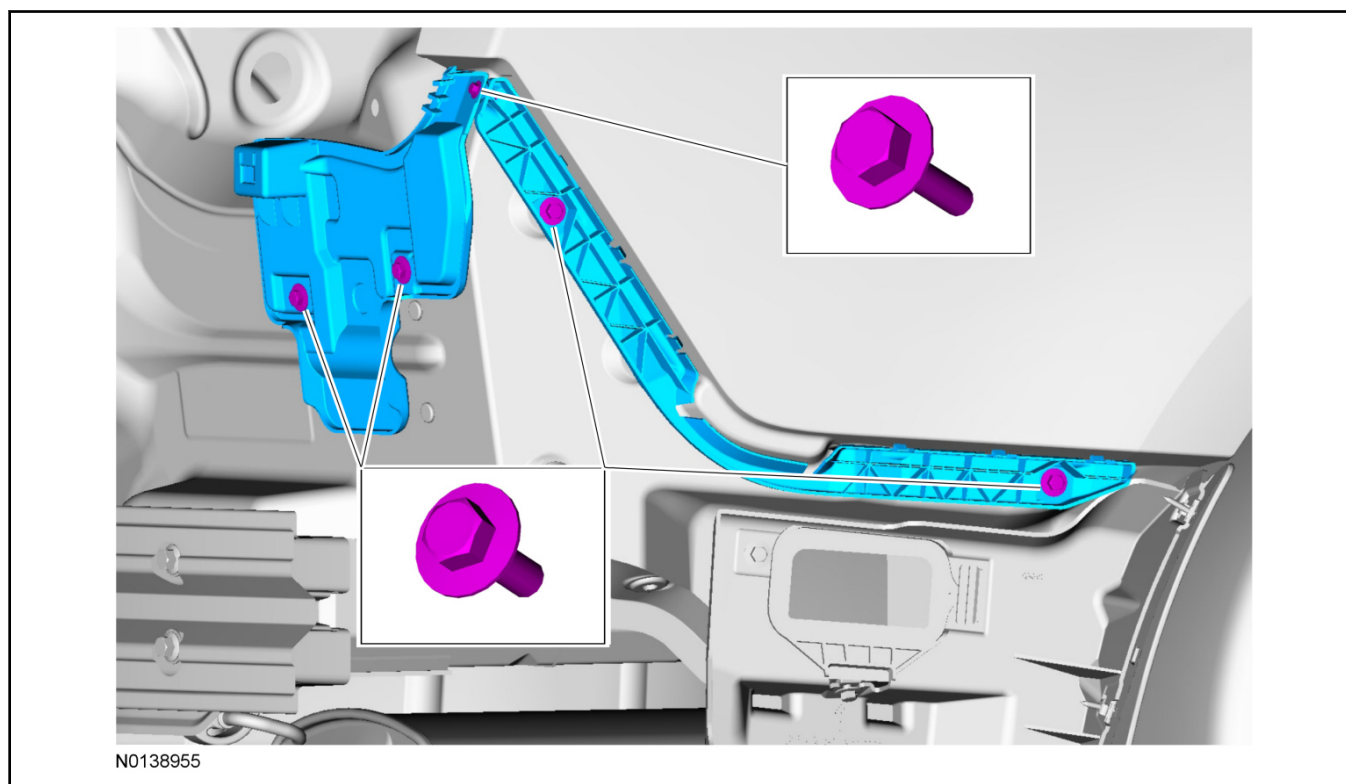
9.



10. **NOTE:**
If required.

To install, tighten the rear bumper cover reinforcement-to-body bolts to 25 Nm (18 lb-ft).

(Continued)

**Installation**

1. To install, reverse the removal procedure.