

PRE-DELIVERY PROCEDURES

Vehicle Lift Points

Lifting Instructions

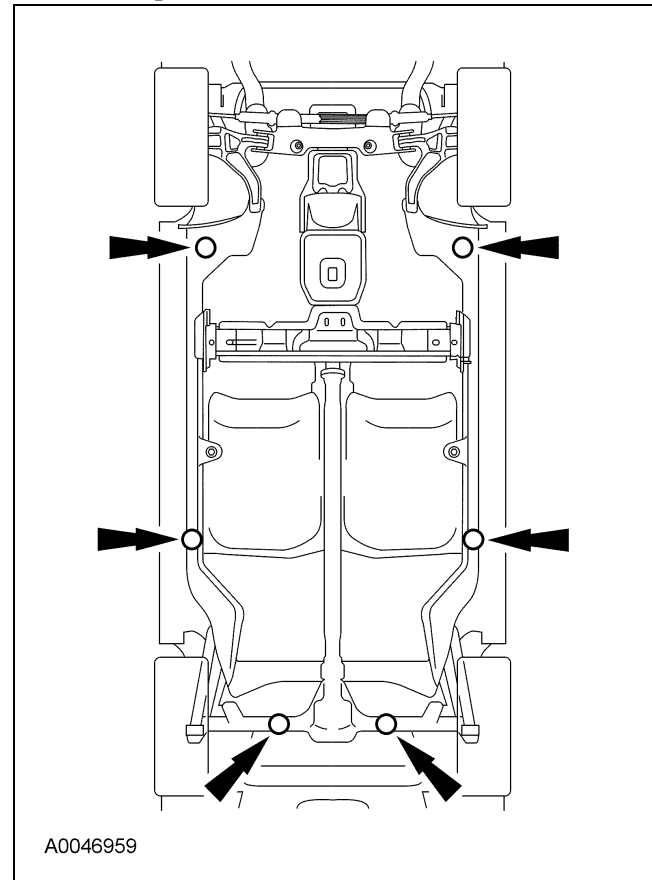
⚠ WARNING: On vehicles equipped with air suspension, the electrical power supply to the air suspension system must be shut off prior to lifting the vehicle. This can be accomplished by disconnecting the battery or turning off the power switch located in the luggage compartment (consult owner guide for switch location). Failure to do so may result in unexpected inflation or deflation of the air springs which may result in shifting of the vehicle during these operations.

⚠ CAUTION: Do not allow the hoist adapters to contact the constant velocity (CV) joints, steering linkage, suspension arms, stabilizer bar or compress the lower suspension arm stabilizer bar insulators (or any components of the suspension, steering or exhaust systems for the Focus). Damage to suspension, exhaust and/or steering linkage components may occur if care is not exercised when positioning the hoist adapters of two-post hoists prior to lifting the vehicle.

⚠ CAUTION: Damage to suspension or steering linkage components may occur when positioning hoist adapters. Front adapter pads should be positioned carefully to ensure maximum contact under the center of the lower suspension arms or spring supports as near to wheels as practical. Rear suspension hoist adapters (forks) should be placed under spring mounting pads or rear axle housing, but adapters must not interfere with shock absorber mounting brackets.

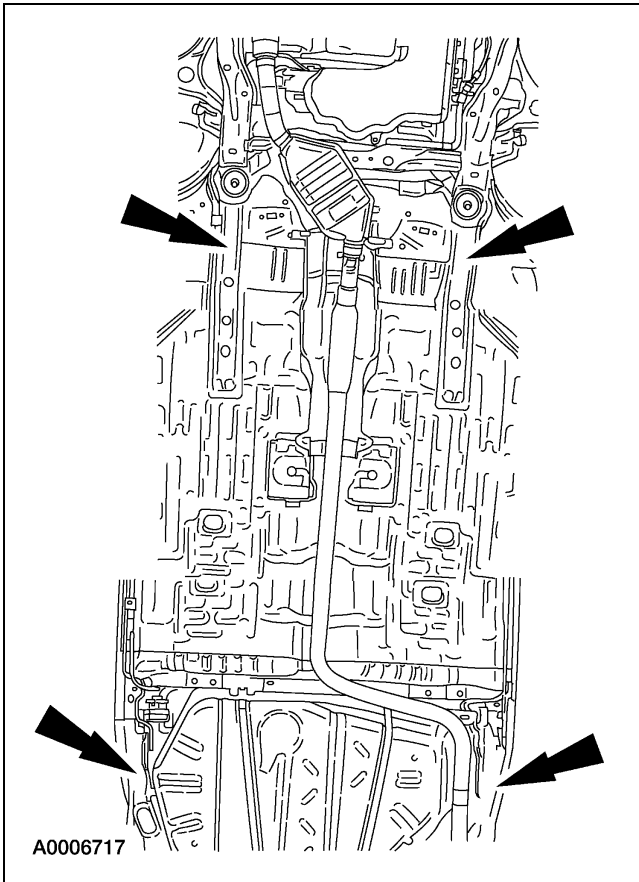
⚠ CAUTION: When raising a vehicle on a twin-post hoist, care should be taken to position the vehicle so that the hoisting forks do not damage the axle carrier casting or rear cover. Place adapters under front body rail behind the suspension arm-to-body bracket.

Vehicle Lift Points — Town Car, Crown Victoria, Grand Marquis

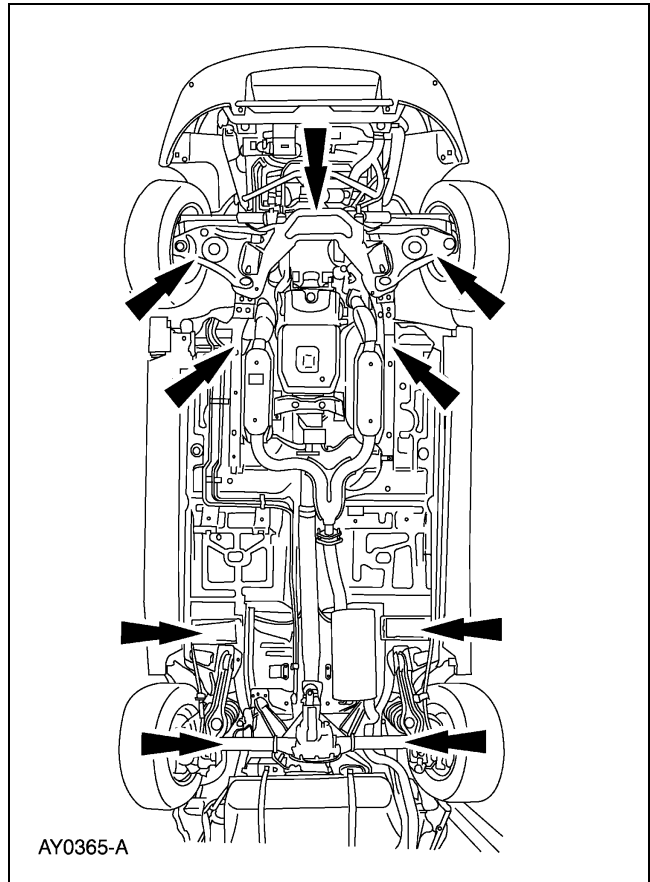


PRE-DELIVERY PROCEDURES (Continued)

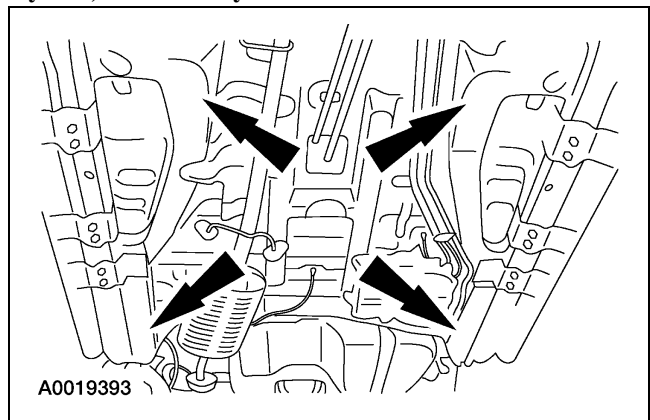
Vehicle Lift Points — Taurus



Vehicle Lift Points — Mustang



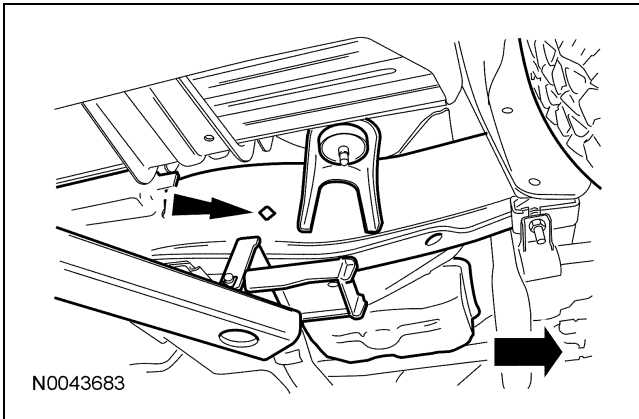
Vehicle Lift Points — Escape, Mariner, Escape Hybrid, Mariner Hybrid



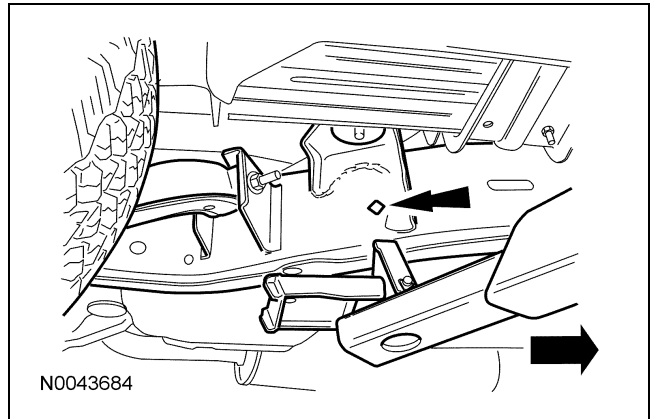
⚠ CAUTION: Never allow vehicle to be lifted by the trailing links.

PRE-DELIVERY PROCEDURES (Continued)

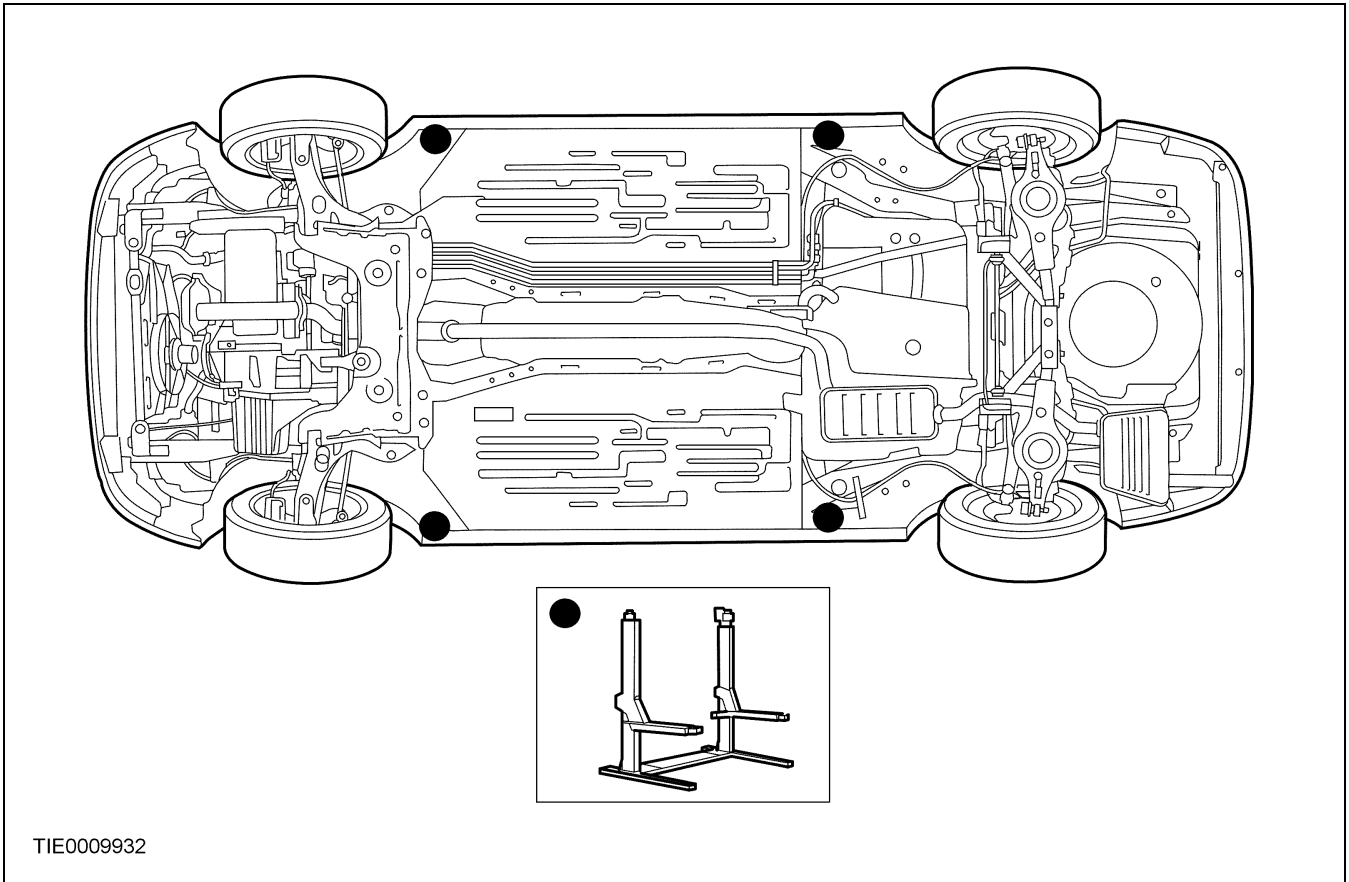
Vehicle Lift Points — Fusion, Milan, MKZ — Front



Vehicle Lift Points — Fusion, Milan, MKZ — Rear



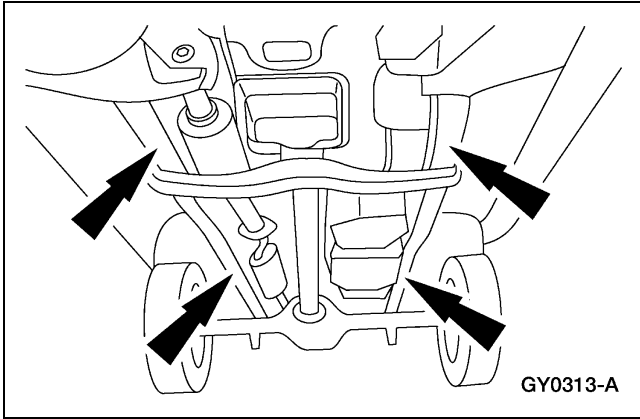
Vehicle Lift Points — Focus



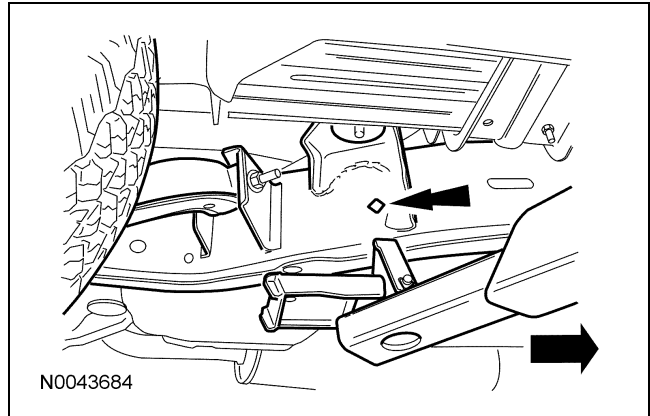
⚠ CAUTION: Never allow the vehicle to be lifted by suspension components.

PRE-DELIVERY PROCEDURES (Continued)

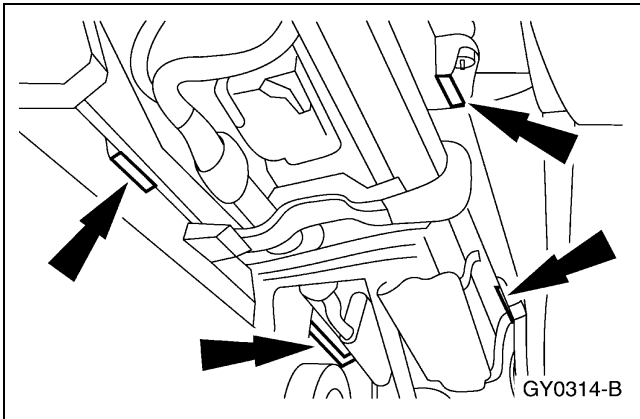
Vehicle Lift Points — Ranger 4x2



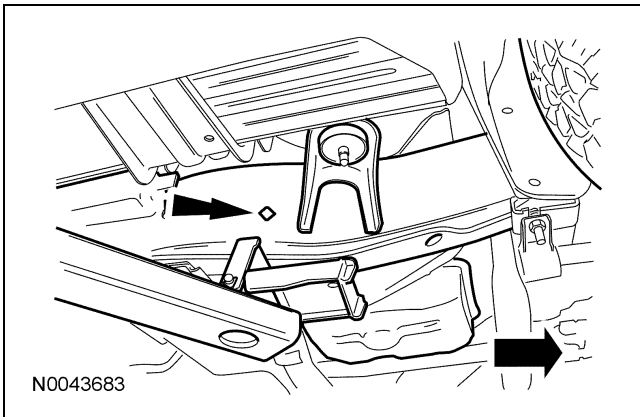
Vehicle Lift Points — Explorer, Mountaineer, Sport Trac (Rear)



Vehicle Lift Points — Ranger 4x4

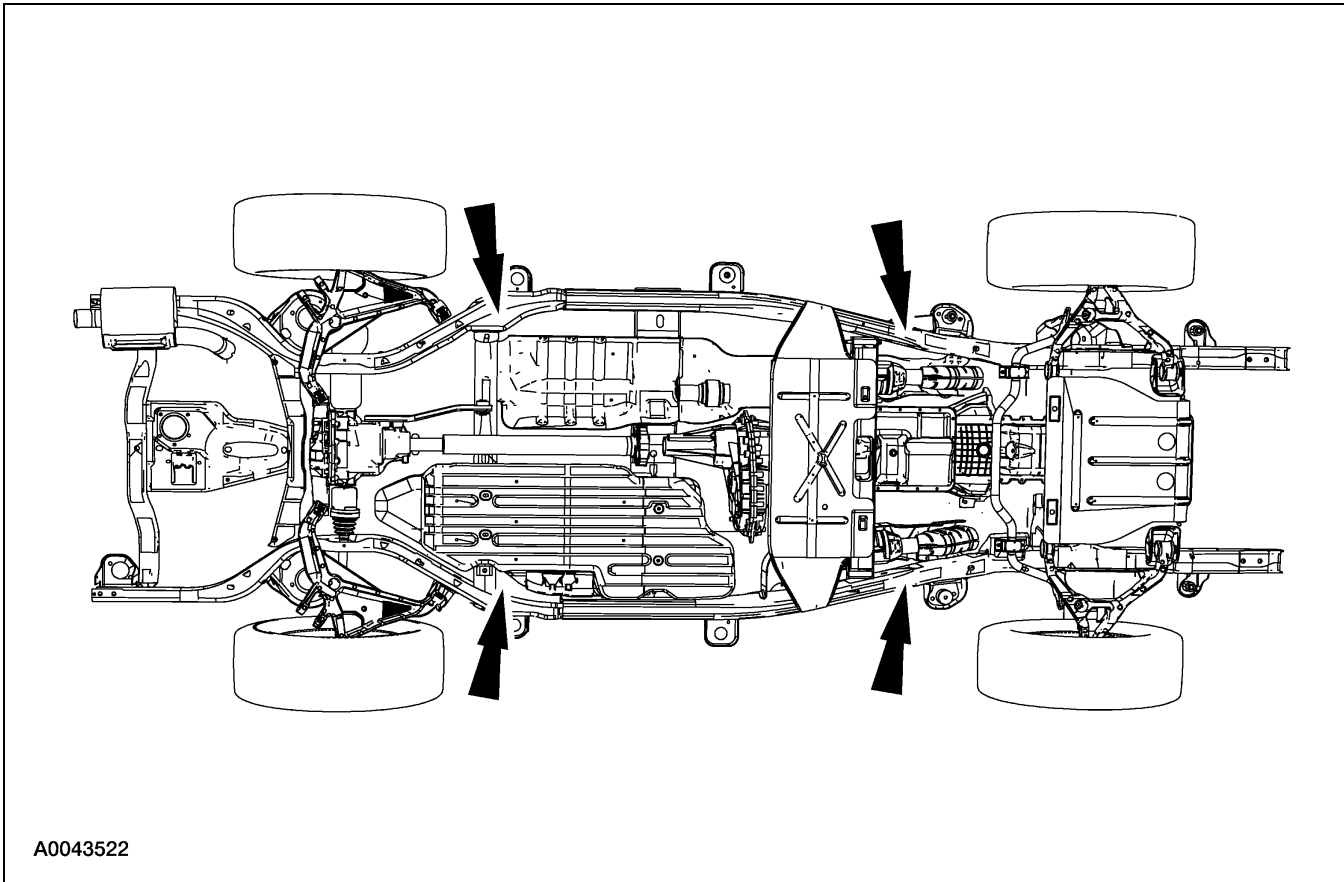


Vehicle Lift Points — Explorer, Mountaineer, Sport Trac (Front)



PRE-DELIVERY PROCEDURES (Continued)

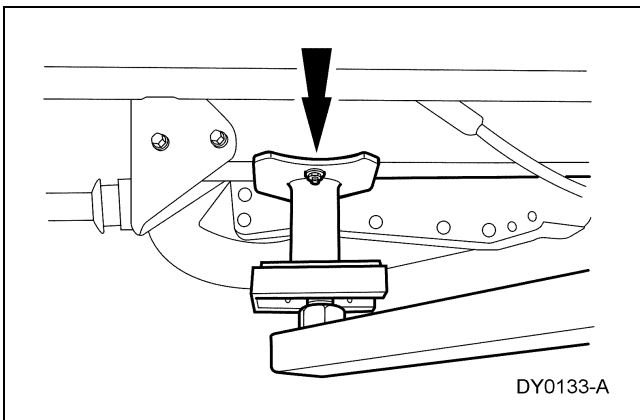
Vehicle Lift Points — Expedition, Navigator



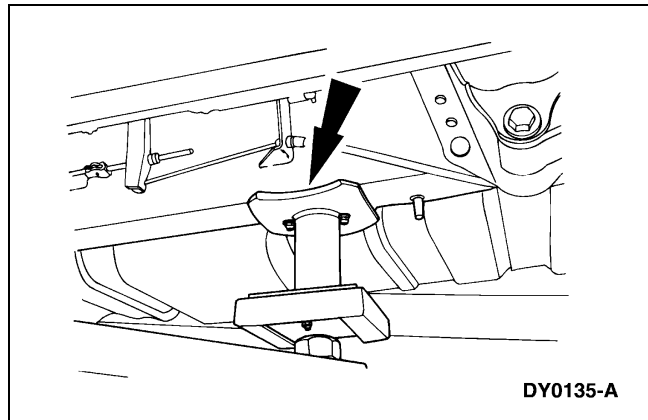
Vehicle Lift Points — E-150, E-250, E-350, Cutaway and Cargo

Refer to the hoist manufacturer's instructions for lifting the vehicle. Be sure the hoist has an adequate lifting capacity for the vehicle being lifted.

Front



Rear

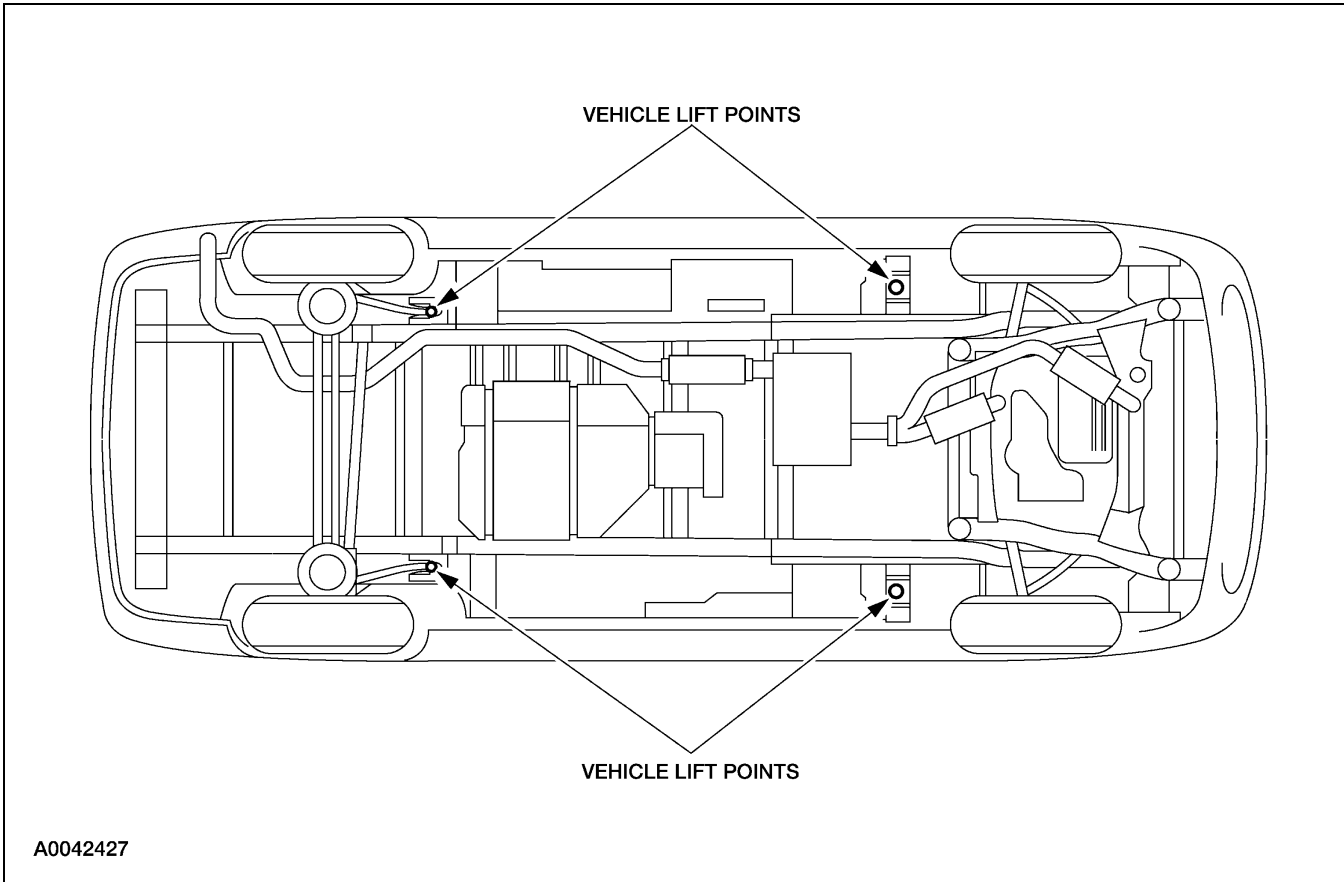


Vehicle Lift Points — F-150, F-250, F-350, F-450, F-550

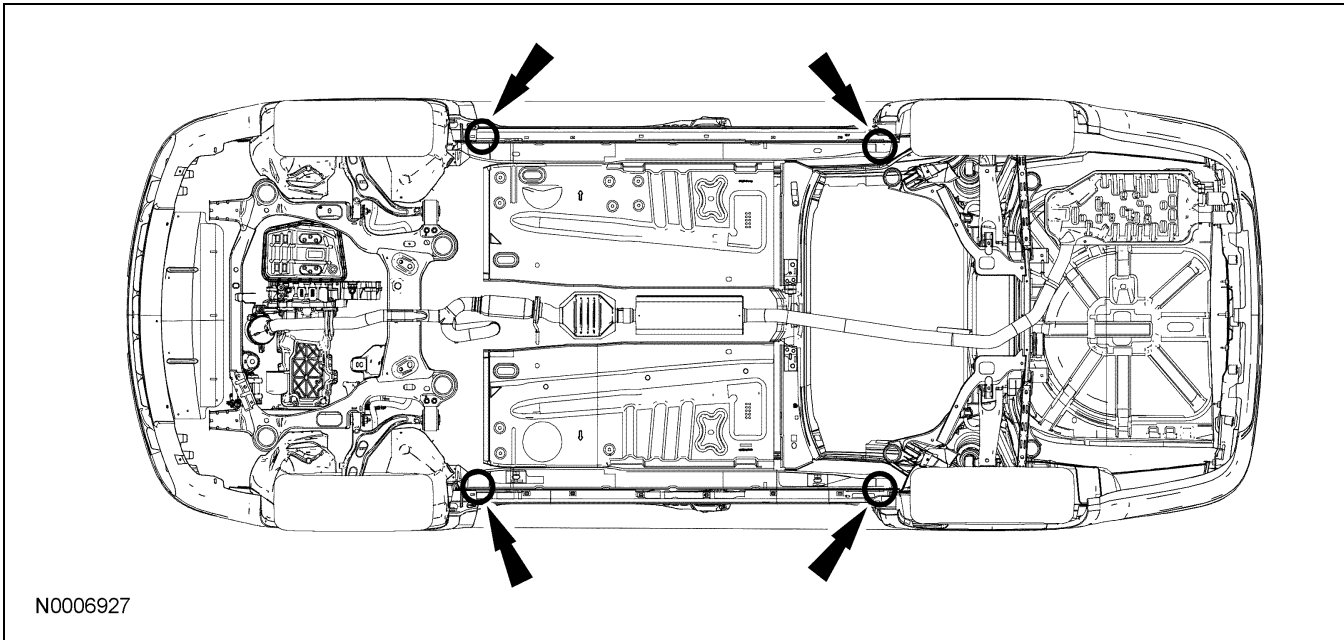
Refer to the hoist manufacturer's instructions for lifting the vehicle. Be sure the hoist has an adequate lifting capacity for the vehicle being lifted.

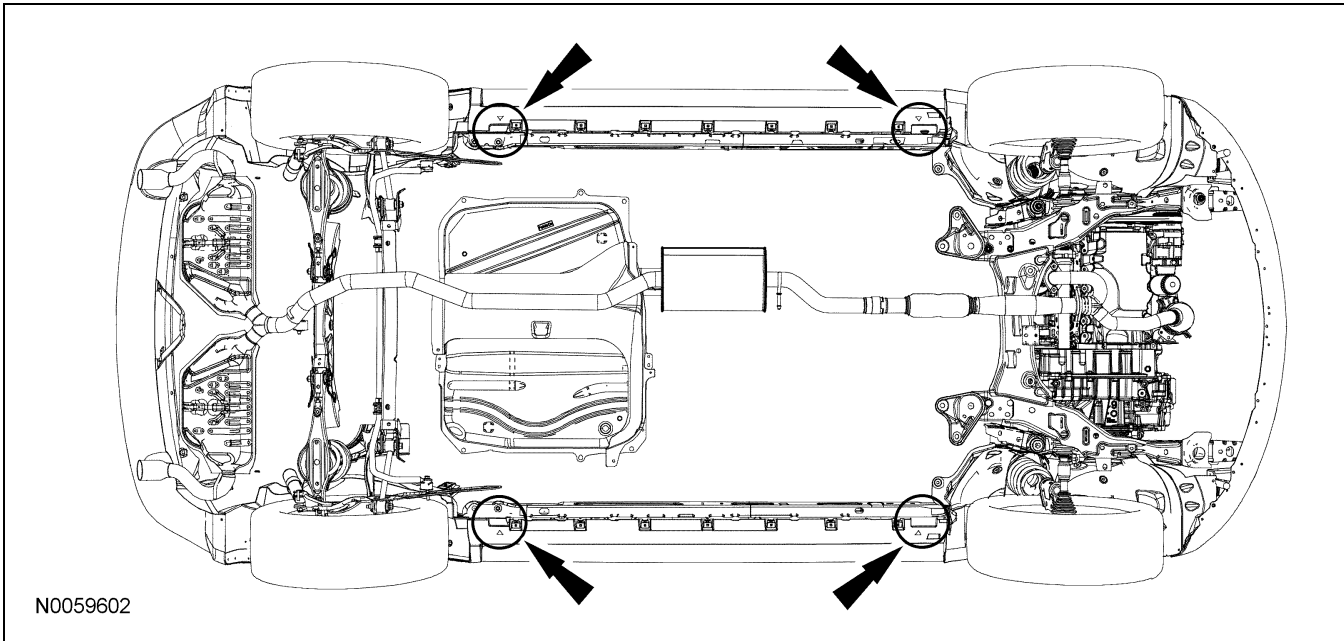
PRE-DELIVERY PROCEDURES (Continued)

Vehicle Lift Points — Freestar, Monterey



Vehicle Lift Points — Five Hundred, Montego, Freestyle



PRE-DELIVERY PROCEDURES (Continued)**Vehicle Lifting Points — Edge, MKX****New Vehicle Storage Guidelines**

The dealership is responsible for storing new vehicles safely to avoid damage and maintaining them in new condition. Repairs required because of failure to properly store vehicles are the responsibility of the dealership.

General

- Store vehicles on a paved surface with adequate spacing so doors can be opened without damaging adjacent vehicles.
- Remove any tape (shipping films, stickers, etc.) after vehicle check-in to avoid damage during removal at predelivery. Do not remove door protectors or white RapGuard from painted horizontal surfaces, if present, until predelivery.
- Provide regular maintenance against rust and damage.

Body

- Wash vehicles thoroughly to remove dirt, grease, oil, tar or mud from exterior surfaces, rear wheel housings and underside of front fenders.
- Periodically wash vehicles stored in exposed locations to minimize the risk of fallout damage.
- Touch up minor paint chips to prevent rust.
- Clean chrome and stainless steel parts with polish to prevent rust or corrosion.

Powertrain

- Start the engine every 15 days and run it at a fast idle (accessories off) until it reaches normal operating temperature.
- Shift the transmission through all gears while the engine is running at idle speed.
- Move vehicles at least 25 feet at 15-day intervals to agitate anti-oxidation agents in fuel tank, lubricate moving parts and reduce tire flat spotting.

Battery

- Check state of charge regularly and recharge if the battery eye indicator is not green.
- Keep connections clean and covered with a light coat of grease.
- Important: Throughout the duration of the vehicle's storage time, any battery with a RED battery eye indicator must be recharged to minimize the possibility of permanent battery damage (not warrantable).

Brakes

- Make sure brakes and the parking brake are fully released.

PRE-DELIVERY PROCEDURES (Continued)**Tires**

- Maintain recommended air pressures. If the vehicle is stored longer than 30 days, reduce flat spotting by moving the vehicle several feet at least once during each 15-day period so a different portion of the tread contacts the ground.
-