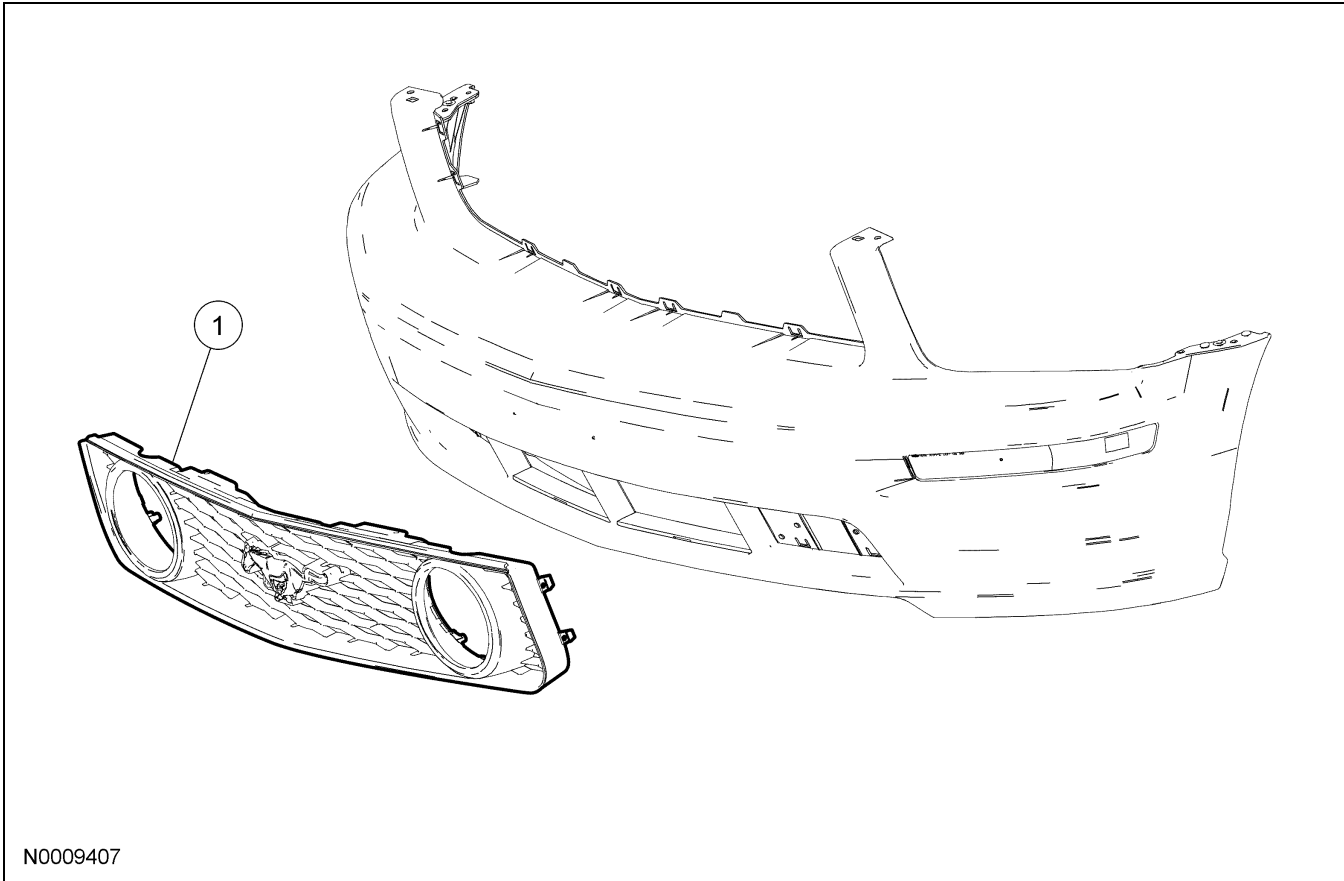


REMOVAL AND INSTALLATION

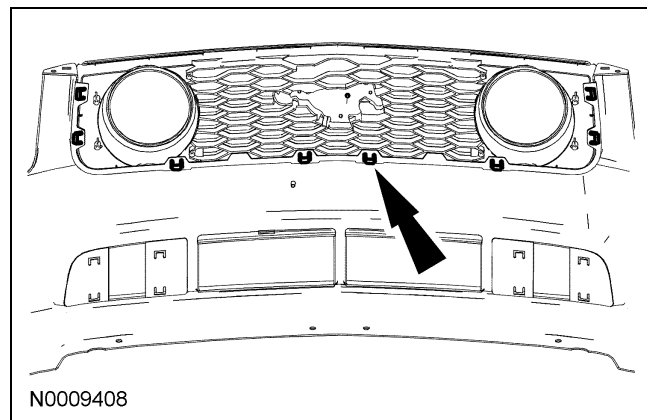
Radiator Grille



Item	Part Number	Description
1	8200	Radiator grille

Removal and Installation

1. Remove the front bumper cover. For additional information, refer to Section 501-19.
2. Release the 8 radiator grille retaining clips from the front bumper cover and remove the radiator grille.



3. To install, reverse the removal procedure.