

Trim Panel, Quarter—Convertible

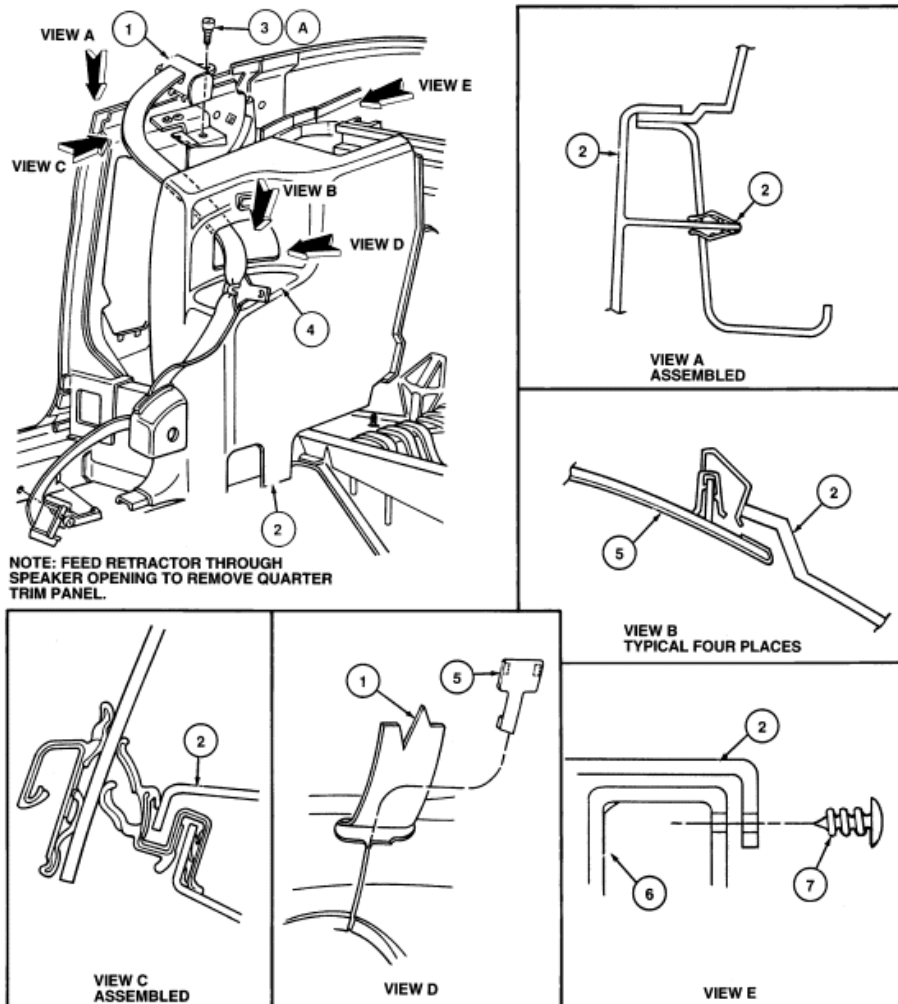
Removal

1. Remove rear seats. Refer to [Section 01-10](#).
2. Remove front door scuff plate (13208) as described.
3. Remove upper radio speaker grille (18978) by pulling outward.
4. Remove pushpins at rear and bottom of quarter trim panel (31012) .
5. Remove pushpin from top of quarter trim panel at top well area.
6. Remove front safety belt retaining bolt at floor pan.
7. Pull out and forward on quarter trim panel .
8. Remove clip on safety belt opening. Remove front safety belt retractor and tongue (611B08) . Feed front safety belt retractor and tongue through radio speaker opening. Remove quarter trim panel .
9. Remove quarter trim panel shield if necessary.

Installation

1. Follow removal procedure in reverse order.
2. Tighten front safety belt retaining bolt to 34-46 Nm (25-33 lb-ft).

Quarter Trim Panel—Convertible



Item	Part Number	Description
1	611B08	Front Safety Belt Retractor and Tongue
2	31012	Quarter Trim Panel
3	389370-S100	Bolt (2 Req'd)
4	18978	Radio Speaker Grille
5	31612	Quarter Trim Panel Support Clip
6	—	Support Bracket (Part of Body)
7	388577-S	Pushpin (1 Req'd Each Side)
A	—	Tighten to 34-46 Nm (25-33 Lb-Ft)
