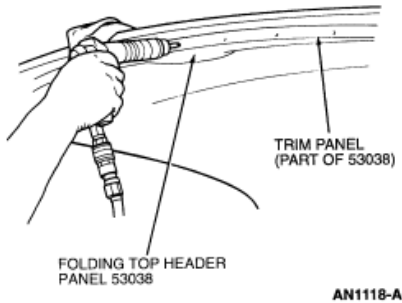


Convertible Top Material

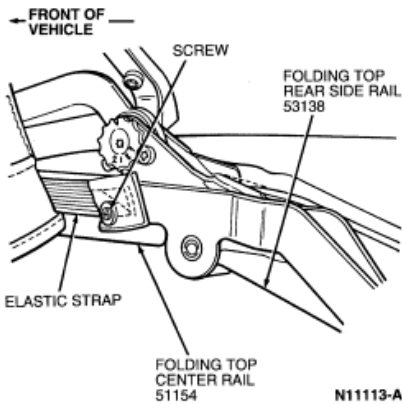
Removal

1. **NOTE: Mark assembly so installation will be in the same position.**

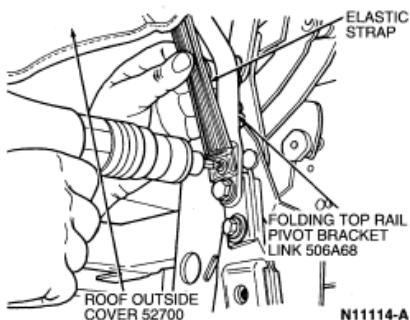
With convertible top assembly mounted in the proper fixture, remove 13 screws and remove listing along bottom of folding top header pad (52515) .



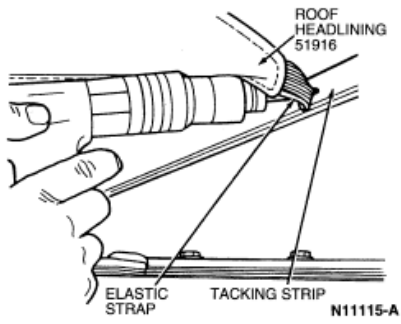
2. Remove roof outside cover retaining staples at front corners and along underside of folding top header pad and lay front of roof outside cover (52700) back over top.
3. Remove rear rail weatherstrips and weatherstrip retainers. Refer to [Section 01-11](#).
4. Remove staples retaining roof headlining (51916) to folding top header pad .
5. Raise front of folding top assembly.
6. Remove screws retaining headliner elastic straps at rear of intermediate side rail.



7. Remove screws retaining headliner front elastic straps to folding top rail pivot bracket link (506A68) .

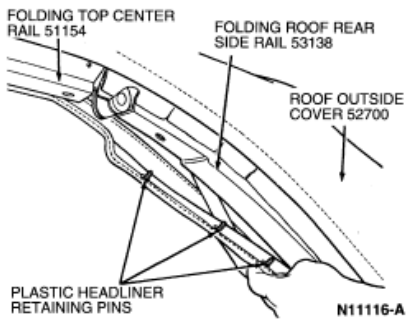


8. Remove screws retaining roof headlining rear elastic straps to rear tacking strips.

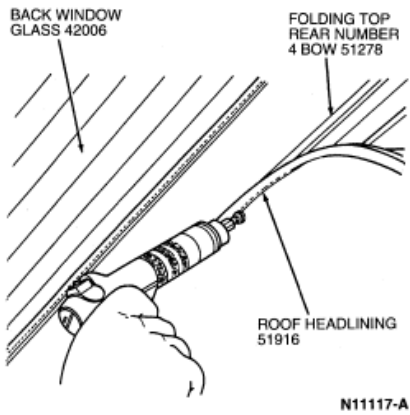


9. **NOTE: Plastic roof heading retaining pins must be replaced if they are removed.**

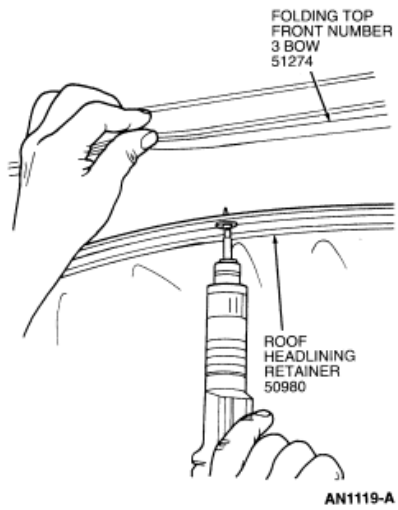
Disengage roof headlining from folding roof rear side rail (53138) .



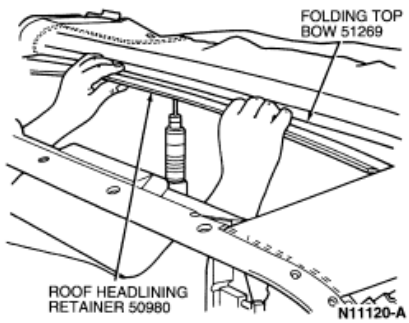
10. Remove screws retaining roof headlining to rear of folding top rear number 4 bow (51278) .



11. Remove screws retaining roof headlining to folding top front number 3 bow (51274) .

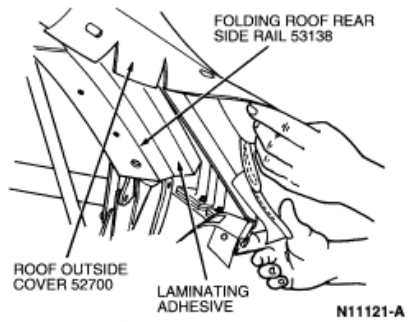


12. Remove five screws retaining roof headlining and convertible top listing bow to folding top bow (51269) and remove roof headlining .



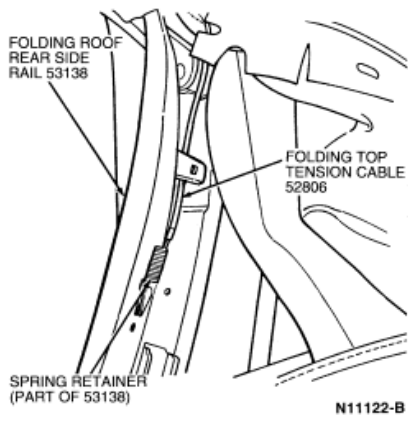
13. Remove staples along bottom of each side of roof outside cover at rear of top.

14. Carefully pull roof outside cover flaps to disengage from each folding roof rear side rail .



15. **NOTE: All glue must be removed from folding roof rear side rail .**

Carefully bend retaining tab up and disengage folding top tension cable (52806) from tab. Pull folding top tension cable through roof outside cover from the front.

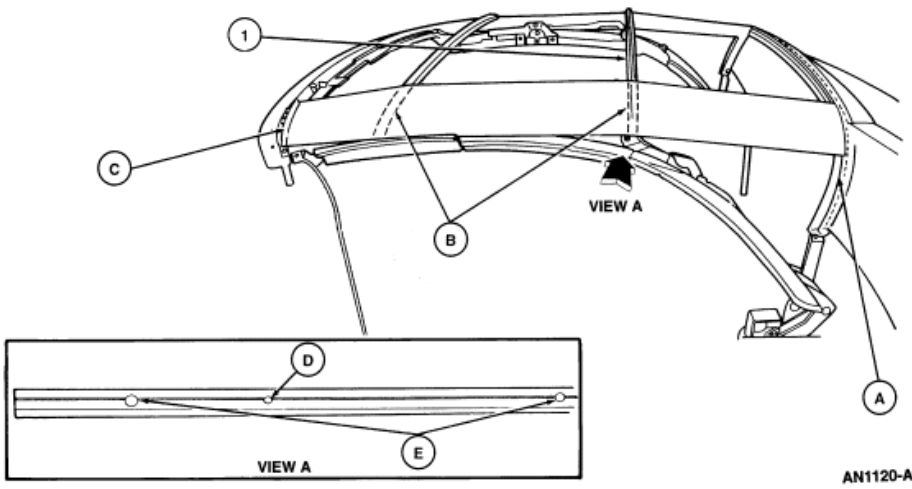


16. If necessary, remove folding top back window curtain (52500) and folding top stay pad case (54213) as described.

Installation

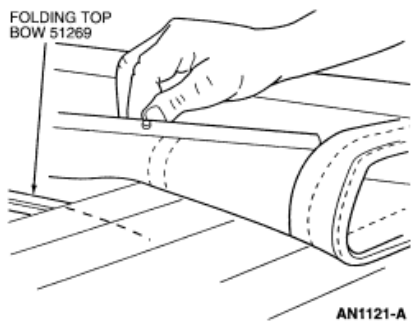
1. Install softening pad on top of tacking strip at folding top header pad .
2. Install folding top stay pad cases on each side as described, if removed.

Convertible Top Frame

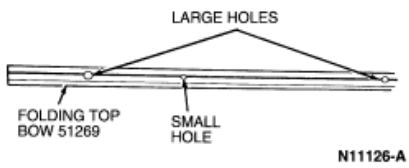
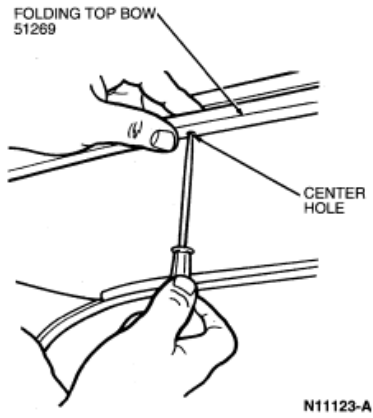


Item	Part Number	Description
1	51274	Folding Top Front Number 3 Bow
A	—	Install Softening Pad Here, Covered By 25 mm (1 inch) Foam Strip
B	—	Install 25 mm (1 inch) Foam Strip Here
C	—	Install Softening Pad Here
D	—	Small Hole
E	—	Large Holes

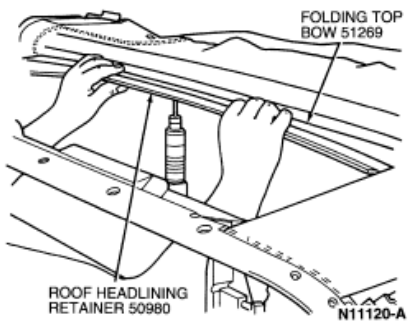
3. Position roof outside cover onto frame. Position the roof listing sleeve under the number 2 bow. Lock the roof listing sleeve onto the number 2 bow with the number 2 headliner retainer.



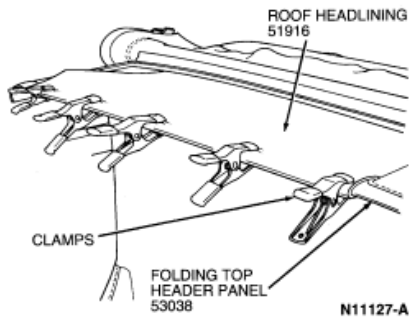
4. Center listing sleeve on the bottom of the folding top front number 2 bow.



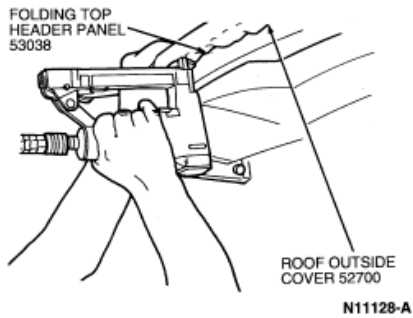
5. Position roof headlining along folding top bow and install five retaining screws.



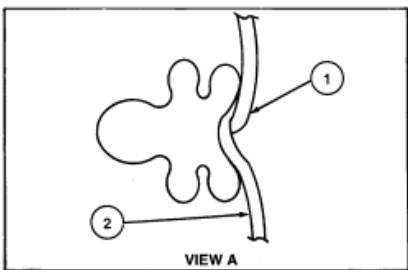
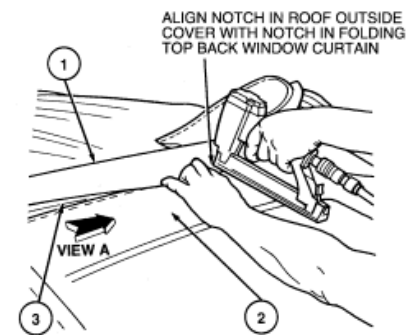
6. Pull roof headlining over top of folding top header panel (53038) and clamp in position.



7. Staple roof headlining to underside of folding top header panel .



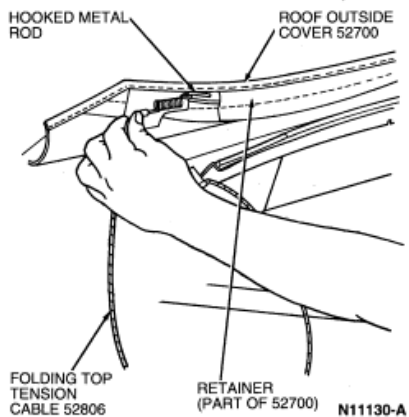
8. Align center hole in folding top retainer with V-notch in folding top back window curtain and staple onto folding top rear number 4 bow working from the center outward on each side.



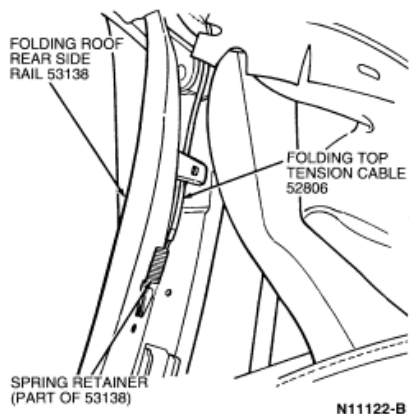
N11129-B

Item	Part Number	Description
1	52700	Roof Outside Cover
2	52500	Folding Top Back Window Curtain
3	51278	Folding Top Rear Number 4 Bow

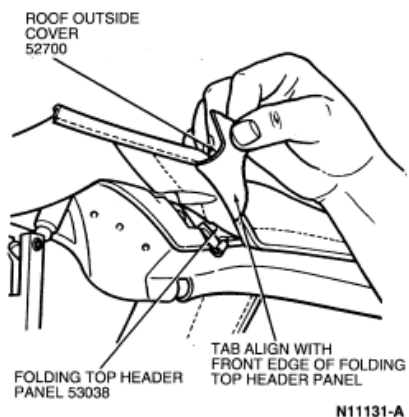
9. Raise folding top about 30 cm (12 inches). Using a metal rod with a hooked end, pull folding top tension cable through retainer in roof outside cover .



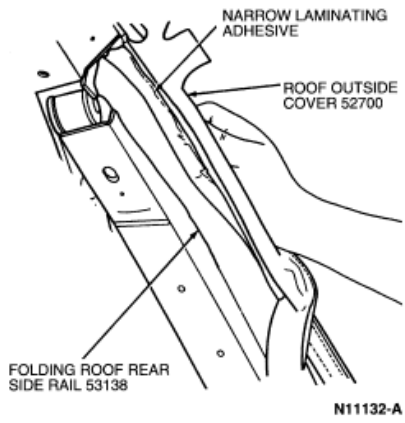
10. Route folding top tension cable through guide on folding roof rear side rail . Engage end of cable over spring retainer and press retainer down to retain folding top tension cable to folding roof rear side rail .



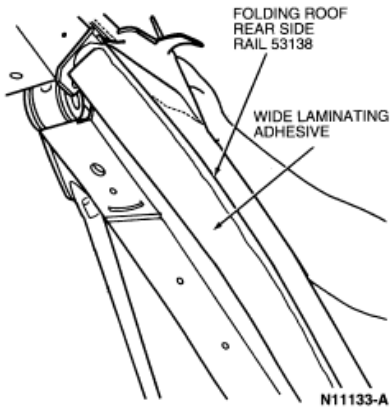
11. Lower top and engage folding top hold down clamps (50508) . Pull roof outside cover forward until tab aligns with forward edge of folding top header panel . Fold tab under folding top header panel and clamp into position.



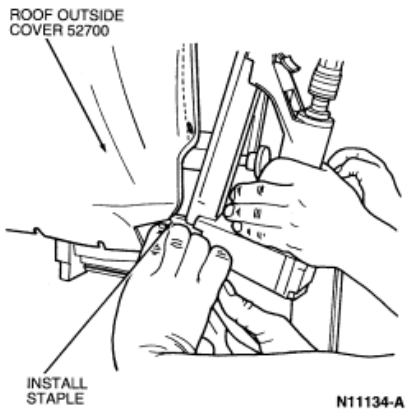
12. Align end of narrow laminating adhesive with top of folding roof rear side rail and install along outer side of folding top rear rail seal and retainer (51558) .



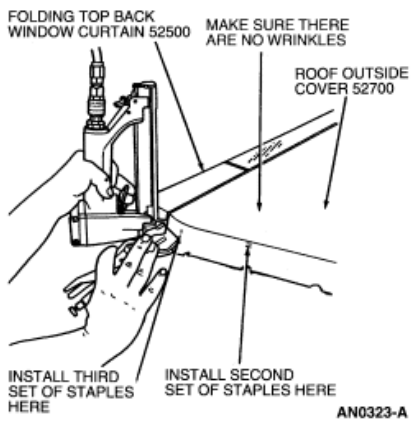
13. Align end of wide laminating adhesive with top of folding roof rear side rail and install along bottom of folding top rear rail seal and retainer .



14. Stretch one side of rear of roof outside cover and align front edge of roof outside cover with side tacking strip. While stretching the roof outside cover , it should be pulled in such a way so the binding stitch lines fit to the folding roof rear side rail . Install staples.

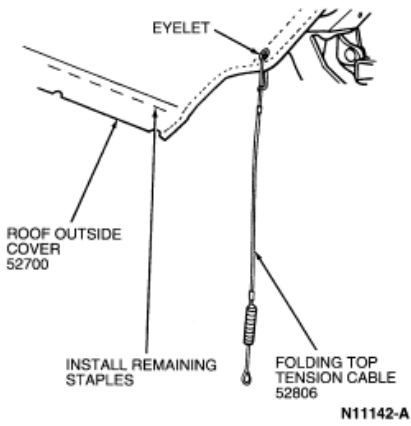


15. Install staples at end of side tacking strip. Install rear of roof outside cover to rear tacking strip with staples. Make sure there are no wrinkles in roof outside cover .

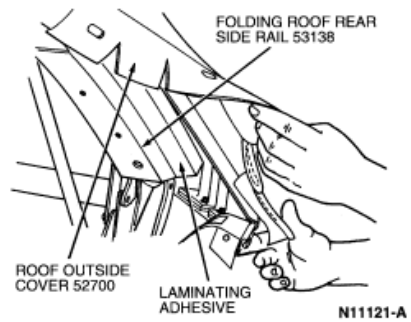


16. Install remaining staples along bottom of roof outside cover making sure there are no wrinkles in the roof outside cover .

17. Install folding top tension cable in eyelet in roof outside cover .

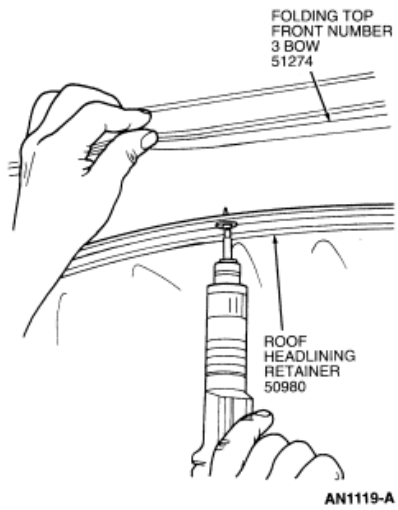


18. Stretch side of roof outside cover and fold tabs over onto laminating adhesive in folding top rear rail seal and retainer in folding roof rear side rail .

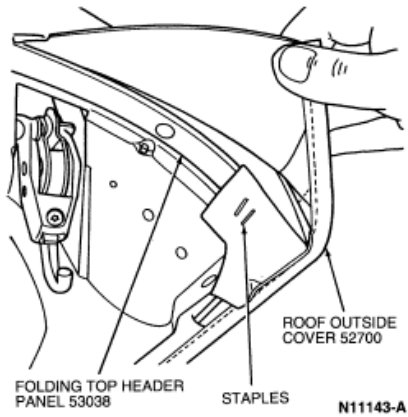


19. Repeat Steps 12 through 18 for other side.

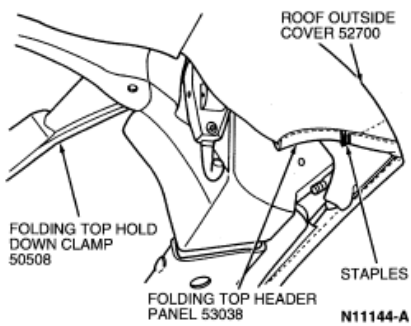
20. Position cloth retainer on inside of roof outside cover to folding top front number 3 bow . Then position roof headlining retainer (50980) on roof headlining to folding top front number 3 bow and install five retaining screws.



21. Staple the flap at the front of the roof outside cover to tacking strip on underside of folding top header panel . Make sure front edge of flap aligns with front edge of folding top header panel .



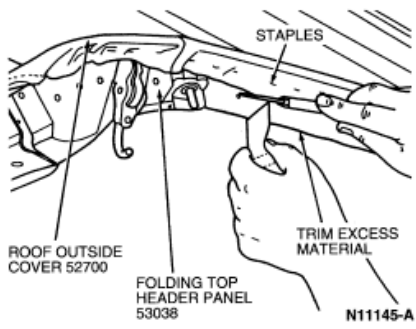
22. Pull the front corner of the roof outside cover over the folding top header panel and staple to the tacking strip.



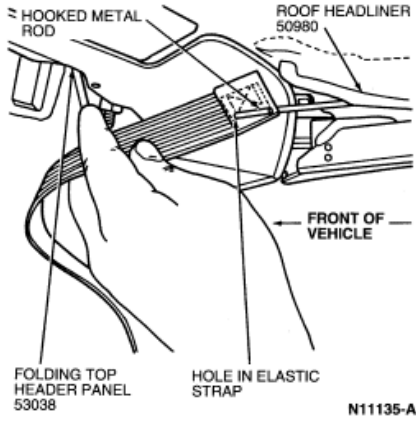
23. Repeat Steps 21 and 22 on the other side.

24. Latch the folding top.

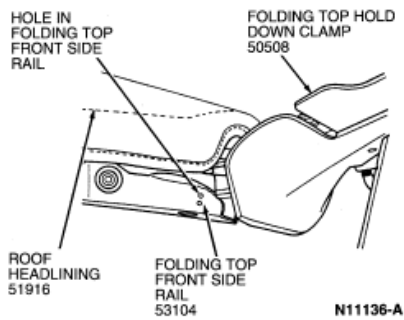
25. While pulling on the center of the roof outside cover , staple the material to the tacking strip on the underside of the folding top header panel . Make sure there are no wrinkles in the roof outside cover . After the roof outside cover is stapled, trim off any excess roof outside cover .



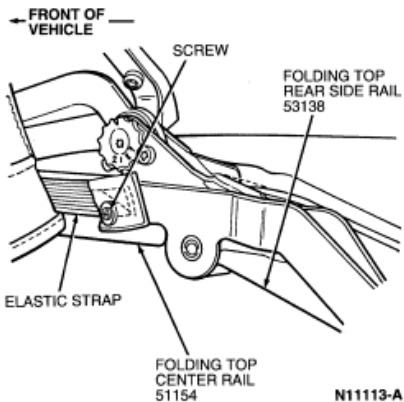
26. Install roof headlining elastic straps into roof headlining using a metal rod with a hook. Make sure the end with the hole toward the elastic is installed toward the back and that the hole is on the bottom of the strap.



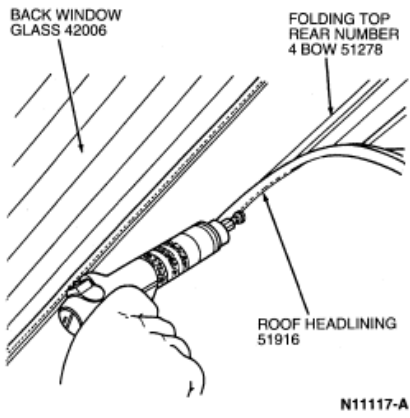
27. Install screw through roof headlining and the forward hole in the elastic strap. Install the screw in the hole in the folding top front side rail (53104).



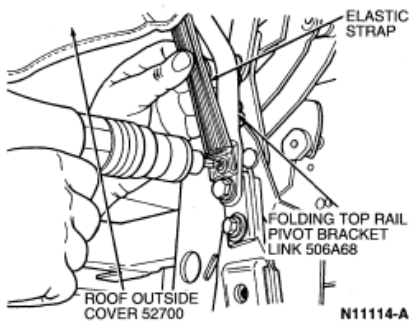
28. Position a screw in the rear of the elastic strap and attach the strap to the rear of the folding top center rail (51154) just in front of the pivot.



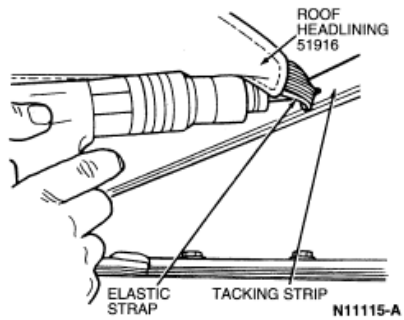
29. Position the roof headlining retainer to the rear of the folding top rear number 4 bow and install seven screws.



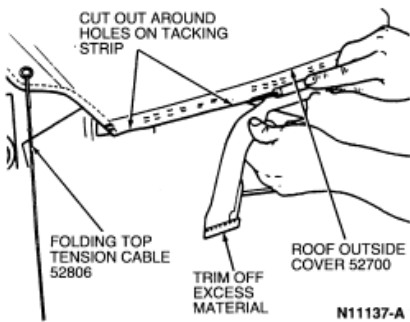
30. Insert a screw through the front strap on the side of the roof headlining and install the screw in the folding top rail pivot bracket link .



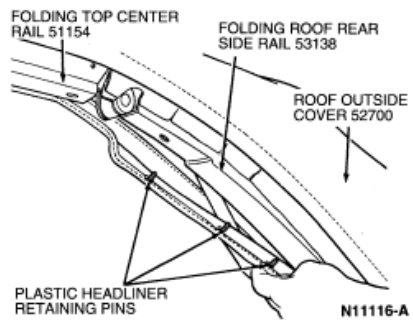
31. Insert a screw through the rear strap on the side of the roof headlining and install the screw in the rear tacking strip below the back window glass (42006) .



32. Trim the excess roof outside cover along the rear tacking strips. Trim the roof outside cover around the tacking strip mounting holes (19 places).



33. Engage the roof headlining retainers in the holes in the folding roof rear side rail .



34. Attach the folding top header panel trim panel with 13 screws.

