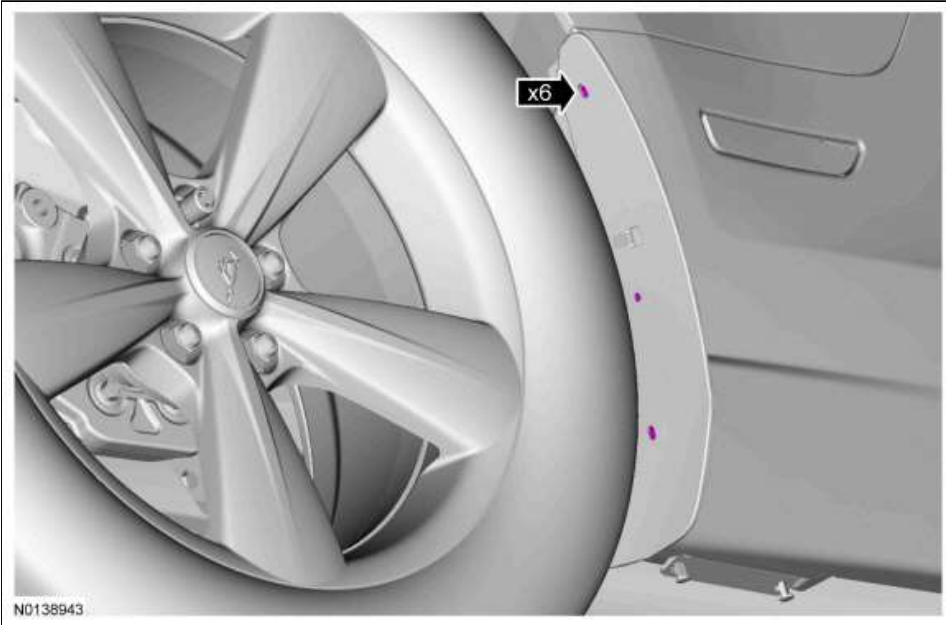


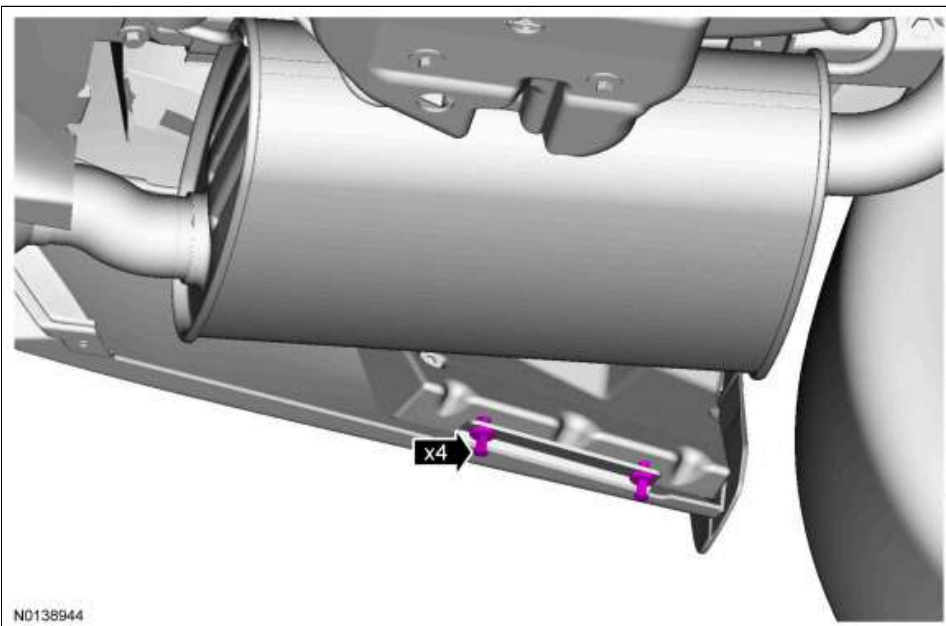
### Bumper Cover — Rear

#### Removal

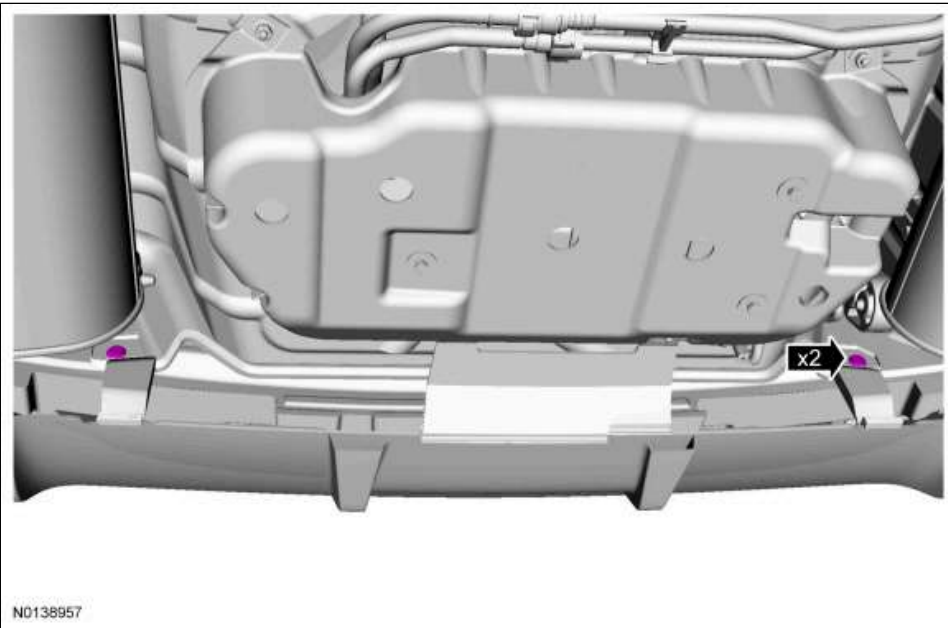
1. With the vehicle in NEUTRAL, position it on a hoist. Refer to [Section 100-02](#).
2. Remove the luggage compartment rear trim panel.
3. On each side.
  - To install, tighten to 3.2 Nm (28 lb-in).



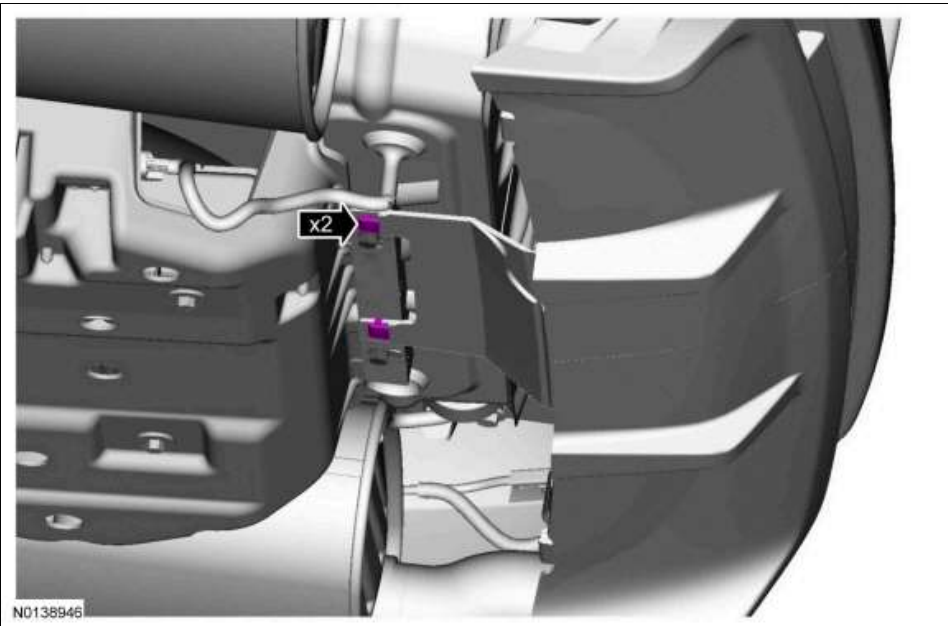
4. On each side.



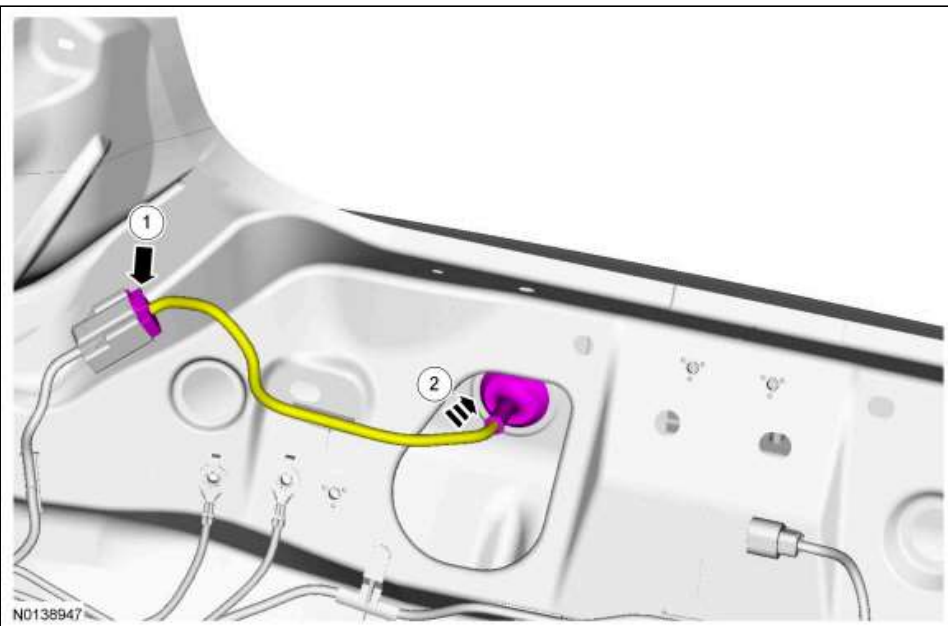
- 5.



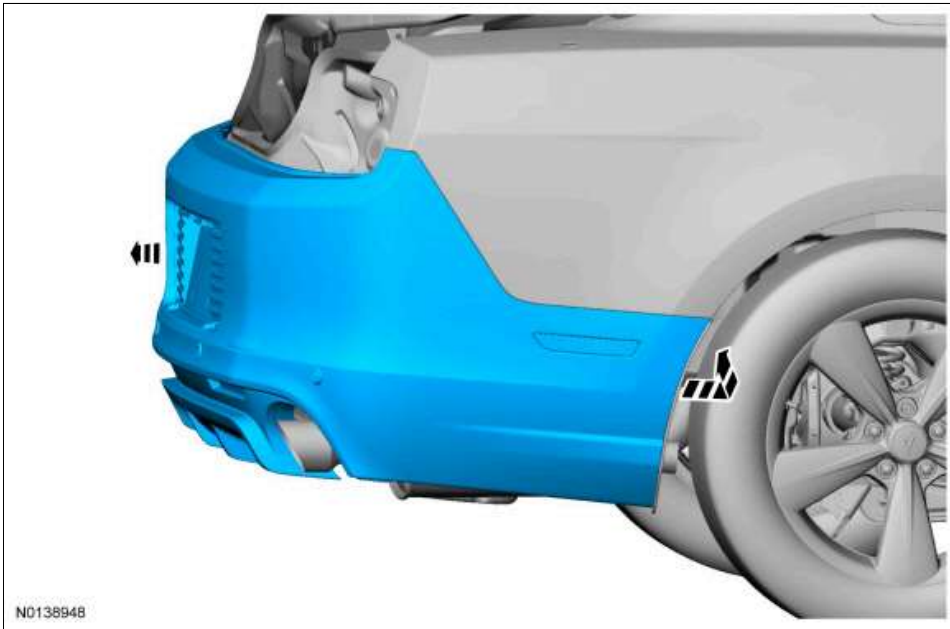
6.



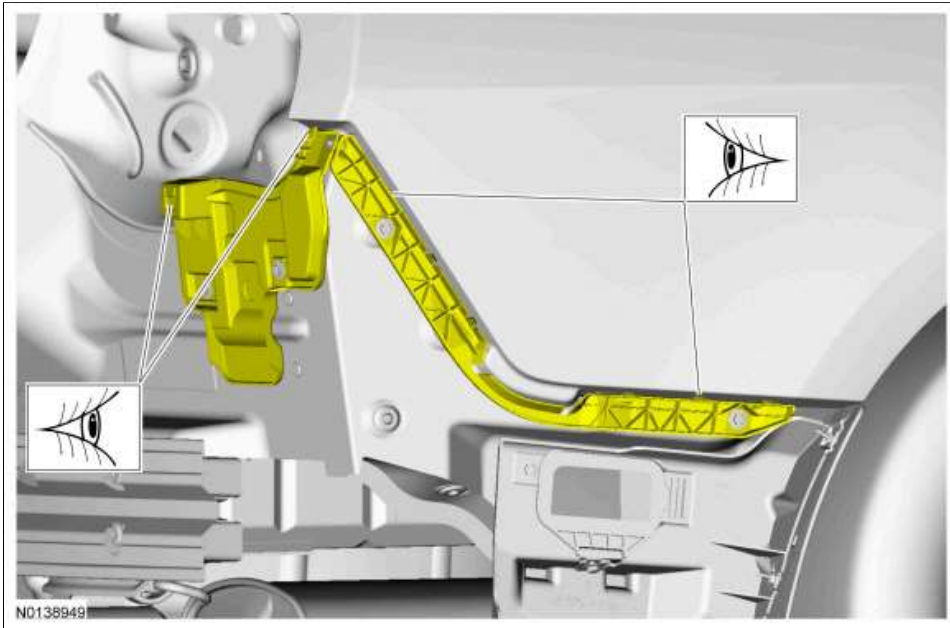
7. Feed the wiring harness through the rear of the vehicle.



8.

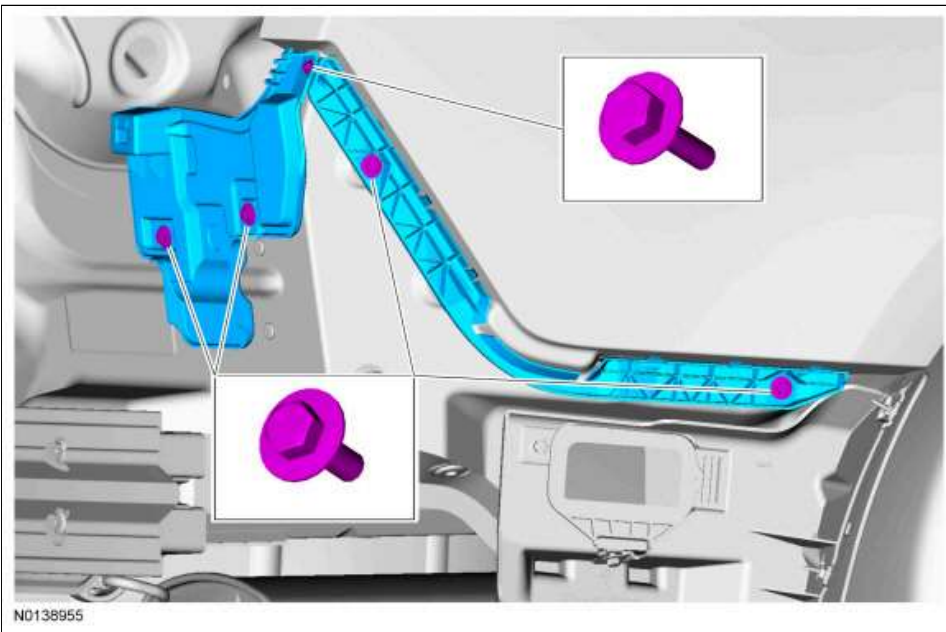


9.



10. **NOTE:** *If required.*

To install, tighten the rear bumper cover reinforcement-to-body bolts to 25 Nm (18 lb-ft).



**Installation**

1. To install, reverse the removal procedure.