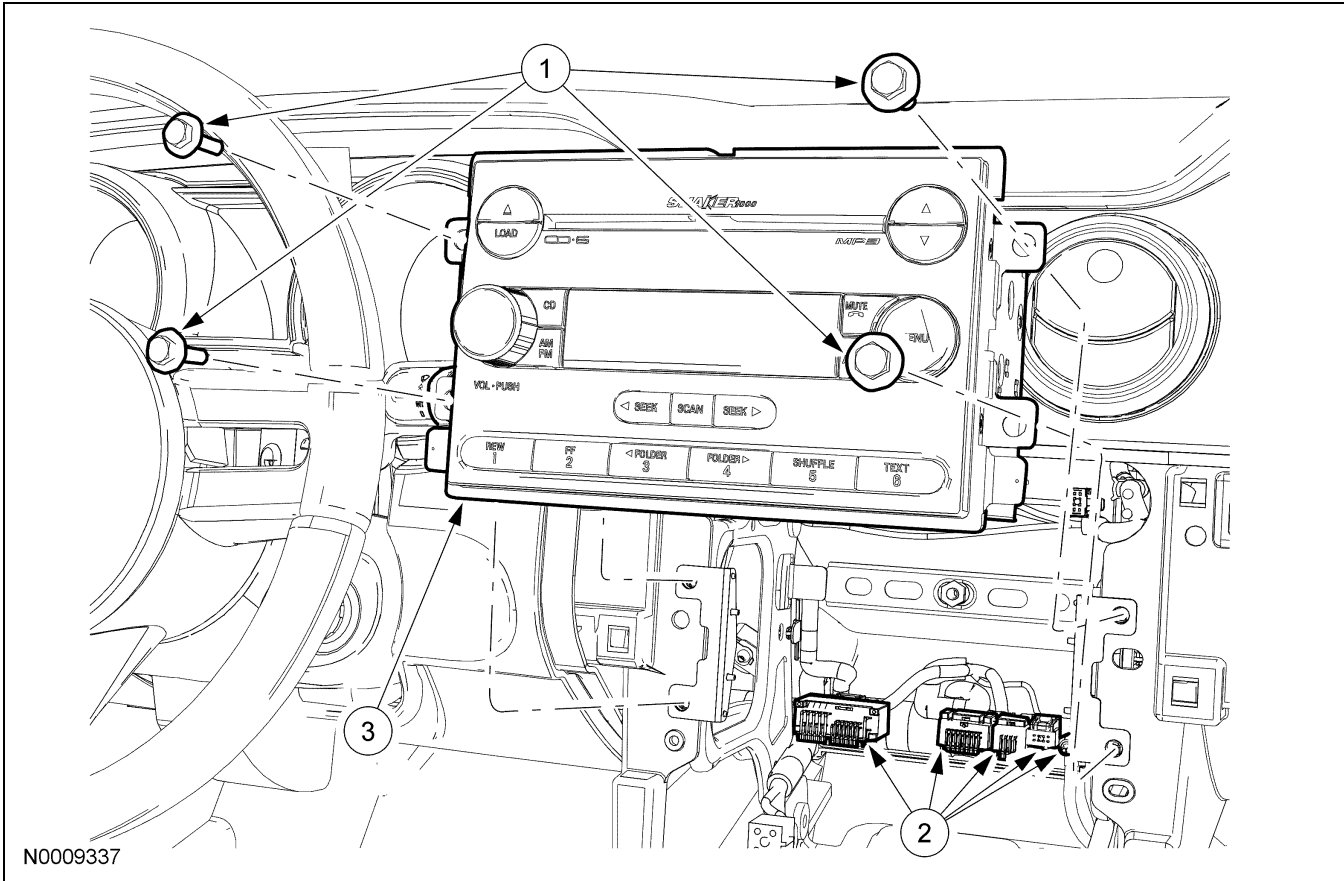


REMOVAL AND INSTALLATION

Audio Unit



Item	Part Number	Description
1	W705314S	Audio unit screws (4 required)
2	14401	Audio unit electrical connectors
3	18C815	Audio unit

Removal and Installation

NOTE: If installing a new navigation audio unit, remove the navigation digital versatile disc (DVD), if possible, before sending the audio unit to an authorized audio system repair facility.

- NOTE:** Module configuration is only required if a new audio unit is being installed.

Upload the audio unit configuration information to the scan tool. For additional information, refer to Section 418-01, to carry out programmable module installation (PMI).

- Remove the instrument panel center finish panel. For additional information, refer to Section 501-12.
- Remove the 4 screws and the audio unit.
 - Disconnect the electrical connectors and the antenna lead-in cable.
- To install, reverse the removal procedure.
 - Download the configuration information to the audio unit. For additional information, refer to Section 418-01, to carry out PMI.