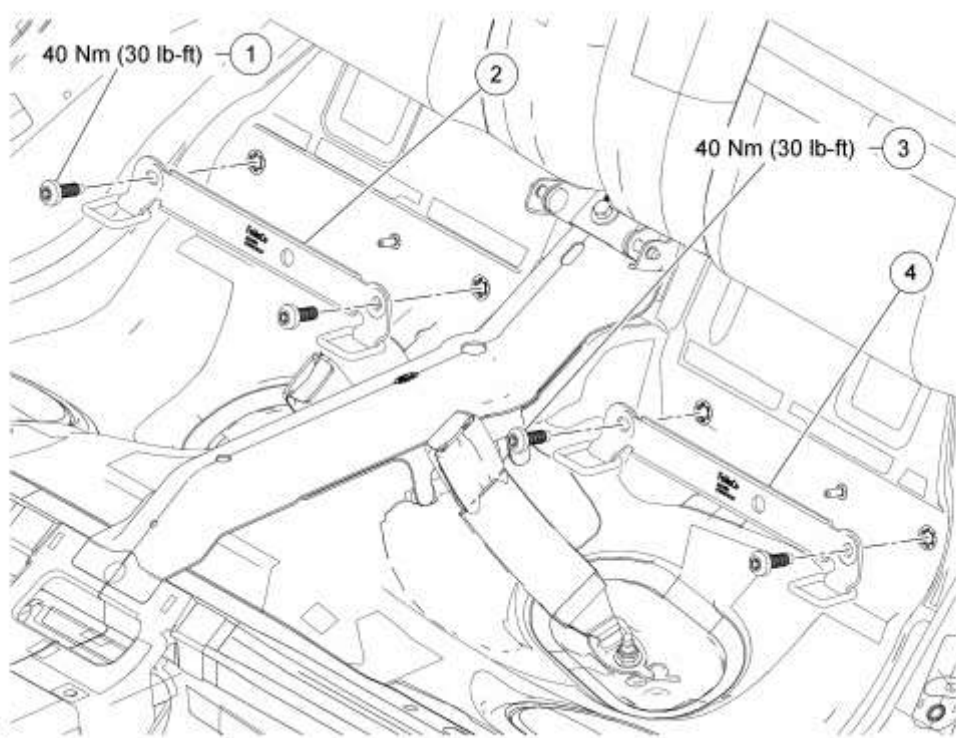


Child Safety Seat Tether Anchor — LATCH



Item	Part Number	Description
1	W700833	Lower anchors and tethers for children bolt
2	601B28	Lower anchors and tethers for children
3	W700833	Lower anchors and tethers for children bolt
4	601B28	Lower anchors and tethers for children

Removal and Installation

1. Remove the rear seat cushion. For additional information, refer to [Section 501-10](#).
2. Remove the 2 lower anchors and tethers for children bolts.
 - To install, tighten to 40 Nm (30 lb-ft).
3. Remove the lower anchors and tethers for children attachment.
 - When installing, make sure the lower anchors and tethers for children is positioned with the locator pin going through the hole provided in the lower anchors and tethers for children attachment.
4. **NOTE:** Before installation, make sure the safety belt webbing is not twisted and the safety belts and buckles are accessible to the occupants.

To install, reverse the removal procedure.

