

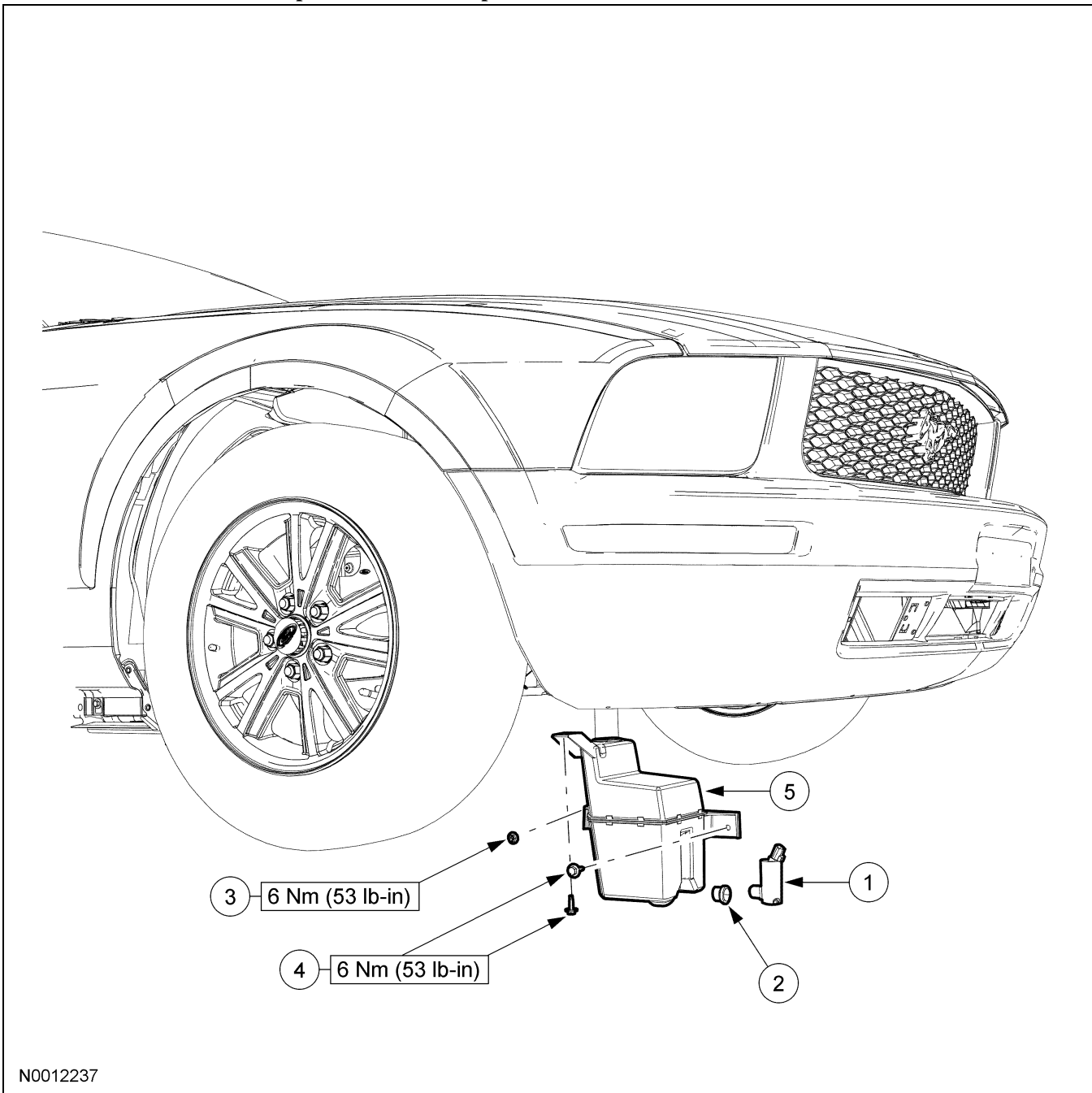
## REMOVAL AND INSTALLATION

### Windshield Washer Pump and Reservoir

#### Material

Item	Specification
Premium Windshield Washer Concentrate ZC-32A, B, or C	WSB-M8B16-A2


#### Windshield Washer Fluid Pump and Reservoir Exploded View



**REMOVAL AND INSTALLATION (Continued)**

Item	Part Number	Description
1	17664	Windshield washer pump (or part of 17618)
2	17B618	Windshield washer pump seal (or part of 17664)
3	W702751-S	Windshield washer fluid reservoir nut
4	W505422-S	Windshield washer fluid reservoir bolts (2 required)
5	17618	Windshield washer fluid reservoir (includes 17664 and 17B618)

**Removal and Installation****Windshield Washer Pump or Reservoir**

 **WARNING:** Windshield washer solution contains methanol, which is poisonous and flammable. Observe all cautions and warnings indicated on the label of the washer solution container. Failure to follow these instructions could result in personal injury.

1. With the vehicle in NEUTRAL, position it on a hoist. For additional information, refer to Section 100-02.

2. Disconnect windshield washer pump hose and drain the windshield washer solvent.
3. Disconnect the windshield washer pump electrical connector.


**Washer Pump Only**

4. Remove the washer pump.

**Washer Fluid Reservoir**

5. Remove the 2 windshield washer fluid reservoir bolts.
  - To install, tighten to 6 Nm (53 lb-in).
6. Remove the nut and the windshield washer fluid reservoir.
  - To install, tighten to 6 Nm (53 lb-in).

**Windshield Washer Pump or Reservoir**

7.  **CAUTION:** Do not operate the windshield washer pump prior to filling the windshield washer reservoir.

To install, reverse the removal procedure.